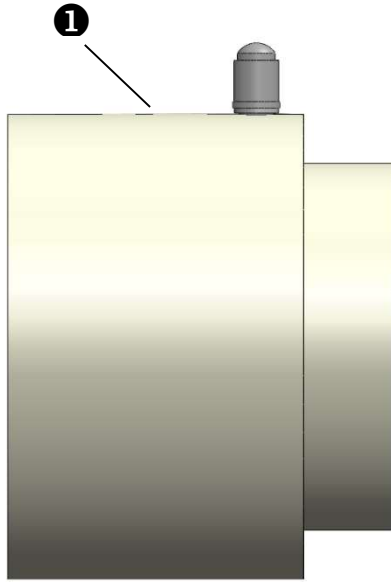


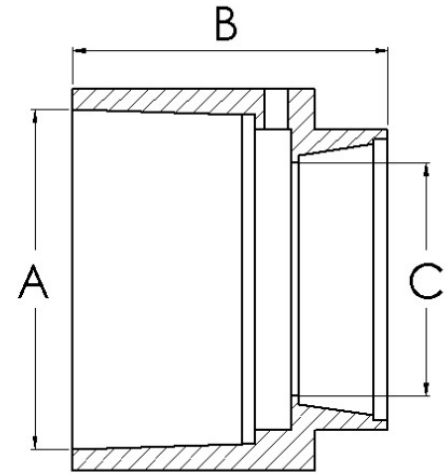
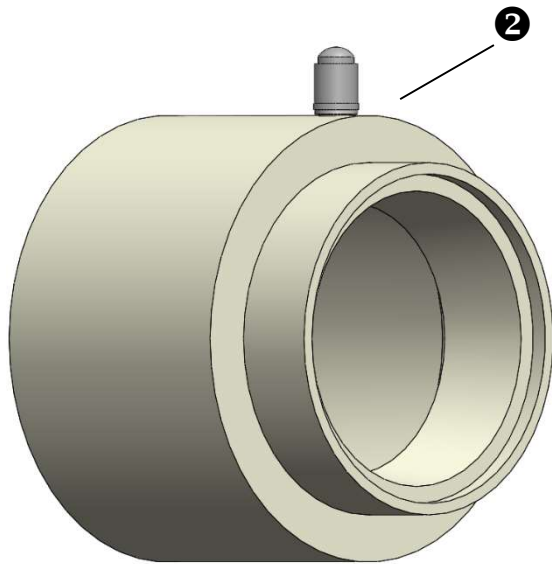
## “Better By Design”

### Fiberglass Terminating Test Reducers

#### TECHNICAL DATA SHEET



- 1** Fiberglass Terminating and Test Reducers are used to terminate the secondary pipe to the primary pipe in a double wall piping system.
- 2** Diversified Test Reducers incorporate a Series 300 Stainless air test valve manufactured in the US by Diversified. Both terminating and test reducers are made out of proprietary blend of fiberglass material, and are suitable for testing up to 35 PSIG.
- 3** Crossover fittings allow two interstices to be connected for continuous testing. Tubing is vinyl, suitable for fuel environments. Bicycle end fittings are Series 300 all stainless, and manufactured in the US by Diversified.



Part Number	A	B	C
PF-FGR 2.7x2.4 ASS	2.65	3.25	2.40
PF-FGR 3.6x2.4 ASS	3.55	3.25	2.40
PF-FGR 3.8x3.6 ASS	3.72	3.25	3.55
PF-FGR 4.5x3.6 ASS	4.50	3.25	3.55

#### THIRD PARTY APPROVALS



EQ-742 EQ-801 EQ-836

#### PRODUCTS USED ON THIS PROJECT

	Yes	No		
<b>1</b>	<input type="checkbox"/>	<input type="checkbox"/>	Terminating Reducer	PF-FGR _____
<b>2</b>	<input type="checkbox"/>	<input type="checkbox"/>	Test Reducer	PF-FGR _____
<b>3</b>	<input type="checkbox"/>	<input type="checkbox"/>	Two Foot Crossover	PF-Xover-2ft-S