

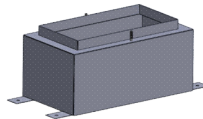
Wayne Select



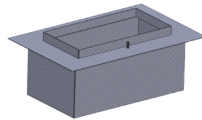
7200 Series

Under Dispenser Containment

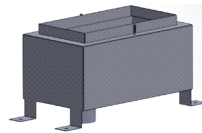
Surface Mounted



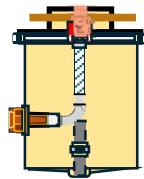
Flush Mounted



Pedestal Mounted



Below Grade



For all your under dispenser
containment needs.

Stainless Steel
Powder Coated
Fiberglass

Sensor Mtg Brackets
Alarm Sensors

Bare Sumps
Factory Fabricated Complete Sumps





TOC

Wayne Select Above Ground Under Dispenser Containment Catalog Table of Contents



Contact Us

Product Introduction	Page 4
Guide to Select Under Dispenser Containment	Page 5
Price List	
One Product Line 3/G7200 Series	
Flush Mounted Stainless & Powder Coated Carbon Steel Side & End Outlet	Page 6
Pedestal Mounted Stainless & Powder Coated Carbon Steel Side & End Outlet	Page 7
Surface Mounted Stainless & Powder Coated Carbon Steel Side & End Outlet	Page 8
Below Grade Fiberglass UDC	Page 9
Two Product Line 3/G7203D & 3/G7208D Series	
Flush Mounted Stainless & Powder Coated Carbon Steel Side & End Outlet	Page 10
Pedestal Mounted Stainless & Powder Coated Carbon Steel Side & End Outlet	Page 11
Surface Mounted Stainless & Powder Coated Carbon Steel Side & End Outlet	Page 12
Below Grade Fiberglass UDC	Page 13
Two Product line 3/G7203P & 3/G7208P Series	
Flush Mounted Stainless & Powder Coated Carbon Steel Side & End Outlet	Page 14
Pedestal Mounted Stainless & Powder Coated Carbon Steel Side & End Outlet	Page 15
Surface Mounted Stainless & Powder Coated Carbon Steel Side & End Outlet	Page 16
Below Grade Fiberglass UDC	Page 17
Stand Alone Components - Stainless Sumps w/rail +	Page 18
Stand Alone Components - Fiberglass Sumps & Penetrations +	Page 19
Accessories	Page 20
Data Sheets	
Surface Mounted UDC's	Page 21 & 22
Pedestal Mounted UDC's	Page 23 & 24
Flush Mounted UDC's	Page 25 & 26
Below Grade UDC's	Page 27 & 28
Fiberglass Penetrations Hex Head	Page 29 & 30
Fiberglass Penetrations Threaded	Page 31 & 32
Fiberglass Penetrations Compact for Rigid Pipe	Page 33 & 34
Fiberglass Penetrations Compact for Flex Pipe	Page 35 & 36
Fiberglass Penetrations Compact for Semi Rigid Pipe	Page 37 & 38
Sanding Hole Saws	Page 39 & 40
Engineering Drawings Basic Sumps without Plumbing or Electrical	
Basic Sumps Surface Mounted, Pedestal Mounted and Flush Mounted.	Page 41

Engineered Drawings Wayne Select 7200 Series 1 Line

Flush Mounted Side Outlet 1 Line

Page 42

Flush Mounted End Outlet 1 Line

Page 43

Surface & Pedestal Mounted Side Outlet 1 Line

Page 44

Surface & Pedestal Mounted End Outlet 1 Line

Page 45

Below Grade Fiberglass Sump 1 Line

Page 46

Engineered Drawings Wayne Select 7200 "D" Series 2 Lines

Flush Mounted Side Outlet 2 Line

Page 47

Flush Mounted End Outlet 2 Line

Page 48

Surface & Pedestal Mounted Side Outlet 2 Line

Page 49

Surface & Pedestal Mounted End Outlet 2 Line

Page 50

Below Grade Fiberglass Sump Side Outlet 2 Line

Page 51

Below Grade Fiberglass Sump End Outlet 2 Line

Page 52

Engineered Drawings Wayne Select 7200 "P" Series 2 Lines

Flush Mounted Side Outlet 2 Line

Page 53

Flush Mounted End Outlet 2 Line

Page 54

Surface & Pedestal Mounted Side Outlet 2 Line

Page 55

Surface & Pedestal Mounted End Outlet 2 Line

Page 56

Below Grade Fiberglass Sump Side Outlet 2 Line

Page 57

Below Grade Fiberglass Sump End Outlet 2 Line

Page 58

Reference Data

Third party Approvals

Roundtable

Page 59

ND Eryou

Page 60 & 61

Chemicals Wizard for Penetrations

Page 62

Dare to Compare

Page 63

Terms & Warranty

Page 64

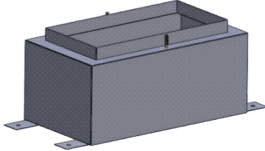
Contact Factory

Page 65

Wayne Select and Reliance Dispensers use the same footprint. This offering includes their 3/G7200 Electronic Commercial Dispensers. Select Dispensers for Master/Satellite applications are covered in the Truck Stop Catalog. Diversified has developed Under Dispenser Containment for all of the offered configurations in Surface Mounted, Pedestal Mounted, Flush Mounted UDC's and Below Grade UDC's. In addition to these basic configurations, DPM offers completely pre-manufactured units for both side outlet and end outlet applications. DPM's new pricing policies supports all customers from those that just want the sump to a host of options, all in a buffet style, allowing any configuration that the customer may need. Engineered drawings are available for all configurations. All Sumps are hydrostatically tested and all piping is pressure tested to 75 PSIG prior to leaving the factory.

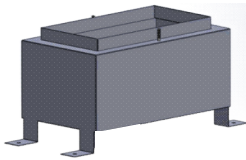
Surface Mounted

These UDC's are designed to match the outside profile of the Wayne Select Dispensers. A unique 1" tall rain lip keeps water from entering the UDC. These dispensers are manufactured out of 12 Gauge 304 stainless or powder coated steel. Rails and stabilizer bars may be ordered in either stainless or powder coated options. Shear valve selection is available in double poppet units with powder coating or stainless options. All UDC's are available with a welded stud for a sensor mounting bracket for Veeder Root "208" sensors. Brackets are available for other sensor diameters. Units can be provided with the alarm sensor installed or the sensor may be provided and installed by the customer. These UDC's come with 4" by 3" feet for mounting to the surface. 5/8" diameter holes are included in the feet for customer provided anchoring systems. Fiberglass Penetration fittings are available in 1 1/2" FPT or 2" FPT for direct piping to the fitting. Internal piping to the shear valve is all stainless. Standard units come with optional 3/4" (alarm) and 1" (power) rigid conduit couplings welded into the side of the UDC at locations specified by the customer.



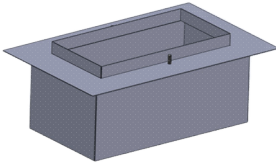
Pedestal Mounted

Pedestal mounted UDC's are available with all the options offered for surface mounted UDC's except the sump is provided with integral legs extended 2" above the feet. Pedestal Mounted units are usually installed where the surface is, or may become wet from time to time.



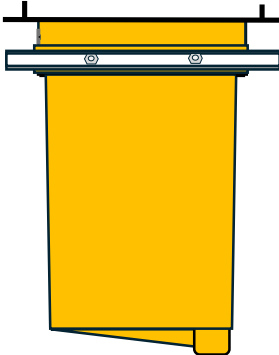
Flush Mounted

Flush mounted UDC's are available with all the options offered for surface mounted UDC's except there are no mounting feet. Flush mounted units are provided with a 3" wide flange. Flush mounted UDC's are usually installed in docks where the flange supports the UDC. The UDC may be welded to other support members in the field.



Below Grade

Below grade UDC's are manufactured using virgin fiberglass and isophthalic resins. Frames are made from the same fiberglass materials or are available in 16 gauge 304 stainless steel. Frames are slotted on one end to allow electrical components to be installed through the frame of the dispenser. Stabilizer bars and shear valves are available in powder coated or stainless options. Shear valves are double poppet. These under dispenser sumps have a sloping floor and alarm cup at one end of the sump. Rails are extended on each end of the sump for welding to structural steel or for direct burial in concrete. An alarm sensor bracket is available with a slip in feature for the sensor. Sumps are available with the sensor installed. Sensors may be provided and installed by the customer.



Under Dispenser Containment Options for Wayne Select Dispensers

Dispenser Selection	Sump Type			
	Surface Mount	Pedestal Mount	Flush Mount	Below Grade
<p>3G/7200 Series Basic Unit</p>	<p>Price List Data Sheet Engineering Dwgs</p>	<p>Price List Data Sheet Engineering Dwgs</p>	<p>Price List Data Sheet Engineering Dwgs</p>	<p>Price List Data Sheet</p>
<p>3G/7200 Series Side Outlet 1 Line</p>	<p>Price List Data Sheet Engineering Dwgs</p>	<p>Price List Data Sheet Engineering Dwgs</p>	<p>Price List Data Sheet Engineering Dwgs</p>	<p>Price List Data Sheet Engineering Dwgs</p>
<p>3G/7200 Series End Outlet 1 Line</p>	<p>Price List Data Sheet Engineering Dwgs</p>	<p>Price List Data Sheet Engineering Dwgs</p>	<p>Price List Data Sheet Engineering Dwgs</p>	<p>Price List Data Sheet Engineering Dwgs</p>
<p>3G/7200 Series Side Outlet 2 Lines "D" Series</p>	<p>Price List Data Sheet Engineering Dwgs</p>	<p>Price List Data Sheet Engineering Dwgs</p>	<p>Price List Data Sheet Engineering Dwgs</p>	<p>Price List Data Sheet Engineering Dwgs</p>
<p>3G/7200 Series End Outlet 2 Lines "D" Series</p>	<p>Price List Data Sheet Engineering Dwgs</p>	<p>Price List Data Sheet Engineering Dwgs</p>	<p>Price List Data Sheet Engineering Dwgs</p>	<p>Price List Data Sheet Engineering Dwgs</p>
<p>3G/7200 Series Side Outlet 2 Lines "P" Series</p>	<p>Price List Data Sheet Engineering Dwgs</p>	<p>Price List Data Sheet Engineering Dwgs</p>	<p>Price List Data Sheet Engineering Dwgs</p>	<p>Price List Data Sheet Engineering Dwgs</p>
<p>3G/7200 Series End Outlet 2 Lines "P" Series</p>	<p>Price List Data Sheet Engineering Dwgs</p>	<p>Price List Data Sheet Engineering Dwgs</p>	<p>Price List Data Sheet Engineering Dwgs</p>	<p>Price List Data Sheet Engineering Dwgs</p>

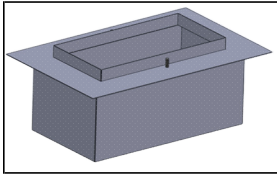


"Better by Design"

**UDC's for 3/G7200 Series Dispensers
Flush Mounted-Side Outlet or End Outlet**



Stainless Steel or Powder Coated Flush Mounted- Basic Sump With Rail, No Stabilizer Bar



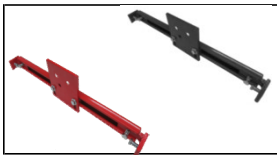
Part #	Description	List Price
ESWS-FM-SS	Flush Mounted Stainless No fittings or openings no rails for Stabilizer Bar	\$2,566.59
ESWS-FM-PC	Flush Mounted Powder Coated No fittings or openings no rails for Stabilizer Bar	\$1,722.42

Welded Couplings for Power or Alarm Wiring



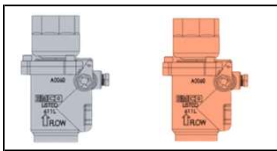
Part #	Description	List Price
SU-H72	3/4" Welded Stainless Coupling (installed)	\$62.85
SU-H73	1" Welded Stainless Coupling (Installed)	\$69.30
SU-H125	3/4" Welded Black Coupling- Powder Coated (installed)	\$55.89
SU-H126	1" Welded Black Coupling Powder Coated (Installed)	\$58.14

Stabilizer Bar Rails and Stabilizer Bar installed



Part #	Description	List Price
SU-SBA-17.5-SS	Stainless Unistrut Rails with Stainless Stabilizer Bar for standard Shear Valves (Installed)	\$339.15
SU-SBA-17.5-PC	Galvanized Unistrut Rails with Stainless Stabilizer Bar for standard Shear Valves all Powder Coated (installed)	\$190.53

Shear Valve Options Installed



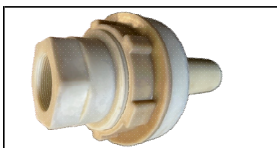
Part #	Description	List Price
SU-H70	Double Poppet Shear Valve 1 1/2" Stainless (Installed)	\$402.06
SU-H68	Double Poppet Shear Valve 1 1/2" Powder Coated (Installed)	\$273.15

Piping Installed



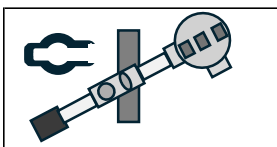
Part #	Description	List Price
SU-Piping-7200-SS-SO	Piping for Wayne Select Stainless Side Outlet (Installed)	\$237.42
SU-Piping-7200-SS-EO	Piping for Wayne Select Stainless End Outlet (Installed)	\$293.72
	Stainless Piping is standard for Stainless & Powder Coated Sumps	

Fiberglass Penetration Fittings



Part #	Description	List Price
PF-FGT-1.5FPTx2G	1 1/2" FPT Fiberglass Penetration Fitting with sanitary fitting to match piping. (Installed)	\$345.30
PF-FGT-2FPTx2G	2" FPT Fiberglass Penetration Fitting with sanitary fitting to match piping. (installed)	\$345.30

Electrical Alarm Sensor Options



Part #	Description	List Price
ES-EL-Kit	Electrical piping with Seal off, Unilet and sensor mounting Bracket (Installed) Sensor not included	\$597.81
ES-EL-208 Kit	Electrical piping with Seal off, Unilet and sensor mounting Bracket with VR 208 Sensor (Installed)	\$1,572.81

To calculate Total List Price put a "1" only in the box for the options required.
Note: on conduit couplings, put a check in all boxes requested.

\$3,243.24

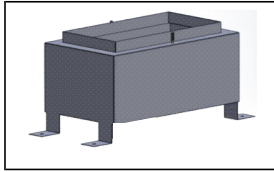


"Better by Design"

UDC's for 3/G7200 Series Dispensers
Pedestal Mounted-Side Outlet or End Outlet



Stainless Steel or Powder Coated Pedestal Mounted- Basic Sump With Rail, No Stabilizer Bar



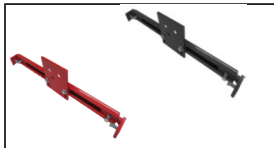
Part #	Description	List Price
ESWS-PM-SS	Flush Mounted Stainless No fittings or openings no rails for Stabilizer Bar	\$2,566.59
ESWS-PM-PC	Flush Mounted Powder Coated No fittings or openings no rails for Stabilizer Bar	\$1,722.42

Welded Couplings for Power or Alarm Wiring



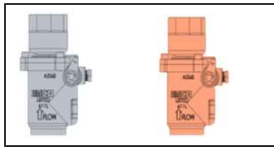
Part #	Description	List Price
SU-H72	3/4" Welded Stainless Coupling (installed)	\$62.85
SU-H73	1" Welded Stainless Coupling (Installed)	\$69.30
SU-H125	3/4" Welded Black Coupling- Powder Coated (installed)	\$55.89
SU-H126	1" Welded Black Coupling Powder Coated (Installed)	\$58.14

Stabilizer Bar Rails and Stabilizer Bar installed



Part #	Description	List Price
SU-SBA-17.5-SS	Stainless Unistrut Rails with Stainless Stabilizer Bar for standard Shear Valves (Installed)	\$339.15
SU-SBA-17.5-PC	Galvanized Unistrut Rails with Stainless Stabilizer Bar for standard Shear Valves all Powder Coated (installed)	\$190.53

Shear Valve Options Installed



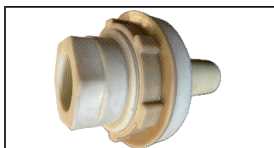
Part #	Description	List Price
SU-H70	Double Poppet Shear Valve 1 1/2" Stainless (Installed)	\$402.06
SU-H68	Double Poppet Shear Valve 1 1/2" Powder Coated (Installed)	\$273.15

Piping Installed



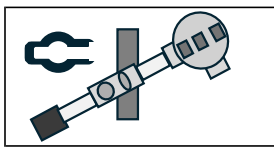
Part #	Description	List Price
SU-Piping-7200-SS-SO	Piping for Wayne Select Stainless Side Outlet (Installed)	\$237.42
SU-Piping-7200-SS-EO	Piping for Wayne Select Stainless End Outlet (Installed)	\$293.72
	Stainless Piping is standard for Stainless & Powder Coated Sumps	

Fiberglass Penetration Fittings



Part #	Description	List Price
PF-FGT-1.5FPTx2G	1 1/2" FPT Fiberglass Penetration Fitting with sanitary fitting to match piping. (Installed)	\$345.30
PF-FGT-2FPTx2G	2" FPT Fiberglass Penetration Fitting with sanitary fitting to match piping. (installed)	\$345.30

Electrical Alarm Sensor Options



Part #	Description	List Price
ES-EL-Kit	Electrical piping with Seal off, Unilet and sensor mounting Bracket (Installed) Sensor not included	\$597.81
ES-EL-208 Kit	Electrical piping with Seal off, Unilet and sensor mounting Bracket with VR 208 Sensor (Installed)	\$1,572.81

To calculate Total List Price put a "1" only in the box for the options required.
Note: on conduit couplings, put a check in all boxes requested.

\$3,243.24

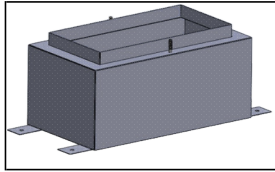


"Better by Design"

UDC's for 3/G7200 Series Dispensers
Surface Mounted-Side Outlet or End Outlet



Stainless Steel or Powder Coated Surface Mounted - Basic Sump With Rail, No Stabilizer Bar



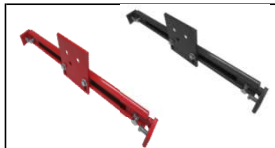
Part #	Description	List Price
ESWS-SM-SS	Surface Mounted Stainless No fittings or openings no rails for Stabilizer Bar	\$2,566.59
ESWS-SM-PC	Surface Mounted Powder Coated No fittings or openings no rails for Stabilizer Bar	\$1,722.42

Welded Couplings for Power or Alarm Wiring



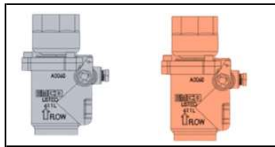
Part #	Description	List Price
SU-H72	3/4" Welded Stainless Coupling (installed)	\$62.85
SU-H73	1" Welded Stainless Coupling (Installed)	\$69.30
SU-H125	3/4" Welded Black Coupling- Powder Coated (installed)	\$55.89
SU-H126	1" Welded Black Coupling Powder Coated (Installed)	\$58.14

Stabilizer Bar Rails and Stabilizer Bar installed



Part #	Description	List Price
SU-SBA-17.5-SS	Stainless Unistrut Rails with Stainless Stabilizer Bar for standard Shear Valves (Installed)	\$339.15
SU-SBA-17.5-PC	Galvanized Unistrut Rails with Stainless Stabilizer Bar for standard Shear Valves all Powder Coated (installed)	\$190.53

Shear Valve Options Installed



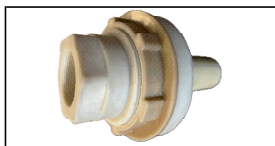
Part #	Description	List Price
SU-H70	Double Poppet Shear Valve 1 1/2" Stainless (Installed)	\$402.06
SU-H68	Double Poppet Shear Valve 1 1/2" Powder Coated (Installed)	\$273.15

Piping Installed



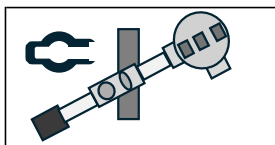
Part #	Description	List Price
SU-Piping-7200-SS-SO	Piping for Wayne Select Stainless Side Outlet (Installed)	\$237.42
SU-Piping-7200-SS-EO	Piping for Wayne Select Stainless End Outlet (Installed)	\$293.72
Stainless Piping is standard for Stainless & Powder Coated Sumps		

Fiberglass Penetration Fittings



Part #	Description	List Price
PF-FGT-1.5FPTx2G	1 1/2" FPT Fiberglass Penetration Fitting with sanitary fitting to match piping. (Installed)	\$345.30
PF-FGT-2FPTx2G	2" FPT Fiberglass Penetration Fitting with sanitary fitting to match piping. (installed)	\$345.30

Electrical Alarm Sensor Options



Part #	Description	List Price
ES-EL-Kit	Electrical piping with Seal off, Unilet and sensor mounting Bracket (Installed) Sensor not included	\$597.81
ES-EL-208 Kit	Electrical piping with Seal off, Unilet and sensor mounting Bracket with VR 208 Sensor (Installed)	\$1,572.81

To calculate Total List Price put a "1" only in the box for the options required.
Note: on conduit couplings, put a check in all boxes requested.

\$2,905.74

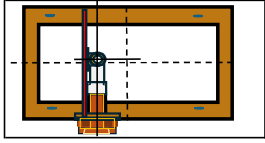


"Better by Design"

UDC's for 3/G7200 Series Dispensers
Below Grade Fiberglass UDC

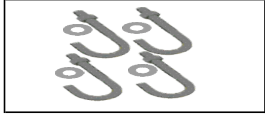


Fiberglass Sump - Basic Sump with Rail, No Stabilizer Bar



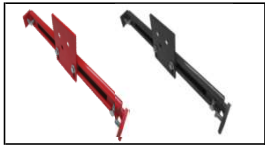
Part #	Description	List Price
ESWS-BG	Below Grade Fiberglass Sump 32"Long 20"Wide 32"Deep with Frame, Rails for Stabilizer Bar, drain to Alarm Cup	\$1,537.67
ESWS-BG-SS	Below Grade Fiberglass Sump 32"Long 20"Wide 32"Deep with SS Frame & SS Rails for Stabilizer Bar, drain to Alarm Cup	\$1,726.48

J Bolt Kit



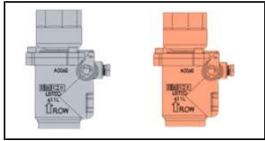
Part #	Description	List Price
SU-J Bolt-4	J Bolt Kit - 4 each 1/2" x 6" J Bolts Stainless	\$52.15
J Bolt Kits are shipped loose		

Stabilizer Bar Rails and Stabilizer Bar installed



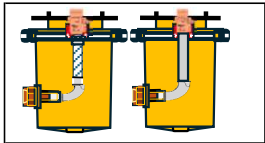
Part #	Description	List Price
SU-SBA-17.5-SS	Stainless Unistrut Rails with Stainless Stabilizer Bar for standard Shear Valves (Installed)	\$339.15
SU-SBA-17.5-PC	Galvanized Unistrut Rails with Stainless Stabilizer Bar for standard Shear Valves all Powder Coated (installed)	\$190.53

Shear Valve Options Installed



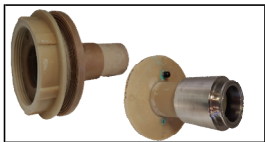
Part #	Description	List Price
SU-H70	Double Poppet Shear Valve 1 1/2" Stainless (Installed)	\$402.06
SU-H68	Double Poppet Shear Valve 1 1/2" Powder Coated (Installed)	\$273.15

Piping Installed



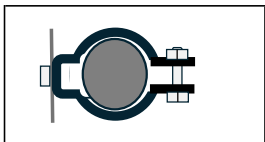
Part #	Description	List Price
SU-Piping-7200-SS-BGF	Piping, SS for below grade sump with Flex Connector	\$379.86
SU-Piping-7200-SS-BGH	Piping, SS for below grade sump hard piped	\$192.51
Note: All Piping components are stainless steel for either hard piped applications or for applications using a flex connector.		

Fiberglass Penetration Fittings



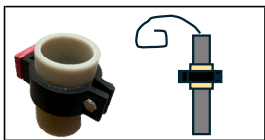
Part #	Description	List Price
PF-FGT-3x2G	3" over 2" FPT Fiberglass Penetration Fitting with Air Test and drain, sanitary fitting to match piping. (Installed)	\$345.30

Conduit Mounting Brackets



Part #	Description	List Price
SU-CMB-1.1	Conduit Mounting Bracket for 3/4" Rigid Conduits Shipped Loose	\$30.00
SU-CMB-1.4	Conduit Mounting Bracket for 1" Rigid Conduits Shipped Loose	\$30.00

Electrical Alarm Sensor Options



Part #	Description	List Price
SU-SMK-2.5x1.9	Pipe Clamp Assembly for VR 208 Sensor (Installed)	\$75.00
ES-EL-208 Kit	Electrical piping with Seal off, Unilet and sensor mounting Bracket with VR 208 Sensor (Installed)	\$1,572.81

To calculate Total List Price put quantity desired in the box for the options requested	\$2,704.16
---	-------------------

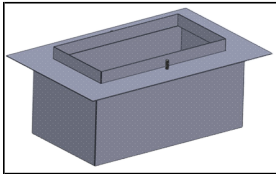


"Better by Design"

UDC's for 7203 & 7208 "D" Series Dispensers
Flush Mounted-Side Outlet or End Outlet



Flush Mounted



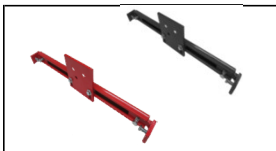
Part #	Description	List Price
ESWS-FM-SS-2L	Flush Mounted Stainless No fittings or openings no rails for Stabilizer Bar	\$2,813.50
ESWS-FM-PC-2L	Flush Mounted Powder Coated No fittings or openings no rails for Stabilizer Bar	\$1,722.42

Welded Couplings for Power or Alarm Wiring



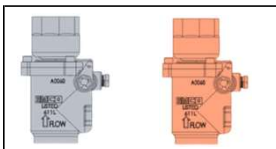
Part #	Description	List Price
SU-H72	3/4" Welded Stainless Coupling (installed)	\$62.85
SU-H73	1" Welded Stainless Coupling (Installed)	\$69.30
SU-H125	3/4" Welded Black Coupling- Powder Coated (installed)	\$55.89
SU-H126	1" Welded Black Coupling Powder Coated (Installed)	\$58.14

Stabilizer Bar Rails and Stabilizer Bar installed



Part #	Description	List Price
SU-SBA-17.5-SS	Stainless Unistrut Rails with Stainless Stabilizer Bar for standard Shear Valves (Installed)	\$339.15
SU-SBA-17.5-PC	Galvanized Unistrut Rails with Stainless Stabilizer Bar for standard Shear Valves all Powder Coated (installed)	\$190.53

Shear Valve Options Installed



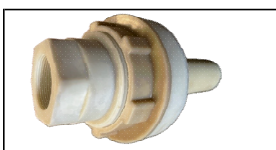
Part #	Description	List Price
SU-H70	Double Poppet Shear Valve 1 1/2" Stainless (Installed)	\$402.06
SU-H68	Double Poppet Shear Valve 1 1/2" Powder Coated (Installed)	\$273.15

Piping Installed



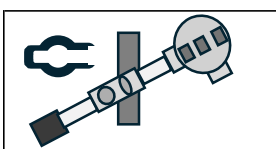
Part #	Description	List Price
SU-Piping-7200-SS-SO	Piping for Wayne Select Stainless Side Outlet (Installed)	\$237.42
SU-Piping-7200-SS-EO	Piping for Wayne Select Stainless End Outlet (Installed)	\$293.72
	Stainless Piping is standard for Stainless & Powder Coated Sumps	

Fiberglass Penetration Fittings



Part #	Description	List Price
PF-FGT-1.5FPTx2G	1 1/2" FPT Fiberglass Penetration Fitting with sanitary fitting to match piping. (Installed)	\$345.30
PF-FGT-2FPTx2G	2" FPT Fiberglass Penetration Fitting with sanitary fitting to match piping. (installed)	\$345.30

Electrical Alarm Sensor Options

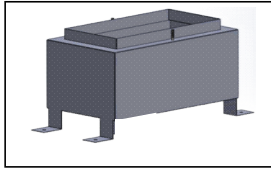


Part #	Description	List Price
ES-EL-Kit	Electrical piping with Seal off, Unilet and sensor mounting Bracket (Installed) Sensor not included	\$597.81
ES-EL-208 Kit	Electrical piping with Seal off, Unilet and sensor mounting Bracket with VR 208 Sensor (Installed)	\$1,572.81

To calculate Total List Price put a "1" only in the box for the options required.
Note: on conduit couplings, put a check in all boxes requested.

\$3,243.24

Pedestal Mounted



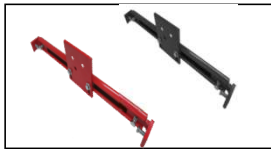
Part #	Description	List Price
ESWS-PM-SS-2L	Pedestal Mounted Stainless No fittings or openings no rails for Stabilizer Bar	\$2,746.17
ESWS-PM-PC-2L	Pedestal Mounted Powder Coated No fittings or openings no rails for Stabilizer Bar	\$1,722.42

Welded Couplings for Power or Alarm Wiring



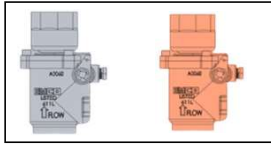
Part #	Description	List Price
SU-H72	3/4" Welded Stainless Coupling (installed)	\$62.85
SU-H73	1" Welded Stainless Coupling (Installed)	\$69.30
SU-H125	3/4" Welded Black Coupling- Powder Coated (installed)	\$55.89
SU-H126	1" Welded Black Coupling Powder Coated (Installed)	\$58.14

Stabilizer Bar Rails and Stabilizer Bar installed



Part #	Description	List Price
SU-SBA-17.5-SS	Stainless Unistrut Rails with Stainless Stabilizer Bar for standard Shear Valves (Installed)	\$339.15
SU-SBA-17.5-PC	Galvanized Unistrut Rails with Stainless Stabilizer Bar for standard Shear Valves all Powder Coated (installed)	\$190.53

Shear Valve Options Installed



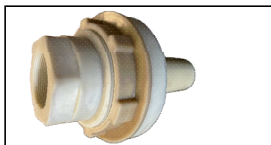
Part #	Description	List Price
SU-H70	Double Poppet Shear Valve 1 1/2" Stainless (Installed)	\$402.06
SU-H68	Double Poppet Shear Valve 1 1/2" Powder Coated (Installed)	\$273.15

Piping Installed



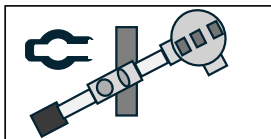
Part #	Description	List Price
SU-Piping-7200-SS-SO	Piping for Wayne Select Stainless Side Outlet (Installed)	\$237.42
SU-Piping-7200-SS-EO	Piping for Wayne Select Stainless End Outlet (Installed)	\$293.72
	Stainless Piping is standard for Stainless & Powder Coated Sumps	

Fiberglass Penetration Fittings



Part #	Description	List Price
PF-FGT-1.5FPTx2G	1 1/2" FPT Fiberglass Penetration Fitting with sanitary fitting to match piping. (Installed)	\$345.30
PF-FGT-2FPTx2G	2" FPT Fiberglass Penetration Fitting with sanitary fitting to match piping. (installed)	\$345.30

Electrical Alarm Sensor Options



Part #	Description	List Price
ES-EL-Kit	Electrical piping with Seal off, Unilet and sensor mounting Bracket (Installed) Sensor not included	\$597.81
ES-EL-208 Kit	Electrical piping with Seal off, Unilet and sensor mounting Bracket with VR 208 Sensor (Installed)	\$1,572.81

To calculate Total List Price put a "1" only in the box for the options required.
Note: on conduit couplings, put a check in all boxes requested.

\$3,243.24

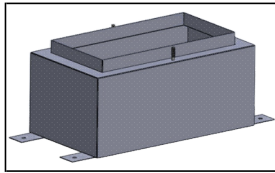


"Better by Design"

UDC's for 7203 & 7208 "D" Series Dispensers
Surface Mounted-Side Outlet or End Outlet



Pedestal Mounted



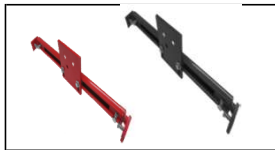
Part #	Description	List Price
ESWS-SM-SS-2L	Pedestal Mounted Stainless No fittings or openings no rails for Stabilizer Bar	\$2,746.17
ESWS-SM-PC-2L	Pedestal Mounted Powder Coated No fittings or openings no rails for Stabilizer Bar	\$1,722.42

Welded Couplings for Power or Alarm Wiring



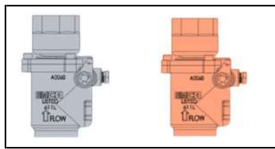
Part #	Description	List Price
SU-H72	3/4" Welded Stainless Coupling (installed)	\$62.85
SU-H73	1" Welded Stainless Coupling (Installed)	\$69.30
SU-H125	3/4" Welded Black Coupling- Powder Coated (installed)	\$55.89
SU-H126	1" Welded Black Coupling Powder Coated (Installed)	\$58.14

Stabilizer Bar Rails and Stabilizer Bar installed



Part #	Description	List Price
SU-SBA-17.5-SS	Stainless Unistrut Rails with Stainless Stabilizer Bar for standard Shear Valves (Installed)	\$339.15
SU-SBA-17.5-PC	Galvanized Unistrut Rails with Stainless Stabilizer Bar for standard Shear Valves all Powder Coated (installed)	\$190.53

Shear Valve Options Installed



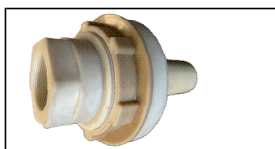
Part #	Description	List Price
SU-H70	Double Poppet Shear Valve 1 1/2" Stainless (Installed)	\$402.06
SU-H68	Double Poppet Shear Valve 1 1/2" Powder Coated (Installed)	\$273.15

Piping Installed



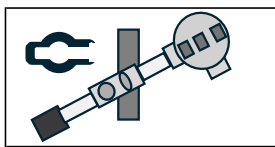
Part #	Description	List Price
SU-Piping-7200-SS-SO	Piping for Wayne Select Stainless Side Outlet (Installed)	\$237.42
SU-Piping-7200-SS-EO	Piping for Wayne Select Stainless End Outlet (Installed)	\$293.72
	Stainless Piping is standard for Stainless & Powder Coated Sumps	

Fiberglass Penetration Fittings



Part #	Description	List Price
PF-FGT-1.5FPTx2G	1 1/2" FPT Fiberglass Penetration Fitting with sanitary fitting to match piping. (Installed)	\$345.30
PF-FGT-2FPTx2G	2" FPT Fiberglass Penetration Fitting with sanitary fitting to match piping. (installed)	\$345.30

Electrical Alarm Sensor Options

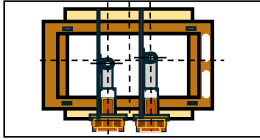


Part #	Description	List Price
ES-EL-Kit	Electrical piping with Seal off, Unilet and sensor mounting Bracket (Installed) Sensor not included	\$597.81
ES-EL-208 Kit	Electrical piping with Seal off, Unilet and sensor mounting Bracket with VR 208 Sensor (Installed)	\$1,572.81

To calculate Total List Price put a "1" only in the box for the options required.
Note: on conduit couplings, put a check in all boxes requested.

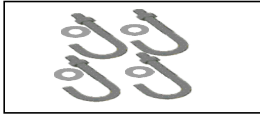
\$3,243.24

Sump



Part #	Description	List Price
ESWS-BG-2L	Below Grade Fiberglass Sump 24"Long 24"Wide 32"Deep with Frame, Rails for Stabilizer Bar, drain to Alarm Cup	\$1,537.67
ESWS-BG-SS-2L	Below Grade Fiberglass Sump 24"Long 24"Wide 32"Deep with SS Frame & SS Rails for Stabilizer Bar, drain to Alarm Cup	\$1,726.48

J Bolt Kit



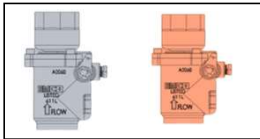
Part #	Description	List Price
SU-J Bolt-4	J Bolt Kit - 4 each 1/2" x 6" J Bolts Stainless	\$52.15
J Bolt Kits are shipped loose		

Stabilizer Bar Rails and Stabilizer Bar installed



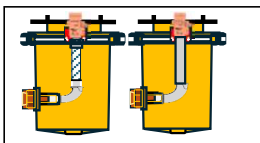
Part #	Description	List Price
SU-SBA-17.5-SS	Stainless Unistrut Rails with Stainless Stabilizer Bar for standard Shear Valves (Installed)	\$339.15
SU-SBA-17.5-PC	Galvanized Unistrut Rails with Stainless Stabilizer Bar for standard Shear Valves all Powder Coated (installed)	\$190.53

Shear Valve Options Installed



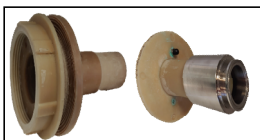
Part #	Description	List Price
SU-H70	Double Poppet Shear Valve 1 1/2" Stainless (Installed)	\$402.06
SU-H68	Double Poppet Shear Valve 1 1/2" Powder Coated (Installed)	\$273.15

Piping Installed



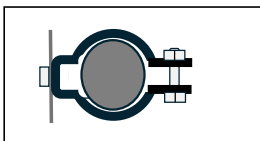
Part #	Description	List Price
SU-Piping-7200-SS-BGF	Piping, SS for below grade sump with Flex Connector	\$379.86
SU-Piping-7200-SS-BGH	Piping, SS for below grade sump hard piped	\$192.51
Note: All Piping components are stainless steel for either hard piped applications or for applications using a flex connector.		

Fiberglass Penetration Fittings



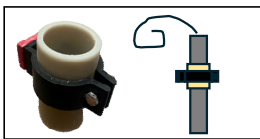
Part #	Description	List Price
PF-FGT-3x2G	3" over 2" FPT Fiberglass Penetration Fitting with Air Test and drain, sanitary fitting to match piping. (Installed)	\$345.30

Conduit Mounting Brackets



Part #	Description	List Price
SU-CMB-1.1	Conduit Mounting Bracket for 3/4" Rigid Conduits Shipped Loose	\$30.00
SU-CMB-1.4	Conduit Mounting Bracket for 1" Rigid Conduits Shipped Loose	\$30.00

Electrical Alarm Sensor Options



Part #	Description	List Price
SU-SMK-2.5x1.9	Pipe Clamp Assembly for VR 208 Sensor (Installed)	\$75.00
ES-EL-208 Kit	Electrical piping with Seal off, Unilet and sensor mounting Bracket with VR 208 Sensor (Installed)	\$1,572.81

To calculate Total List Price put quantity desired in the box for the options requested.	\$2,704.16
--	-------------------

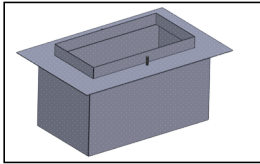


"Better by Design"

UDC's for 7203 & 7208 "P" Series Dispensers
Flush Mounted-Side Outlet or End Outlet



Flush Mounted



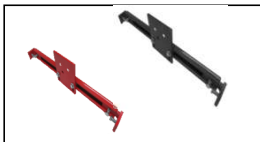
Part #	Description	List Price
ESWS-FM-SS-2L	Flush Mounted Stainless No fittings or openings no rails for Stabilizer Bar	\$2,813.50
ESWS-FM-PC-2L	Flush Mounted Powder Coated No fittings or openings no rails for Stabilizer Bar	\$1,722.42

Welded Couplings for Power or Alarm Wiring



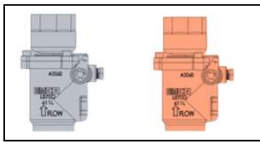
Part #	Description	List Price
SU-H72	3/4" Welded Stainless Coupling (installed)	\$62.85
SU-H73	1" Welded Stainless Coupling (Installed)	\$69.30
SU-H125	3/4" Welded Black Coupling- Powder Coated (installed)	\$55.89
SU-H126	1" Welded Black Coupling Powder Coated (Installed)	\$58.14

Stabilizer Bar Rails and Stabilizer Bar installed



Part #	Description	List Price
SU-SBA-17.5-SS	Stainless Unistrut Rails with Stainless Stabilizer Bar for standard Shear Valves (Installed)	\$339.15
SU-SBA-17.5-PC	Galvanized Unistrut Rails with Stainless Stabilizer Bar for standard Shear Valves all Powder Coated (installed)	\$190.53

Shear Valve Options Installed



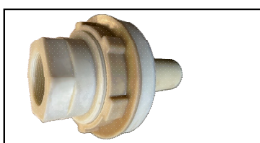
Part #	Description	List Price
SU-H70	Double Poppet Shear Valve 1 1/2" Stainless (Installed)	\$402.06
SU-H68	Double Poppet Shear Valve 1 1/2" Powder Coated (Installed)	\$273.15

Piping Installed



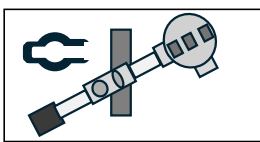
Part #	Description	List Price
SU-Piping-7200-SS-SO	Piping for Wayne Select Stainless Side Outlet (Installed)	\$237.42
SU-Piping-7200-SS-EO	Piping for Wayne Select Stainless End Outlet (Installed)	\$293.72
	Stainless Piping is standard for Stainless & Powder Coated Sumps	

Fiberglass Penetration Fittings



Part #	Description	List Price
PF-FGT-1.5FPTx2G	1 1/2" FPT Fiberglass Penetration Fitting with sanitary fitting to match piping. (Installed)	\$345.30
PF-FGT-2FPTx2G	2" FPT Fiberglass Penetration Fitting with sanitary fitting to match piping. (installed)	\$345.30

Electrical Alarm Sensor Options



Part #	Description	List Price
ES-EL-Kit	Electrical piping with Seal off, Unilet and sensor mounting Bracket (Installed) Sensor not included	\$597.81
ES-EL-208 Kit	Electrical piping with Seal off, Unilet and sensor mounting Bracket with VR 208 Sensor (Installed)	\$1,572.81

To calculate Total List Price put a "1" only in the box for the options required.
Note: on conduit couplings, put a check in all boxes requested.

\$3,243.24



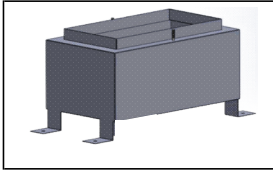
"Better by Design"

UDC's for 7203 & 7208 "P" Series Dispensers
Pedestal Mounted-Side Outlet or End Outlet



Contact Us

Pedestal Mounted



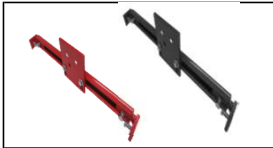
Part #	Description	List Price
ESWS-PM-SS-2L	Pedestal Mounted Stainless No fittings or openings no rails for Stabilizer Bar	\$2,746.17
ESWS-PM-PC-2L	Pedestal Mounted Powder Coated No fittings or openings no rails for Stabilizer Bar	\$1,722.42

Welded Couplings for Power or Alarm Wiring



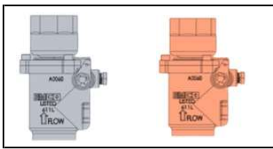
Part #	Description	List Price
SU-H72	3/4" Welded Stainless Coupling (installed)	\$62.85
SU-H73	1" Welded Stainless Coupling (Installed)	\$69.30
SU-H125	3/4" Welded Black Coupling- Powder Coated (installed)	\$55.89
SU-H126	1" Welded Black Coupling Powder Coated (Installed)	\$58.14

Stabilizer Bar Rails and Stabilizer Bar installed



Part #	Description	List Price
SU-SBA-17.5-SS	Stainless Unistrut Rails with Stainless Stabilizer Bar for standard Shear Valves (Installed)	\$339.15
SU-SBA-17.5-PC	Galvanized Unistrut Rails with Stainless Stabilizer Bar for standard Shear Valves all Powder Coated (installed)	\$190.53

Shear Valve Options Installed



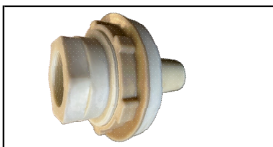
Part #	Description	List Price
SU-H70	Double Poppet Shear Valve 1 1/2" Stainless (Installed)	\$402.06
SU-H68	Double Poppet Shear Valve 1 1/2" Powder Coated (Installed)	\$273.15

Piping Installed



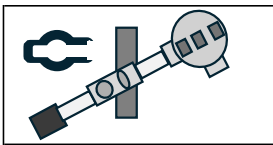
Part #	Description	List Price
SU-Piping-7200-SS-SO	Piping for Wayne Select Stainless Side Outlet (Installed)	\$237.42
SU-Piping-7200-SS-EO	Piping for Wayne Select Stainless End Outlet (Installed)	\$293.72
	Stainless Piping is standard for Stainless & Powder Coated Sumps	

Fiberglass Penetration Fittings



Part #	Description	List Price
PF-FGT-1.5FPTx2G	1 1/2" FPT Fiberglass Penetration Fitting with sanitary fitting to match piping. (Installed)	\$345.30
PF-FGT-2FPTx2G	2" FPT Fiberglass Penetration Fitting with sanitary fitting to match piping. (installed)	\$345.30

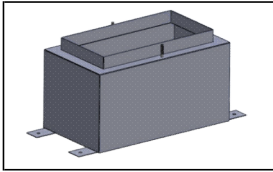
Electrical Alarm Sensor Options



Part #	Description	List Price
ES-EL-Kit	Electrical piping with Seal off, Unilet and sensor mounting Bracket (Installed) Sensor not included	\$597.81
ES-EL-208 Kit	Electrical piping with Seal off, Unilet and sensor mounting Bracket with VR 208 Sensor (Installed)	\$1,572.81

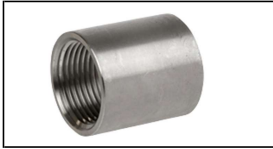
To calculate Total List Price put a "1" only in the box for the options required. Note: on conduit couplings, put a check in all boxes requested.	\$3,243.24
--	-------------------

Pedestal Mounted



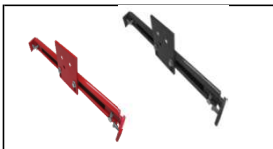
Part #	Description	List Price
ESWS-SM-SS-2L	Pedestal Mounted Stainless No fittings or openings no rails for Stabilizer Bar	\$2,746.17
ESWS-SM-PC-2L	Pedestal Mounted Powder Coated No fittings or openings no rails for Stabilizer Bar	\$1,722.42

Welded Couplings for Power or Alarm Wiring



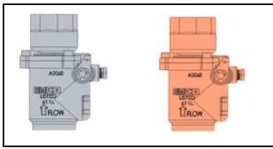
Part #	Description	List Price
SU-H72	3/4" Welded Stainless Coupling (installed)	\$62.85
SU-H73	1" Welded Stainless Coupling (Installed)	\$69.30
SU-H125	3/4" Welded Black Coupling- Powder Coated (installed)	\$55.89
SU-H126	1" Welded Black Coupling Powder Coated (Installed)	\$58.14

Stabilizer Bar Rails and Stabilizer Bar installed



Part #	Description	List Price
SU-SBA-17.5-SS	Stainless Unistrut Rails with Stainless Stabilizer Bar for standard Shear Valves (Installed)	\$339.15
SU-SBA-17.5-PC	Galvanized Unistrut Rails with Stainless Stabilizer Bar for standard Shear Valves all Powder Coated (installed)	\$190.53

Shear Valve Options Installed



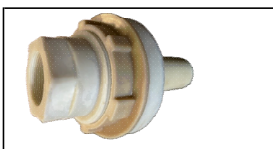
Part #	Description	List Price
SU-H70	Double Poppet Shear Valve 1 1/2" Stainless (Installed)	\$402.06
SU-H68	Double Poppet Shear Valve 1 1/2" Powder Coated (Installed)	\$273.15

Piping Installed



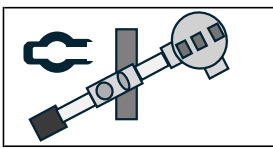
Part #	Description	List Price
SU-Piping-7200-SS-SO	Piping for Wayne Select Stainless Side Outlet (Installed)	\$237.42
SU-Piping-7200-SS-EO	Piping for Wayne Select Stainless End Outlet (Installed)	\$293.72
	Stainless Piping is standard for Stainless & Powder Coated Sumps	

Fiberglass Penetration Fittings



Part #	Description	List Price
PF-FGT-1.5FPTx2G	1 1/2" FPT Fiberglass Penetration Fitting with sanitary fitting to match piping. (Installed)	\$345.30
PF-FGT-2FPTx2G	2" FPT Fiberglass Penetration Fitting with sanitary fitting to match piping. (installed)	\$345.30

Electrical Alarm Sensor Options



Part #	Description	List Price
ES-EL-Kit	Electrical piping with Seal off, Unilet and sensor mounting Bracket (Installed) Sensor not included	\$597.81
ES-EL-208 Kit	Electrical piping with Seal off, Unilet and sensor mounting Bracket with VR 208 Sensor (Installed)	\$1,572.81

To calculate Total List Price put a "1" only in the box for the options required. Note: on conduit couplings, put a check in all boxes requested.	\$3,243.24
--	-------------------

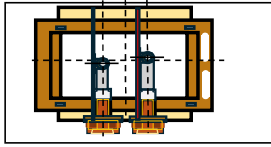


"Better by Design"

UDC's for 7203 & 7208 "P" Series Dispensers
Below Grade Fiberglass UDC

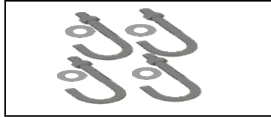


Sump



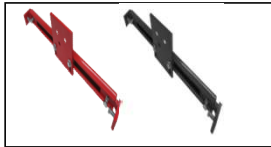
Part #	Description	List Price
ESWS-BG-2L	Below Grade Fiberglass Sump 24"Long 24"Wide 32"Deep with Frame, Rails for Stabilizer Bar, drain to Alarm Cup	\$1,537.67
ESWS-BG-SS-2L	Below Grade Fiberglass Sump 24"Long 24"Wide 32"Deep with SS Frame & SS Rails for Stabilizer Bar, drain to Alarm Cup	\$1,726.48

J Bolt Kit



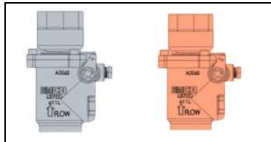
Part #	Description	List Price
SU-J Bolt-4	J Bolt Kit - 4 each 1/2" x 6" J Bolts Stainless	\$52.15
J Bolt Kits are shipped loose		

Stabilizer Bar Rails and Stabilizer Bar installed



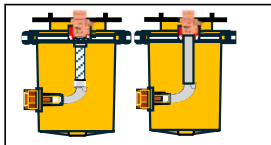
Part #	Description	List Price
SU-SBA-17.5-SS	Stainless Unistrut Rails with Stainless Stabilizer Bar for standard Shear Valves (Installed)	\$339.15
SU-SBA-17.5-PC	Galvanized Unistrut Rails with Stainless Stabilizer Bar for standard Shear Valves all Powder Coated (installed)	\$190.53

Shear Valve Options Installed



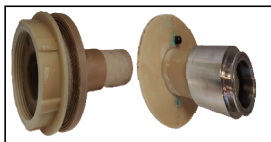
Part #	Description	List Price
SU-H70	Double Poppet Shear Valve 1 1/2" Stainless (Installed)	\$402.06
SU-H68	Double Poppet Shear Valve 1 1/2" Powder Coated (Installed)	\$273.15

Piping Installed



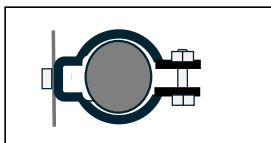
Part #	Description	List Price
SU-Piping-7200-SS-BGF	Piping, SS for below grade sump with Flex Connector	\$379.86
SU-Piping-7200-SS-BGH	Piping, SS for below grade sump hard piped	\$192.51
Note: All Piping components are stainless steel for either hard piped applications or for applications using a flex connector.		

Fiberglass Penetration Fittings



Part #	Description	List Price
PF-FGT-3x2G	3" over 2" FPT Fiberglass Penetration Fitting with Air Test and drain, sanitary fitting to match piping. (Installed)	\$345.30

Conduit Mounting Brackets



Part #	Description	List Price
SU-CMB-1.1	Conduit Mounting Bracket for 3/4" Rigid Conduits Shipped Loose	\$30.00
SU-CMB-1.4	Conduit Mounting Bracket for 1" Rigid Conduits Shipped Loose	\$30.00

Electrical Alarm Sensor Options



Part #	Description	List Price
SU-SMK-2.5x1.9	Pipe Clamp Assembly for VR 208 Sensor (Installed)	\$75.00
ES-EL-208 Kit	Electrical piping with Seal off, Unilet and sensor mounting Bracket with VR 208 Sensor (Installed)	\$1,572.81

To calculate Total List Price put quantity desired in the box for the options requested.	\$2,704.16
--	-------------------

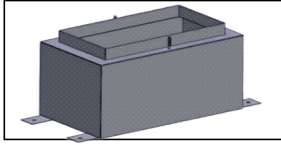


"Better by Design"

**Sumps & Components
for Over the Counter Sales**



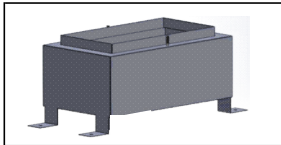
Sump for Surface Mounting



- 1
- 1

Part #	Description	List Price
ESWS-7200 SM-PC	Above Grade Powder Coated Sump 38 1/4" x 19 3/8" x 14" with 2" Rain Lip and Rails. Stabilizer Bar Not Included	\$1,726.12
ESWS-7200 SM-SS	Above Grade 304 Stainless Sump 38 1/4" x 19 3/8" x 14" with 2" Rain Lip and Rails. Stabilizer Bar Not Included	\$2,872.79

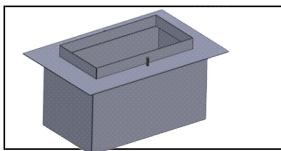
Sump for Pedestal Mounting



- 3
- 3

Part #	Description	List Price
ESWS-7200 PM-PC	Above Grade Powder Coated Sump 38 1/4" x 19 3/8" x 14" with 2" Rain Lip and Rails. Stabilizer Bar Not Included	\$1,719.25
ESWS-7200 PM-SS	Above Grade 304 Stainless Sump 38 1/4" x 19 3/8" x 14" with 2" Rain Lip and Rails. Stabilizer Bar Not Included	\$2,872.79

Sump for Flush Mounting



- 3
- 1

Part #	Description	List Price
ESWS-7200 FM-PC	Above Grade Powder Coated Sump 38 1/4" x 19 3/8" x 14" with 2" Rain Lip and Rails. Stabilizer Bar Not Included	\$1,719.25
ESWS-7200 FM-SS	Above Grade 304 Stainless Sump 38 1/4" x 19 3/8" x 14" with 2" Rain Lip and Rails. Stabilizer Bar Not Included	\$2,872.79

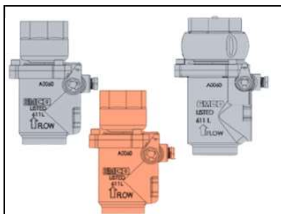
Stabilizer Bar Assemblies



- 1
- 2

Part #	Description	List Price
SU-SBA-17.5-PCB	Stabilizer Bar Assembly for standard Shear Valves, Powder Coated (boxed)	\$101.50
SU-SBA-17.5-SSB	Stabilizer Bar Assembly for standard Shear Valves, Stainless (boxed)	\$160.00

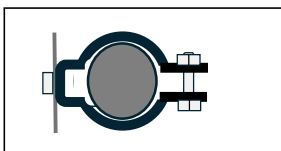
Shear Valve Options



- 1
-
- 1

Part #	Description	List Price
SH-H68	Double Poppet Shear Valve 1 1/2" Powder Coated	\$165.60
SU-H70	Double Poppet Shear Valve 1 1/2" Stainless	\$251.54
SU-H71	Double Poppet Shear Valve 2" Stainless	\$494.82

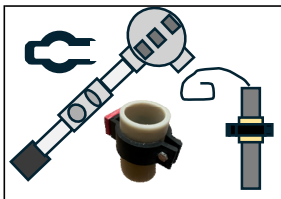
Conduit Mounting Brackets



-
- 1

Part #	Description	List Price
SU-CMB-1.1	Conduit Mounting Bracket for 3/4" Rigid Conduits Shipped Loose	\$30.00
SU-CMB-1.4	Conduit Mounting Bracket for 1" Rigid Conduits Shipped Loose	\$30.00

Alarm Sensors & Mounting Brackets

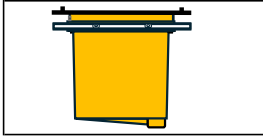


-
- 1
- 1

Part #	Description	List Price
ES-EL-Kit	Electrical piping with Seal off, Unilet and sensor mounting Bracket for Surface & Flush Mtd Sumps.	\$597.81
SU-SMK-2.5x1.9	Pipe Clamp Assembly for VR 208 Sensor for Below Grade Sumps	\$75.00
ES-EL-208 Kit	Electrical piping with Seal off, Unilet and sensor mounting Bracket with VR 208 Sensor for Surface & Flush Mounted Sumps	\$1,572.81

To calculate Total List Price put quantity desired in the box for the options requested \$29,165.30

Sump for Below Grade Mounting

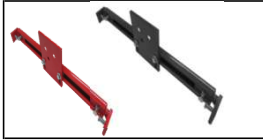


1

1

Part #	Description	List Price
ESWS-7200 BG	Below Grade Fiberglass Sump 24"Long 24"Wide 32"Deep with Frame, Rails for Stabilizer Bar, drain to Alarm Cup	\$1,537.67
ESWS-7200 BG-SS	Below Grade Fiberglass Sump 24"Long 24"Wide 32"Deep with SS Frame & SS Rails for Stabilizer Bar, drain to Alarm Cup	\$1,726.48

Stabilizer Bar Assemblies

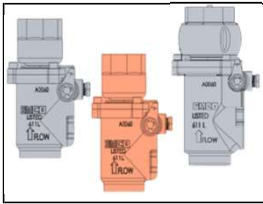


1

2

Part #	Description	List Price
SU-SBA-21-PCB	Galvanized Unistrut Stabilizer Bar Assembly for standard Shear Valves all Powder Coated (boxed)	\$101.50
SU-SBA-21-SSB	Stainless Unistrut Stabilizer Bar Assembly for standard Shear Valves (boxed)	\$160.00

Shear Valve Options

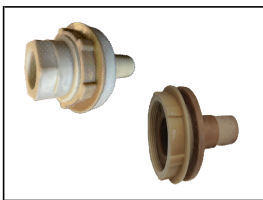


1

1

Part #	Description	List Price
SH-H68	Double Poppet Shear Valve 1 1/2" Powder Coated	\$165.60
SU-H70	Double Poppet Shear Valve 1 1/2" Stainless	\$251.54
SU-H71	Double Poppet Shear Valve 2" Stainless	\$494.82

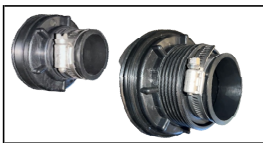
Fiberglass Penetration Fittings



1

Part #	Description	List Price
PF-FGT-1.5FPTx2G	1 1/2" FPT Fiberglass Penetration Fitting with sanitary fitting to match piping. For Surface & Flush Mtd Sumps	\$185.00
PF-FGT-2FPTx2G	2" FPT Fiberglass Penetration Fitting with sanitary fitting to match piping. For Surface & Flush Mtd Sumps	\$185.00
PF-FGT-3x2G	3" over 2" FPT Fiberglass Penetration Fitting with Air Test and drain, sanitary fitting to match piping. For Below Grade Sumps	\$180.00

Threaded Flexible Penetration Fittings



1

Part #	Description	List Price
PF-B2-1.1	3/4" Threaded Conduit Penetration Fitting	\$27.99
PF-B2-1.4	1" Threaded Conduit Penetration Fitting	\$27.99
PF-B3.5-1.9	1 1/2" Threaded Pipe Penetration fitting	\$34.21
PF-B3.5-2.4	2" Threaded Pipe Penetration fitting	\$34.21

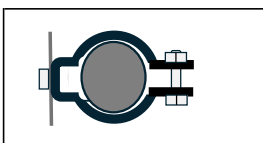
Studded Flexible Penetration Fittings



1

Part #	Description	List Price
PF-T4S-1.1	3/4" Threaded Conduit Penetration Fitting	\$37.31
PF-T4S-1.4	1" Threaded Conduit Penetration Fitting	\$37.31
PF-T8S-1.9	1 1/2" Threaded Pipe Penetration fitting	\$46.64
PF-T8S-2.4	2" Threaded Pipe Penetration fitting	\$46.64

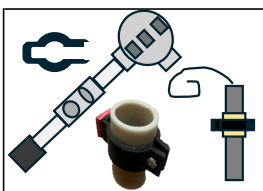
Conduit Mounting Brackets



1

Part #	Description	List Price
SU-CMB-1.1	Conduit Mounting Bracket for 3/4" Rigid Conduits Shipped Loose	\$30.00
SU-CMB-1.4	Conduit Mounting Bracket for 1" Rigid Conduits Shipped Loose	\$30.00

Alarm Sensors & Mounting Brackets



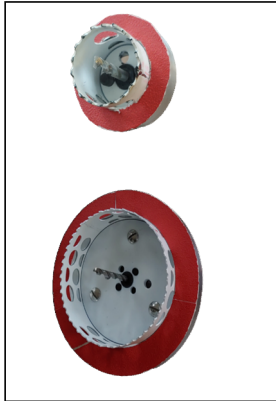
1

1

Part #	Description	List Price
ES-EL-Kit	Electrical piping with Seal off, Unilet and sensor mounting Bracket for Surface & Flush Mtd Sumps.	\$597.81
SU-SMK-2.5x1.9	Pipe Clamp Assembly for VR 208 Sensor for Below Grade Sumps	\$75.00
ES-EL-208 Kit	Electrical piping with Seal off, Unilet and sensor mounting Bracket with VR 208 Sensor for Surface & Flush Mounted Sumps	\$1,572.81

Calculate Total List Price put quantity desired in the box for the options request \$6,274.18

Sanding Hole Saws- Carbide Tipped for Fiberglass, Steel and Stainless Steel Sumps



- 1
- 1
-
- 1
-
-
-
-
- 1
- 1
- 1
-

Part #	Description	List Price
PF-SHS-1.75x2.8	Sanding Hole Saw 3/4&1" for Bonded Electrical Conduits SW Sumps	\$232.28
PF-SHS-2x2.8	Sanding Hole Saw 3/4&1" for Bonded Electrical conduits DW Sumps	\$256.61
PF-SHS-2x3	Sanding Hole Saw for B2 Penetrations SW Sumps	\$261.13
PF-SHS-3.5x5.2	Sanding Hole Saw for B3.5 Penetrations SW Sumps	\$407.56
PF-SHS-5x6.7	Sanding Hole Saw for B5 Penetrations SW Sumps	\$565.85
PF-SHS-6x7.6	Sanding Hole Saw for B6 Penetrations SW Sumps	\$587.08
PF-SHS-2.45x4.5	Sanding Hole Saw for 4 Stud Penetrations SW Sumps	\$291.71
PF-SHS-4x6.7	Sanding Hole Saw for 8 Stud Penetrations SW Sumps	\$466.05
PF-SHS-5.5x8	Sanding Hole Saw for 10 Stud Penetrations SW Sumps	\$509.88
PF-SHS-4.5x6.38	Sanding Hole Saw for FGC & FGT Fiberglass Penetrations SW Sumps	\$467.33
PF-SHS-5x6.85	Sanding Hole Saw for Omegaflex Fiberglass Penetrations SW Sumps	\$566.57
PF-SHS-5x6.38	Sanding Hole Saw for FGC & FGT Fiberglass Penetrations DW Sumps	\$566.57

B Series Penetrations - See Traditional Products Catalog for Size and Product Number Selections & More



-
- 6
- 1
-

Part #	Description	List Price
PF-B2-x.x	Penetration for conduits 1/2-1" Nominal Pipes	\$27.99
PF-B3.5-x.x	Penetration for pipes 1.5" - 2.7" OD Pipe	\$34.21
PF-B5-x.x	Penetration for pipes 2.7" - 3.8 OD	\$41.99
PF-B6-x.x	Penetration for pipes 4.4" - 5.0 OD	\$49.76

Studded Series Penetrations - See Traditional Products Catalog for Size, Options and Product Number Selections & More



- 4
- 2
-
-

Part #	Description	List Price
PF-T4S-x.x	Penetration for conduits 1/2-1" Nominal Pipe	\$37.31
PF-T8S-x.x	Penetration for pipes 1.5" - 3.6" OD Pipe	\$46.64
PF-T10S-x.x	Penetration for pipes 3.6" - 5.0" OD Pipe	\$57.74
PF-T12S-x.x	Penetration for pipes 5.2" - 6.7" OD Pipe	\$139.93

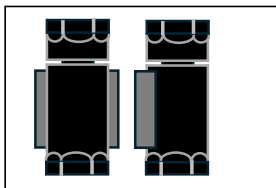
Chemicals - See Chemical Products Catalog for Options & Product Numbers & More



- 1
-
-
- 1
-

Part #	Description	List Price
CH-DBB V-50ml	Methyl methacrylate Bonder for B series & Studded	\$42.28
CH-DFB-50ml	Fiberglass Epoxy Bonder 50 ml	\$104.12
CH-DBC II	Cleaner for penetrations	\$20.36
CH-DAG III	Applicator gun for 50 ml cartridges	\$142.49
CH-DSM-V	Additional static Mixers	\$15.76

DEF Shear Valve for Bennett 100 series Dispensers



- 1

Part #	Description	List Price
SU-DEF-SV	DEF Shear Valve - Acetal for SBA Mounting	\$300.00

To calculate Total List Price put quantity desired in the box for the options requested. \$3,414.77



TOC



Contact Us

"Better By Design"

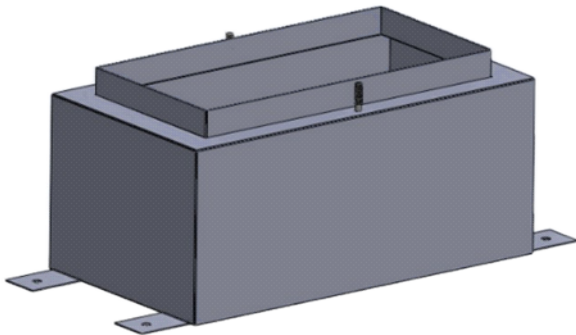
Wayne Select Surface Mounted Under Dispenser Containment

Technical Data Sheet

Since the introduction of EPA driven regulatory activities in 1988, contractors have been buying components to comply with these regulations. Multiple manufacturers offered products and contractors had to sort out all dimensional issues, compatibility between manufacturers and had to have complex estimating procedures. Diversified has now solved these and other problems with the introduction of our Engineered UDC Systems for the Wayne Select series of Dispensers.

All components are either UL Listed or third party approved for their respective applications.

The Wayne Select Surface Mounted UDC's feature 12 gauge stainless or powder coated Steel. The UDC's are specifically designed for the Wayne 7200 series of Dispensers



These sumps are available in stand alone units for contractor fabrication or are available in a factory manufactured complete units.

All internal piping components may be removed and replaced using quick release sanitary fittings.

Available in side outlet or end outlet configurations.

Manufactured units are available with 1 1/2" powder coated or stainless shear valves or 2" stainless shear valves.

Manufactured sumps are available with stainless rails, stabilizer bar, piping and shear valve or in a powder coated option.

Factory piping is designed to mate to the dispenser piping eliminating the need for offsets.

Optional alarm sensor brackets are available installed in the UDC. The factory will install, as an option, the alarm sensor specified.

Third Party Approvals



EQ-742 EQ-801 EQ-836

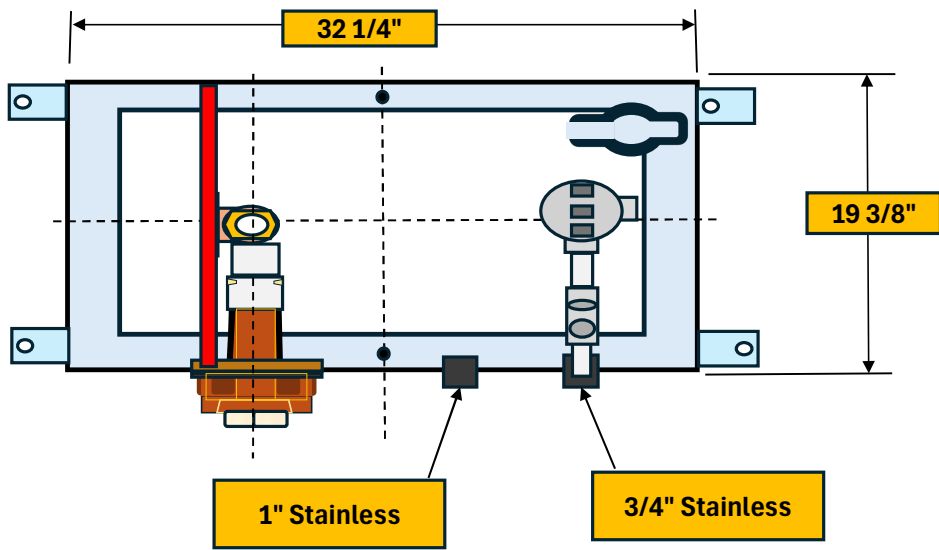


THIRD-PARTY UL 2447

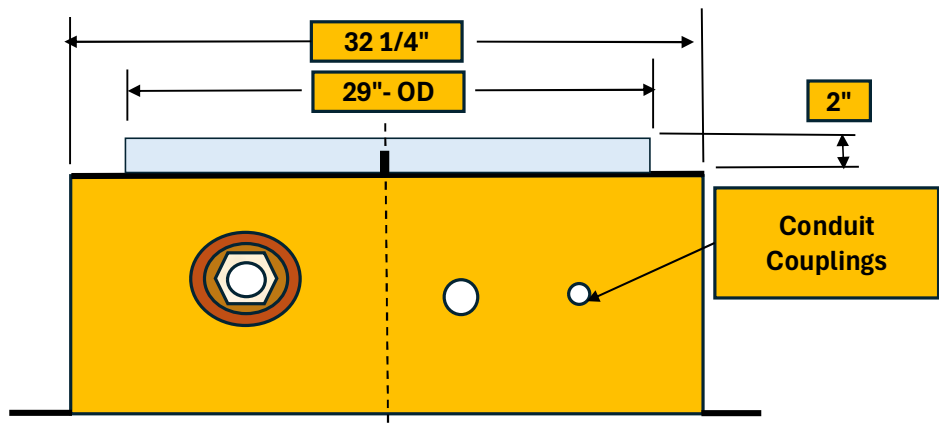


Diversified Products Manufacturing
5523 Baggett Marysville Road Oroville CA 95965
530-534-3966 - www.dpm-co.com - Order Entry Email: sales@dpm-llc.com

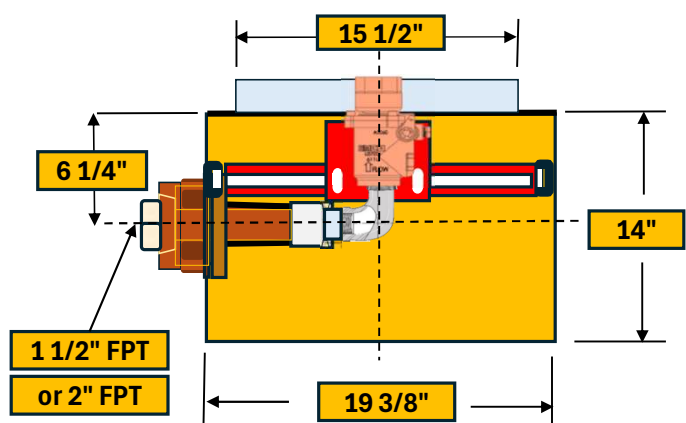




Top View



Front Side Shown



End View
Cross Section

Typical
Surface Mounted Side Outlet



TOC



Contact Us

Wayne Select Pedestal Mounted Under Dispenser Containment

Technical Data Sheet

Since the introduction of EPA driven regulatory activities in 1988, contractors have been buying components to comply with these regulations. Multiple manufacturers offered products and contractors had to sort out all dimensional issues, compatibility between manufacturers and had to have complex estimating procedures. Diversified has now solved these and other problems with the introduction of our Engineered UDC Systems for the Wayne Select series of Dispensers.

All components are either UL Listed or third party approved for their respective applications.

The Wayne Select Pedestal Mounted UDC's feature 12 gauge stainless or powder coated Steel. The UDC's are specifically designed for the Wayne 7200 series of Dispensers

These sumps are available in stand alone units for contractor fabrication or are available in a factory manufactured complete units.

All internal piping components may be removed and replaced using quick release sanitary fittings.

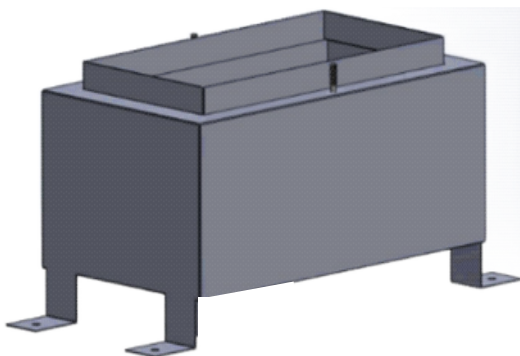
Available in side outlet or end outlet configurations.

Manufactured units are available with 1 1/2" powder coated or stainless shear valves or 2" stainless shear valves.

Manufactured sumps are available with stainless rails, stabilizer bar, piping and shear valve or in a powder coated option.

Factory piping is designed to mate to the dispenser piping eliminating the need for offsets.

Optional alarm sensor brackets are available installed in the UDC. The factory will install, as an option, the alarm sensor specified.



Third Party Approvals



EQ-742 EQ-801 EQ-836

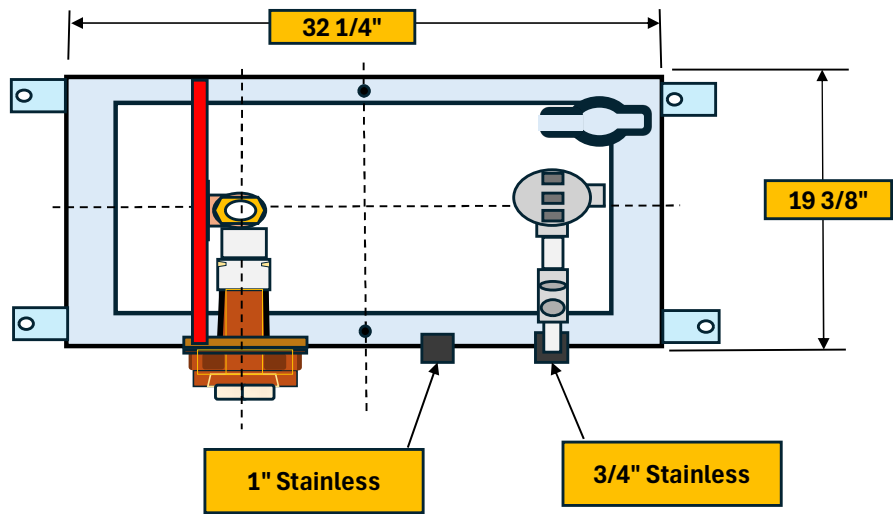


THIRD-PARTY UL 2447

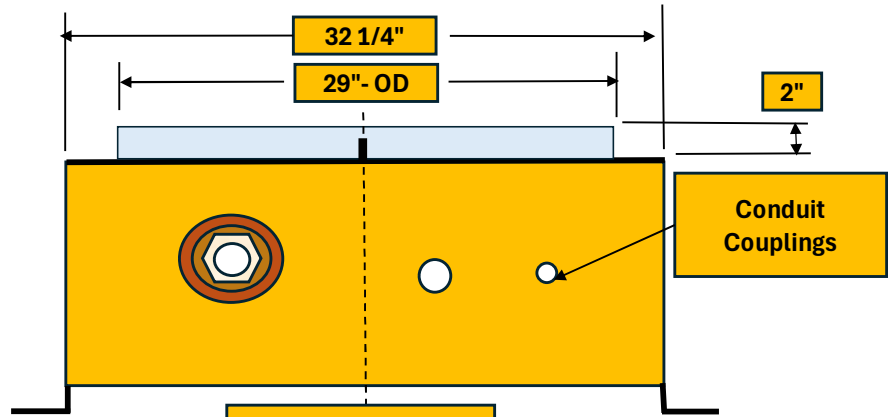


Diversified Products Manufacturing
5523 Baggett Marysville Road Oroville CA 95965
530-534-3966 - www.dpm-co.com - Order Entry Email: sales@dpm-llc.com

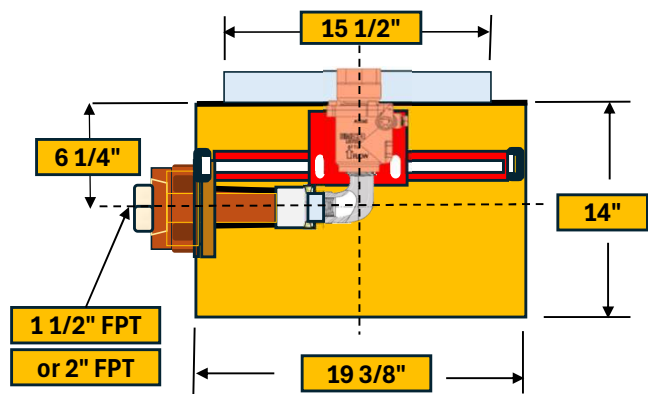




Top View



Front Side Shown



End View Cross Section

Typical Pedestal Mounted Side Outlet



TOC



Contact Us

"Better By Design"

Wayne Select Flush Mounted Under Dispenser Containment

Technical Data Sheet

Since the introduction of EPA driven regulatory activities in 1988, contractors have been buying components to comply with these regulations. Multiple manufacturers offered products and contractors had to sort out all dimensional issues, compatibility between manufacturers and had to have complex estimating procedures. Diversified has now solved these and other problems with the introduction of our Engineered UDC Systems for the Wayne Select series of Dispensers.

All components are either UL Listed or third party approved for their respective applications.

The Wayne Select Flush Mounted UDC's feature 12 gauge Stainless or powder coated Steel. The UDC's are specifically designed for the Wayne Select 7200 series of Dispensers

These sumps are available in stand alone units for contractor fabrication or are available in a factory manufactured complete units.

All internal piping components may be removed and replaced using quick release sanitary fittings.

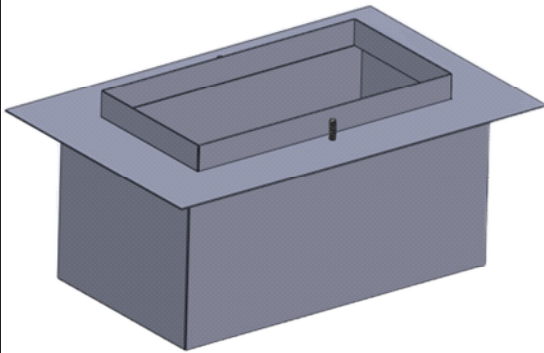
Available in side outlet or end outlet configurations.

Manufactured units are available with 1 1/2" powder coated or stainless shear valves or 2" stainless shear valves.

Manufactured sumps are available with stainless rails, stabilizer bar, piping and shear valve or in a powder coated option.

Factory piping is designed to mate to the dispenser piping eliminating the need for offsets.

Optional alarm sensor brackets are available installed in the UDC. The factory will install, as an option, the alarm sensor specified.



Third Party Approvals



EQ-742 EQ-801 EQ-838

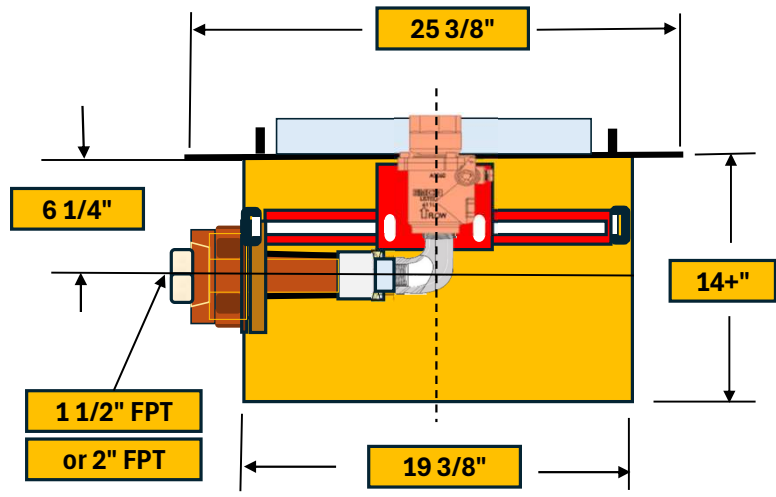
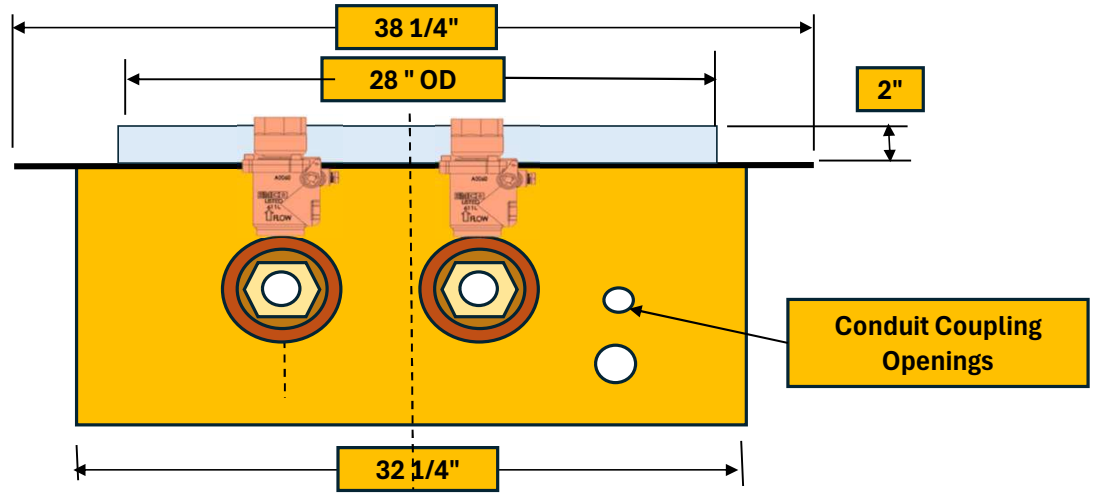
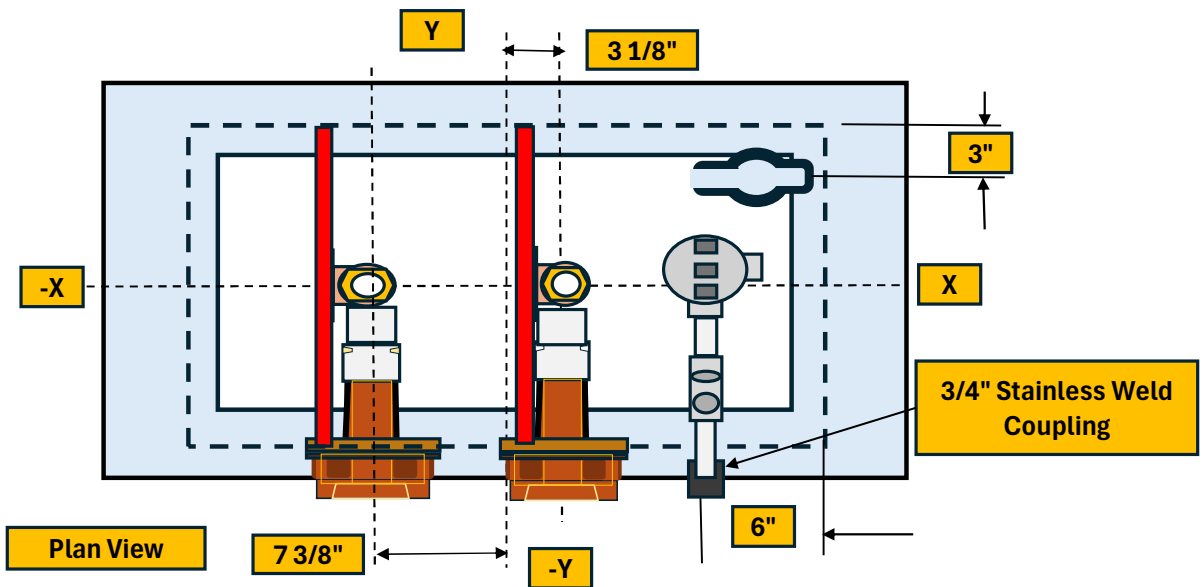


THIRD-PARTY UL 2447



Diversified Products Manufacturing
5523 Baggett Marysville Road Oroville CA 95965
530-534-3966 - www.dpm-co.com - Order Entry Email: sales@dpm-llc.com





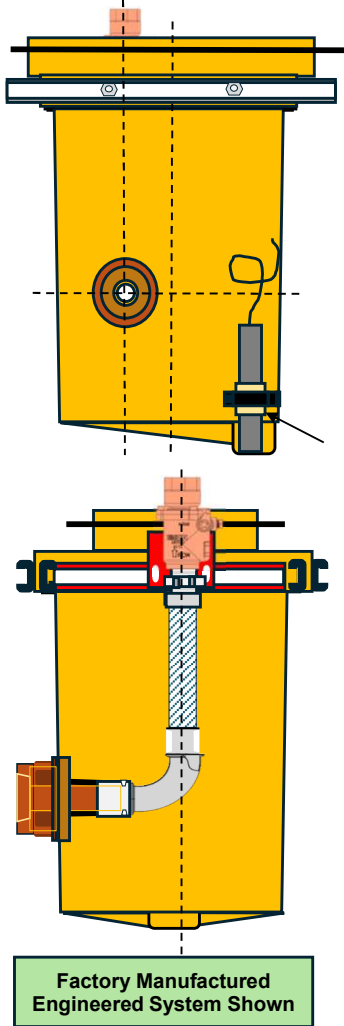
End View

**Typical
Flush Mounted Side Outlet**

Wayne Select Below Grade Under Dispenser Containment

Technical Data Sheet

Since the introduction of EPA driven regulatory activities in 1988, contractors have been buying components to comply with these regulations. Multiple manufacturers offered products and contractors had to sort out all dimensional issues, compatibility between manufacturers and had to have complex estimating procedures. Diversified has now solved these and other problems with the introduction of our Engineered UDC Systems for the Wayne Select series of Dispensers. These sumps may be ordered Dri Sump compatible.



All components are either UL Listed or third party approved for their respective applications.

The Wayne Select below grade UDC's feature Fiberglass Sumps and Frames. The UDC's are specifically designed for the Wayne 7200 series of Dispensers

These sumps are available in stand alone for contractor fabrication or are available in a factory manufactured complete units.

All internal piping components may be removed and replaced using quick release sanitary fittings.

These sumps are available in single wall or double wall configurations.

Manufactured units are available with 1 1/2" powder coated or stainless shear valves or 2" Stainless shear valves.

Manufactured sumps are available with stainless rails, stabilizer bar, piping and shear valve or in a powder coated option.

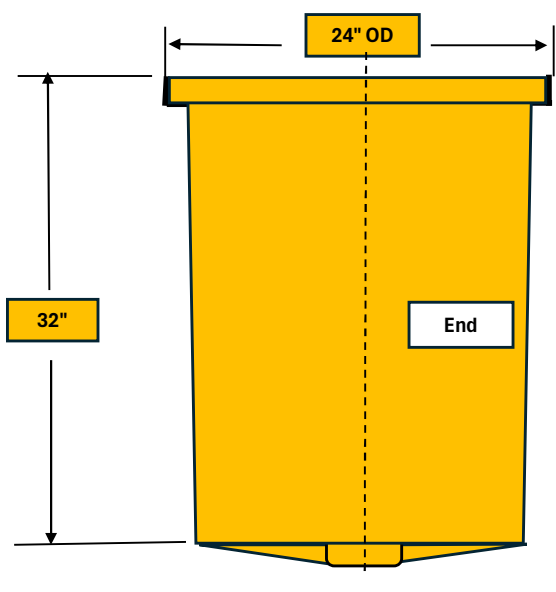
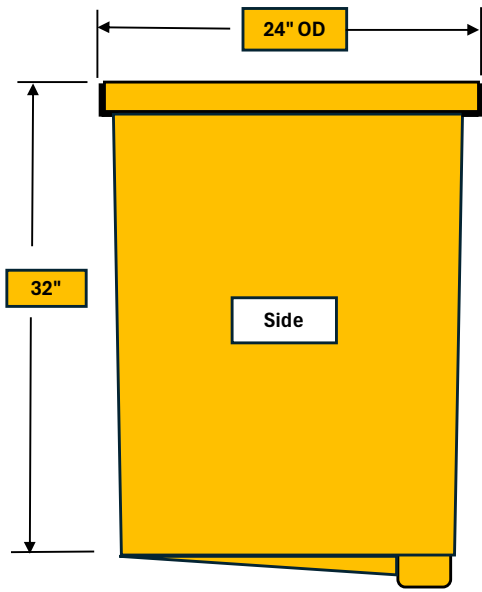
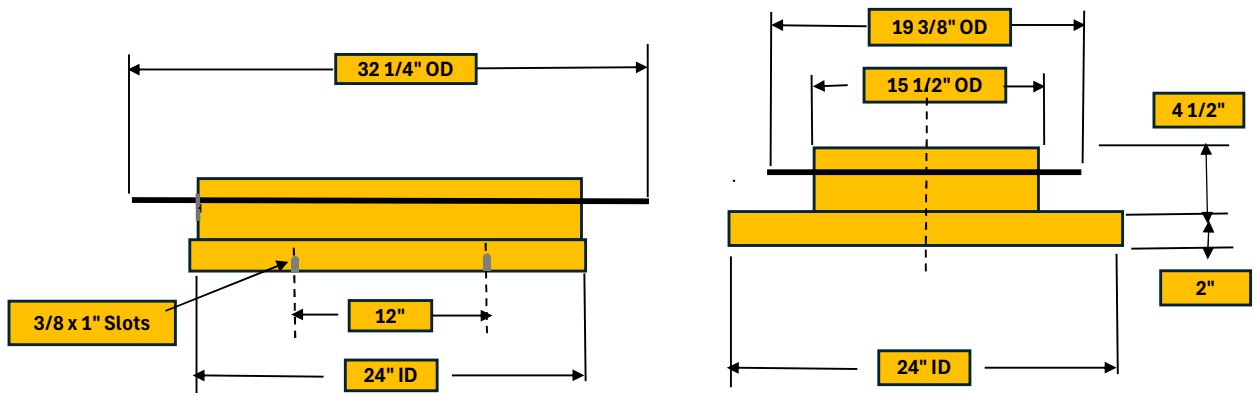
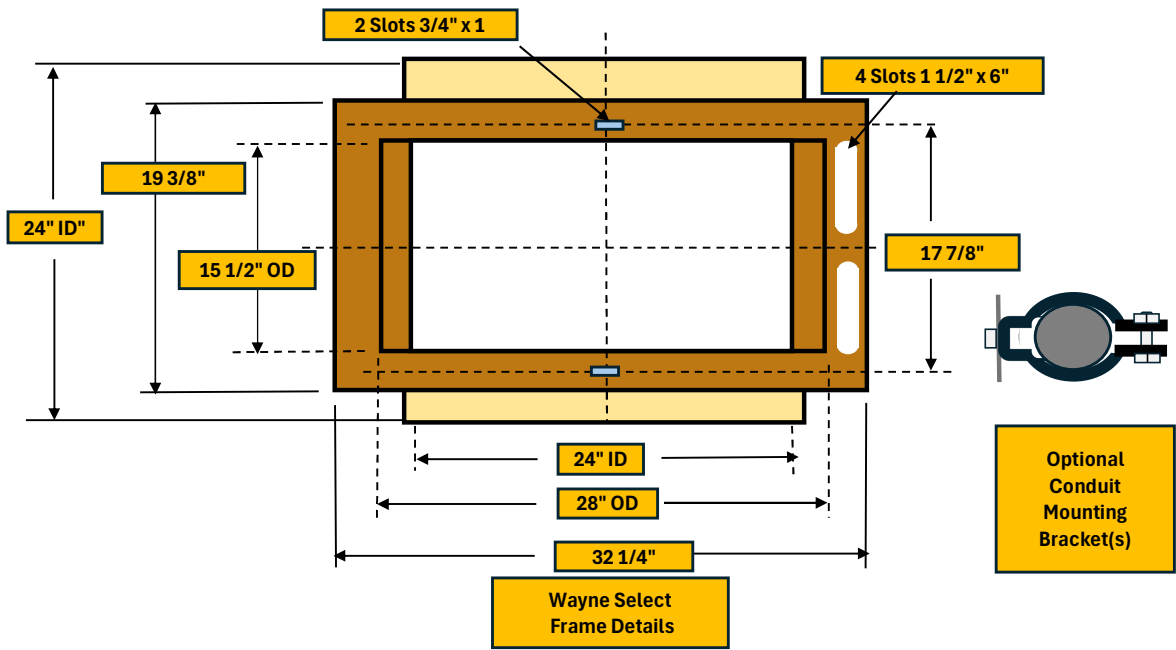
Manufactured systems are available in a hard piped or flex connector configurations.

Fiberglass UDC's feature sloping floors to a drain cup for early alarm of fluids and easy mounting kits for the sensor provided.

Factory piping is designed to mate to the dispenser piping eliminating the need for offsets.

Third Party Approvals

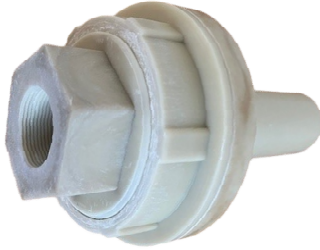




"FGT" Series Fiberglass Penetrations for Above Ground UDC's

Technical Data Sheet

Since the introduction of EPA driven regulatory activities in 1988, contractors have been buying components to comply with these regulations. Multiple manufacturers offered products and contractors had to sort out all dimensional issues, compatibility between manufacturers and had to have complex estimating procedures. Stand alone dispensers require penetration fittings for the under dispenser containment that support piping systems being terminated outside the UDC. Diversified has a robust answer that serves multiple applications.



All components are either UL Listed or third party approved for their respective applications.

The PF-FGT-Hex series of penetrations offer reliable 1 1/2" or 2" FPT threads for terminating pipes to the outside of the sump.

This fitting offers three reliable methods of connecting the Fiberglass penetration to internal piping.

Option 1) The end of the fitting has a 1 1/2" female pipe thread for connecting directly to pipe nipples or threaded flex connectors. Overall Length (inside sump) as specified up to 5 3/4"



Option 2) The male end is tapered for bonding NOV fiberglass fittings directly to the penetration fitting. The penetration will bond to couplings, tees, elbows and adaptors. Overall length inside sump 5 3/4".

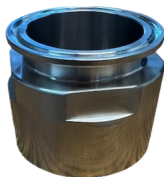
Option 3) The fiberglass fitting may be bonded directly to a female sanitary fitting. Overall length (inside sump) 7" with Sanitary Adaptor installed.

The overall length of the fitting from the inside of the sump to the end is 7.0" prior to adding the pipe to fitting adaptor described above.

Option 1



Option 3



The overall length can be cut back to any length desired. In such applications, the fitting may need to be factory machined to accommodate the adaptor desired.

The PF-FGT-Hex product is injection molded fiberglass. The resin is a proprietary fiberglass with UV inhibitors. They are designed to fit in a 4 1/2" Hole. Estimate 17 ml of CH-DFB Epoxy for installation

Option 2

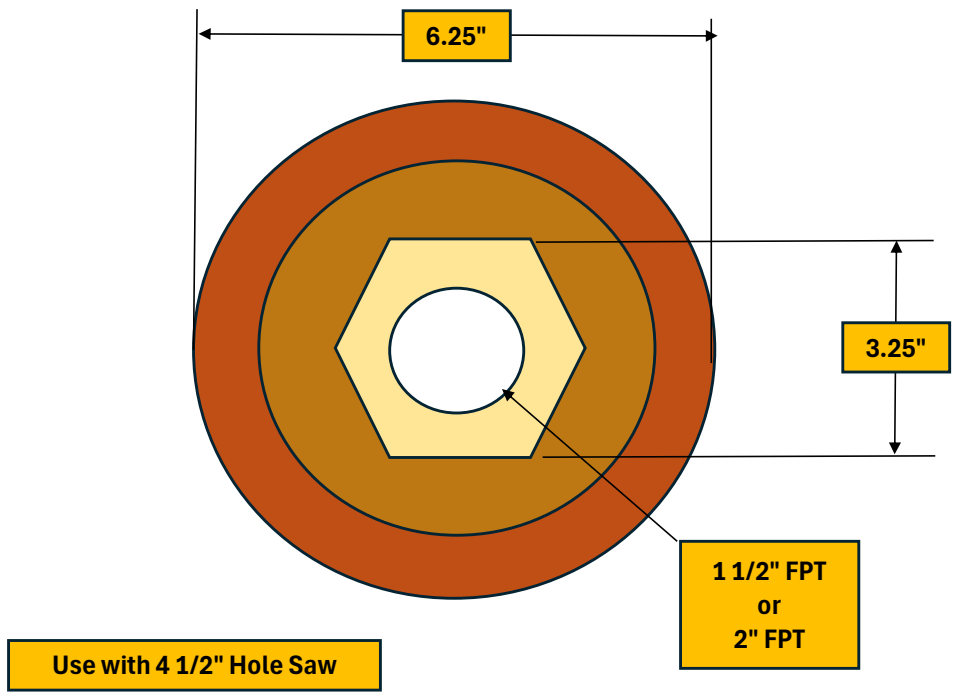
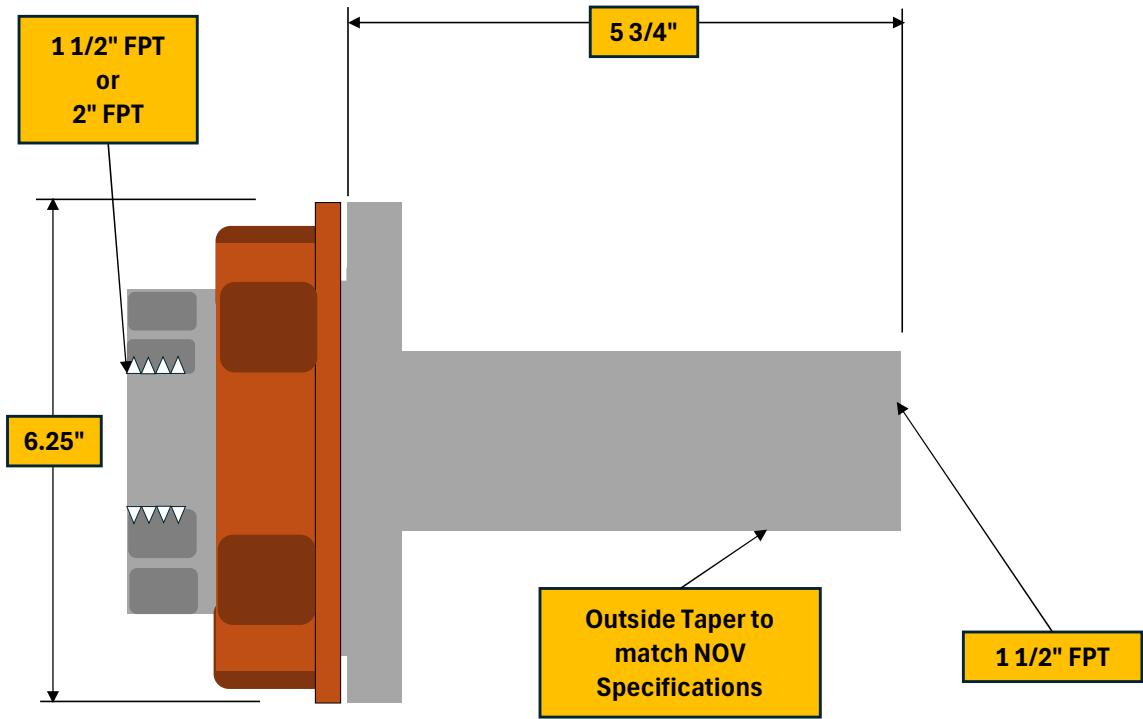


The penetration body bonds directly to fiberglass, steel or stainless steel Use CH-DFB-50ml epoxy - 17 ml per fitting.

Size	Pipe	Product #
1 1/2"	Female Pipe Thread	PF-FGT-1.5FPT
2"	Female Pipe Thread	PF-FGT-2FPT

Third Party Approvals







TOC



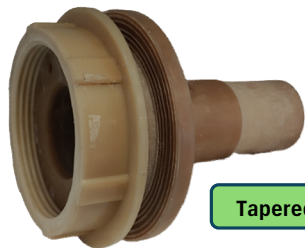
Contact Us

"Better By Design"

"FGT" Series Fiberglass Penetrations

Technical Data Sheet

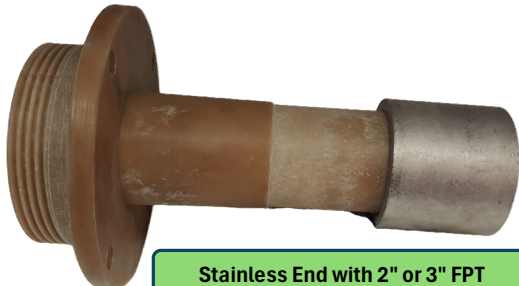
Since the introduction of EPA regulations for Underground Storage Tanks in 1988, there has been a need for Penetration Fittings that will last as long as the tanks. DPM has the answer with the introduction of its "FGT" series of penetrations for Rigid Fiberglass Pipe. The FGT Penetration Fitting assures the site owner that costs associated with repairing failed rubber components will never be experienced again. Millions of repair dollars can be avoided in future budgets where "FGT" fittings are installed.



Tapered End for 2 or 3" FRP

All components are either UL Listed or third party approved for their respective applications.

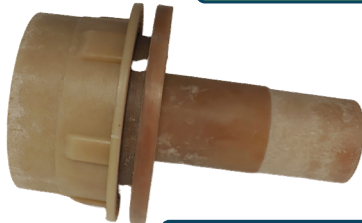
The "FGT" series fitting has a body & nut. The FRP pipe is extended into the sump as an integral part of the fitting. Ends terminating inside the sump may be tapered to match 2" or 3" FRP pipe or may be adapted to a 2" or 3" sanitary seals or may be provided with 2" or 3" FPT threads.



Stainless End with 2" or 3" FPT

"FGT" series penetrations are available with test and drain ports for interstice testing and drain back to the sump.

"FGT" series penetrations are available for 2" & 3" single wall fiberglass, 2" & 3" LCX, and 3" over 2" or 4" over 3" fiberglass.

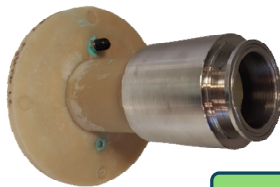


Nut shown for double wall Applications

A unique series of The "FGT" fitting has a large Hex head on the sump exterior suitable for threading in 2" or 3" MPT pipe.

Nut shown accommodates 2" LCX, 3" over 2", 3" LCX & 4" over 3".

Body Shown includes a test valve and drain port.



Shown with Test & Drain openings

Use Sanding Hole Saw 4 1/2" (PF SHS-4.5x6.38) for installation of penetrations. Use CH-DFB-50ml epoxy - 17 ml per fitting.

Third Party Approvals

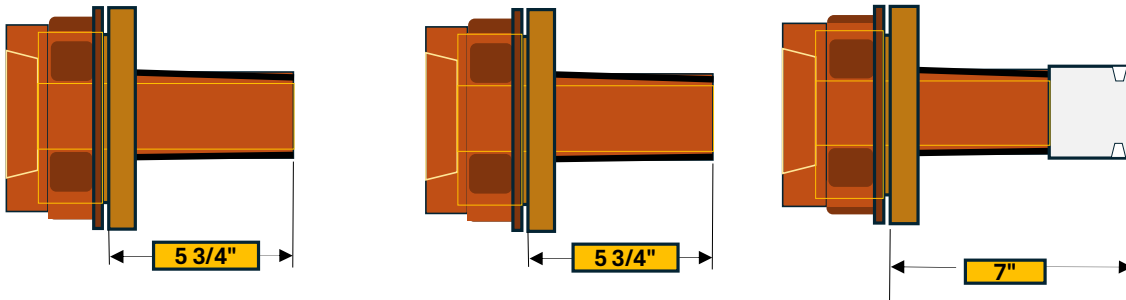


EQ-742 EQ-801 EQ-836



THIRD-PARTY UL 2447



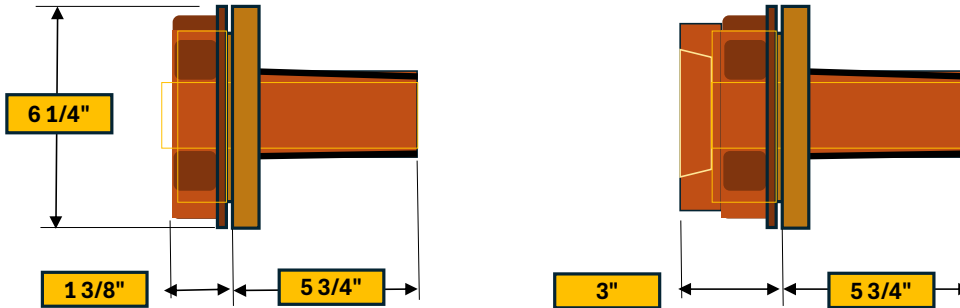


Tapered for direct bonding to NOV

1 1/2" FPT pipe threaded ready for

2" Sanitary fitting for connection to other

All fittings may be shortened for custom applications

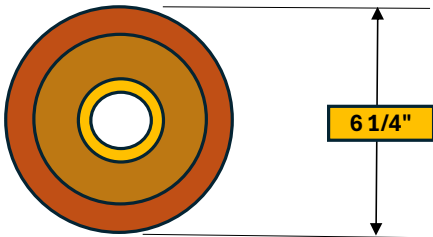


2" FRP

3" FRP

3 over 2" FRP

4 over 3" FRP

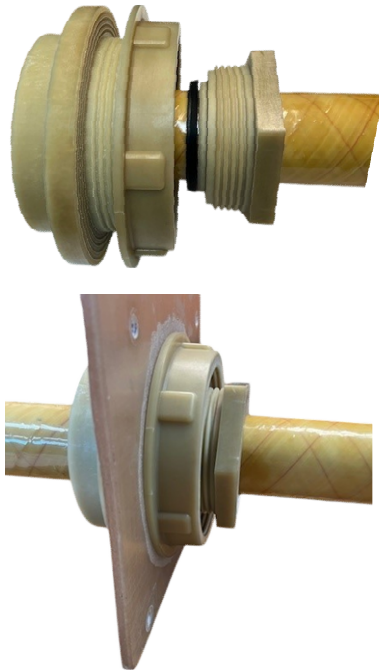


Use with 4 1/2" Hole Saw

"FGC" Series Compact Fiberglass Penetrations for Rigid Pipe

Technical Data Sheet

Since the introduction of EPA regulations for Underground Storage Tanks in 1988, there has been a need for Penetration Fittings that will last as long as the tanks. For rigid pipe, the fitting must allow the pipe to be no "rubber" products inside the sump. DPM has the answer with the introduction of its "Compact" series of penetrations for Flex Pipe, Semi Rigid, and Rigid Fiberglass Pipe. The Compact Penetration Fitting assures the site owner that this cost will never be experienced again. Millions of repair dollars can be avoided in future budgets where these fittings are installed.



All components are either UL Listed or third party approved for their respective applications.

The Compact Fitting has a body, nut, compression nut, and seal.

Compact Penetrations are pressure tested in excess of 60 psi without leakage. Refer to DPM's test Data Summary.

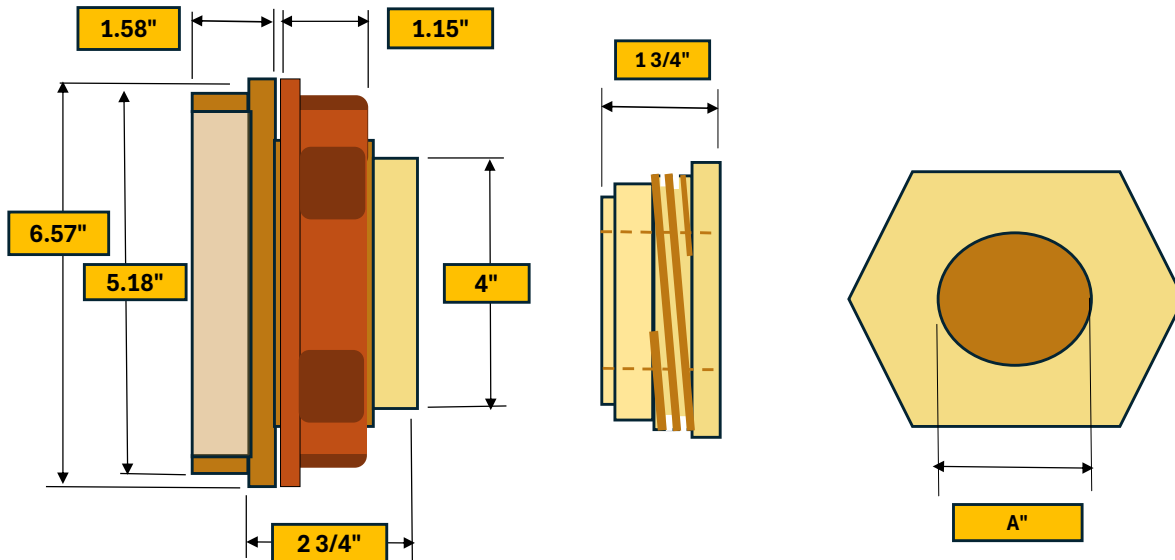
Compact Penetrations may be used with rigid pipes terminating with bonded or threaded joints..

Size	Pipe	Product #
2" FRP	Red Thread II or Dualoy	PF-FGC-2.38-DB
2" LCX	Dualoy	PF-FGC-2.59-DB
3" FRP	Red Thread II or Dualoy	PF-FGC-3.5-DB
3" LCX	Dualoy	PF-FGC-3.7-DB
4" FRP	Red Thread II or Dualoy	PF-FGC-4.5-DB
4" LCX	Dualoy	PF-FGC-4.7-DB

Use Sanding Hole Saw 5" (PF SHS-5x6.7) for installation of penetrations. Use CH-DFB-50ml epoxy - 17 ml per fitting.

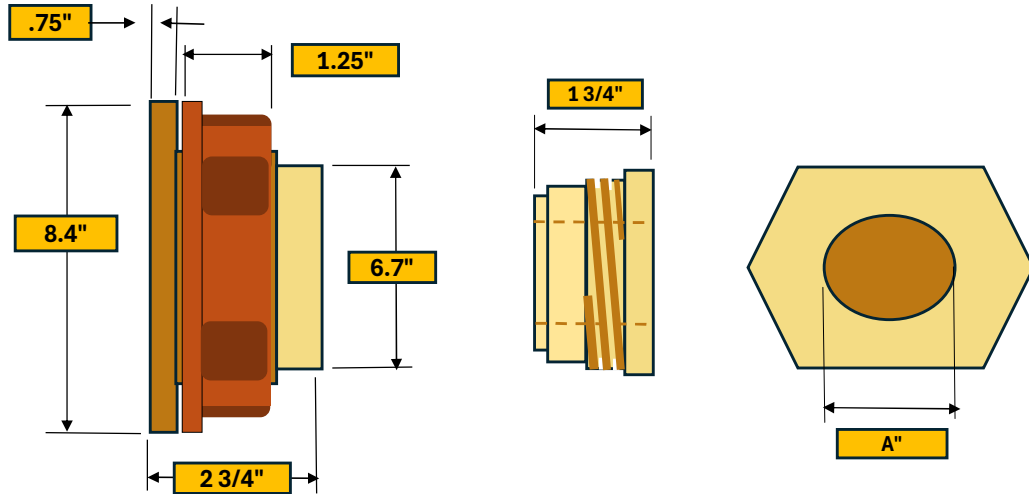
Third Party Approvals





Size	Pipe	Product Number	Dia A +.005 - .000
2" FRP	Red Thread II or Dualoy	PF-FGC-2.38-DB	2.400
2" LCX	Dualoy	PF-FGC-2.59-DB	2.620

Use with 5" hole saw for Single Wall sumps
 Use with 5 1/2" hole saw for Double Wall sumps



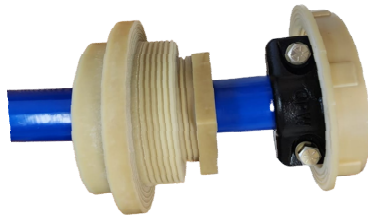
Size	Pipe	Product Number	Dia A +.005 - .000
3" FRP	Red Thread II or Dualoy	PF-FGC-3.5-DB	3.530
3" LCX	Dualoy	PF-FGC-3.7-DB	3.730
4" FRP	Red Thread II or Dualoy	PF-FGC-4.5-DB	4.530
4" LCX	Dualoy	PF-FGC-4.7-DB	4.730

Use with 7 1/2" hole saw for Single Wall sumps
 Use with 8" hole saw for Double Wall sumps

"FGC" Series Compact Fiberglass Penetrations for Flex Pipe

Technical Data Sheet

Since the introduction of EPA regulations for Underground Storage Tanks in 1988, there has been a need for Penetration Fittings that will last as long as the tanks. For flex pipe, the fitting must allow the pipe to be replaceable without breaking ground and there must be no "rubber" products inside the sump. DPM has the answer with the introduction of its "Compact" series of penetrations for Flex Pipe, Semi Rigid, and Rigid Fiberglass Pipe. The Compact Penetration Fitting assures the site owner that this cost will never be experienced again. Millions of repair dollars can be avoided in future budgets where these fittings are installed.



Flex Pipe with body shown on outside of sump. The nut is large enough to slip over the clamshell and tightens to the sump wall inside the sump. This is the -DB (Direct Burial) version.

All components are either UL Listed or third party approved for their respective applications.

The Compact Fitting has a body, nut, compression nut, and seal. For those installing pipe in a Corrugated Duct, there is a terminating reducer that provides a water tight seal between the ducting and the penetration fitting.



This is the -CD (Corrugated Ducting) version with a corrugated duct seal and boot sealing the corrugated ducting to the penetration fitting on the outside of the sump

Compact Penetrations are pressure tested in excess of 60 psi without leakage. Refer to DPM's test Data Summary.

Compact Penetrations may be used with flex pipes terminating with male swivel, sanitary, or barbed connections.

		A	A
Size	OPW Pipe	OPW Direct Bury	OPW Corrugated Duct
3/4"	C-075A	PF-FGC-1.18-DB	PF-FGC-1.18-CD
1"	C-10A	PF-FGC-1.50-DB	PF-FGC-1.50-CD
1 1/2"	C-15A	PF-FGC-2.00-DB	PF-FGC-2.00-CD
2"	C-20A	PF-FGC-2.45-DB	PF-FGC-2.50-CD
Size	APT Pipe	APT Direct Bury	APT Corrugated Duct
1"	XP-100-SC	PF-FGC-1.47-DB	PF-FGC-1.47-CD
1 1/2"	XP-150-SC	PF-FGC-190-DB	PF-FGC-1.90-CD
1 3/4"	XP-175-SC	PF-FGC-2.15-DB	PF-FGC-2.15-CD
2"	XP-200-SC	PF-FGC-2.65-DB	PF-FGC-2.60-CD

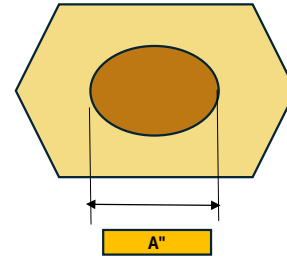
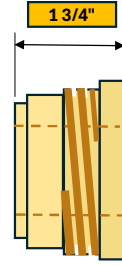
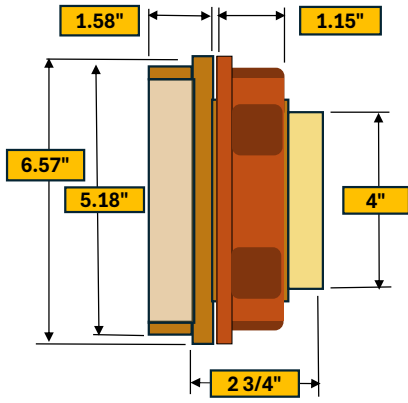
Use Sanding Hole Saw 5" (PF SHS-5.0x6.7) for installation of penetrations. Use CH-DFB-50ml epoxy - 17 ml per fitting direct bury applications & 35 ml per fitting for corrugated duct applications.

Third Party Approvals



EQ-742 EQ-301 EQ-336

THIRD-PARTY UL 2447



Penetration Fitting Product Numbers

Size	Pipe	A		Dia A" +.005 - .000
		OPW Direct Bury	OPW Corrugated Duct	
3/4"	C-075A	PF-FGC-1.18-DB	PF-FGC-1.18-CD	1.21
1"	C-10A	PF-FGC-1.50-DB	PF-FGC-1.50-CD	1.48
1 1/2"	C-15A	PF-FGC-2.00-DB	PF-FGC-2.00-CD	2.03
2" *	C-20A	PF-FGC-2.45-DB	PF-FGC-2.50-CD	2.53
Size	Pipe	A		Dia A" +.005 - .000
		APT Direct Bury	APT Corrugated Duct	
1"	XP-100-SC	PF-FGC-1.47-DB	PF-FGC-1.47-CD	1.5
1 1/2"	XP-150-SC	PF-FGC-1.90-DB	PF-FGC-1.90-CD	1.93
1 3/4"	XP-175-SC	PF-FGC-2.15-DB	PF-FGC-2.15-CD	2.18
2" *	XP-200-SC	PF-FGC-2.65-DB	PF-FGC-2.60-CD	2.68

Use with 5" hole saw for Single Wall sumps

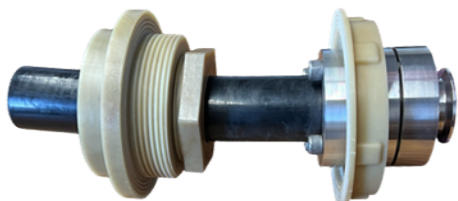
Use with 5 1/2" hole saw for Double Wall sumps

* Clamshell heads on this pipe size will need to be installed inside the sump

"FGC" Compact Penetration Fittings for Semi Rigid Pipe

Technical Data Sheet

Diversified Products Manufacturing Introduces the new Compact Penetration Fitting for semi rigid pipe. Having the ability to attach the End Fitting on DoubleTrac or Brugg pipe outside of UST sump, the UDC sump, and Transition sumps saves significant time on the installation. Using the Compact Penetration Fitting along with the wider sump bodies that are UDC compatible with all dispensers makes the installation a semi rigid piping system considerably easier. Diversified offers two sizes. The smaller size can accommodate pipes with OD's up to 3", while the large size can seal to pipes up through 5" OD.



Assemble outside sump

All components are either UL Listed or third party approved for their respective applications.

Fiberglass penetration fittings have no rubber in the sump. All components are injection molded fiberglass with a fuel rated compression seal. Seal may be replaced if needed.

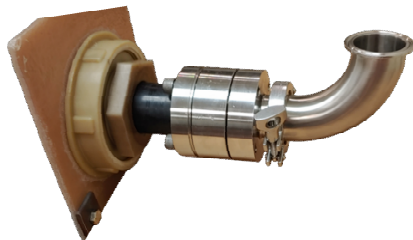
Penetrations are epoxy bonded to sump walls and compression sealed to DoubleTrac pipe without affecting the pipe's interstice.

Penetration fittings tested for sump pressures in excess of 60 PSIG which is equivalent to 138 ft depth of burial.

Fittings are available for 1" UGF FSP-16 Pipe, 1 1/2" UGF FSP-24 pipe and 2" UFG FSP-32 Pipe

No Questions Asked 3 year warranty if leaks are found around the DoubleTrac Pipe due to factory defect.

Manufactured for direct burial, with a push in connection for corrugated ducting or with optional boot for water tight seal to corrugated ducting.



Connect Semi Rigid Pipe to mating component

Note: Follow DoubleTrac Design and installation Guide for instructions for the installing DoubleTrac End Fitting. Likewise, follow Brugg Installation Guide for instructions for the installation of the SECON-X End Fitting.



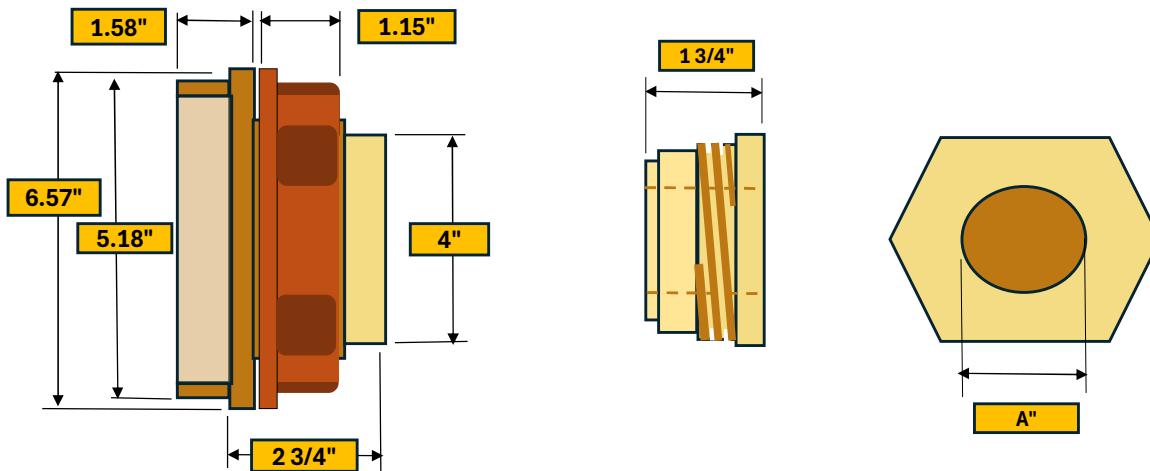
Bond to sump wall outside of the sump.

For Omegaflex DoubleTrac Pipe		
Size	Pipe	Product #
1"	DoubleTrac	PF-FGC-5.0x1.55-DB
1 1/2"	DoubleTrac	PF-FGC-5.0x2.38-DB
2"	DoubleTrac	PF-FGC-5.0x2.93-DB
3"	DoubleTrac	PF-FGC-7.5x TBA
1"	DoubleTrac	PF-FGC-5.0x1.55-CD
1 1/2"	DoubleTrac	PF-FGC-5.0x2.38-CD
2"	DoubleTrac	PF-FGC-5.0x2.93-CD
- DB Direct Burial		- CD Corrugated Ducting
For Brugg Secon X Pipe		
1 1/2"	Secon X SEC 40	PF-FGC-5.0x2.48-DB
2"	Secon X SEC 50	PF-FGC-5.0x2.95-DB
3"	Secon X SEC 100	PF-FGC-7.5x4.76-DB
- DB Direct Burial		

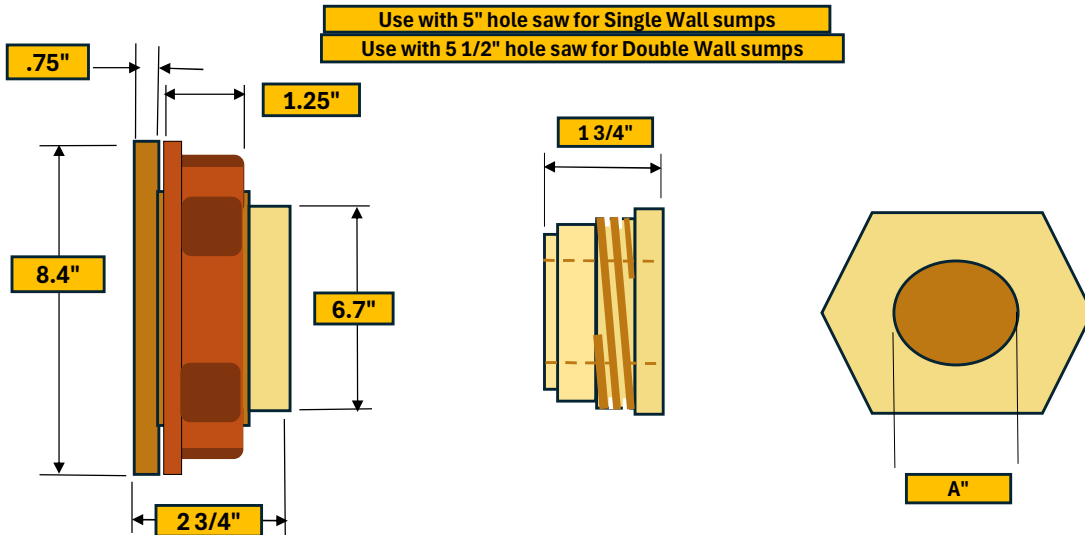
Use Sanding Hole Saw 5" (PF SHS-5.0x6.7) for installation of penetrations. Use CH-DFB-50ml epoxy - 17 ml per fitting for direct bury applications & 35 ml per fitting for corrugated duct applications.

Third Party Approvals





Size	Pipe	Product Number	Dia A" +.005 - .000
1"	Double Trac	PF-FGC-5.0x1.55-D (CD)	1.580
1 1/2"	Double Trac	PF-FGC-5.0x2.38-D (CD)	2.410
2"	Double Trac	PF-FGC-5.0x2.93-D (CD)	2.960
1 1/2"	Secon -X	PF-FGC-5.0x2.48-D (CD)	2.510
2"	Secon -X	PF-FGC-5.0x2.95-D (CD)	2.980



Size	Pipe	Product Number	Dia A" +.005 - .000
3"	Brugg Secon X 100	PF-FGC-7.5x4.6-DB	4.790
3"	Double Trac	PF-FGC-7.5xx	

Use with 7 1/2" hole saw for Single Wall sumps
Use with 8" hole saw for Double Wall sumps

Sanding Hole Saws & Interstice Seals for Double Wall Sumps

Technical Data Sheet

Double wall sumps create sealing problems for many penetration fittings. Diversified Products Manufacturing has developed a very cost effective interstice seal that allows DPM's FGT and FGC series fiberglass penetrations to be used in double wall sumps. The outside of the Interstice Seal is bonded into the sump wall closing off the interstice. A precise fit is assured when using one of Diversified's Sanding Hole Saws that precisely match the hole in the sump diameter to the interstice seal. The inside of the seal is manufactured to fit the penetration fitting. The interstice seal is bonded to the penetration fitting assuring a continuous barrier between the interstice and the pipe passing through the penetration fitting.



Interstice seals are matched to the penetration fitting selected.

Interstice seals are installed using a Sanding Hole Saw. The Sanding Hole Saw has carbide teeth that cuts a precision hole matching the interstice seal.

The hole saw is backed with an aluminum disc with an abrasive surface.

Abrasive surfaces are replaceable in the field by bonding on commercial sand paper of the grit desired.

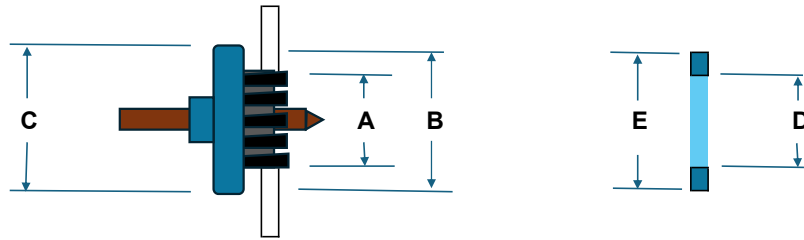
Interstice Seals are injection molded fiberglass.

Interstice Seals are available to match all Diversified Penetration

Use CH-DFB-50ml Epoxy for bonding the interstice seal to the sump wall.



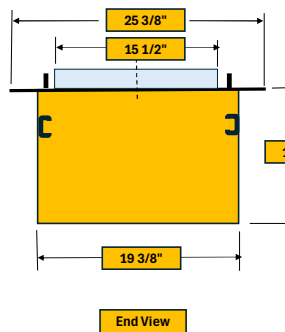
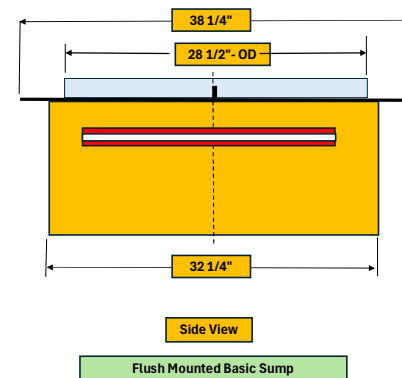
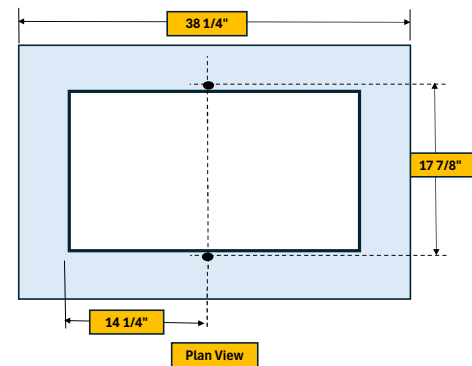
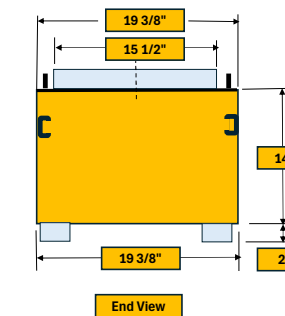
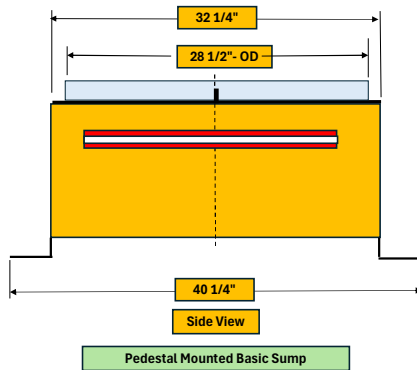
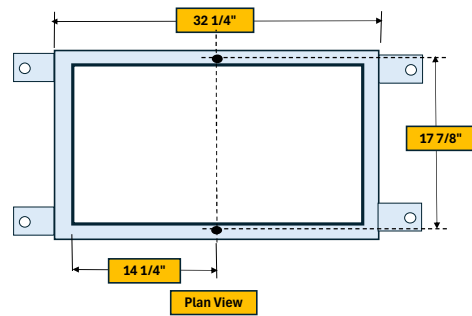
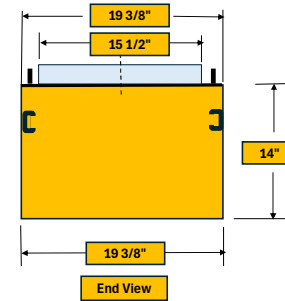
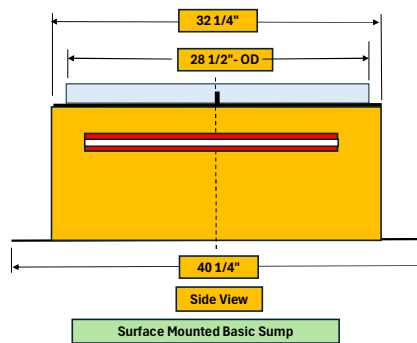
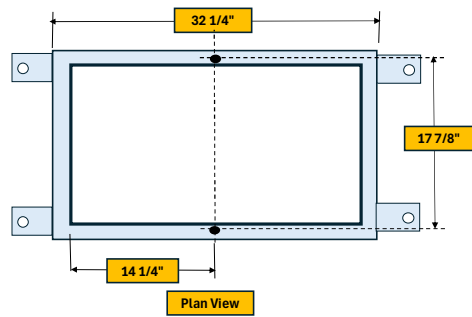
Bonded Conduit applications	ES-IS-2.0	3 ml
For FGT (4 1/2") OD Penetrations	ES-IS-5.0	5 ml
For FGC (5") OD Penetrations	ES-IS-5.5	7 ml
For FGC (7 1/2") OD Penetrations	ES-IS-7.5	15 ml



A Hole Saw	B Bonding Diameter	C SHS Diameter	SHS Product Number	Application	Sump
1 3/4	2.61"	2.68"	PF-SHS-1.75x2.8	Bonded Electrical Conduit 3/4"	Single Wall
1 3/4	2.61"	2.68"	PF-SHS-1.75x2.8	Bonded Electrical Conduit 1"	Single Wall
2	2.97	3	PF-SHS-2x3	B2 Threaded Traditional Design	Single Wall
3.5	5.04	5.2	PF-SHS-3.5x5.2	B3.5 Threaded Traditional Design	Single Wall
5	6.54	6.7	PF-SHS-5x6.7	B5 Threaded Traditional Design	Single Wall
6	7.43	7.6	PF-SHS-6x7.6	B6 Threaded Traditional Design	Single Wall
2 1/4	4.34	4.5	PF-SHS-2.25x4.5	4 Stud Traditional Design	Single Wall
4	6.34	6.5	PF-SHS-4x6.7	8 Stud Traditional Design	Single Wall
5 1/2	7.96	8	PF-SHS-5.5x8	10 Stud Traditional Design	Single Wall
4 1/2	6.25	6.38	PF-SHS-4.5x6.38	FGT Fiberglass Fittings	Single Wall
5	6.55	6.65	PF-SHS-5.0x6.7	FGC Fiberglass Fittings	Single Wall
7 1/2	8.5	9.5	PF-SHS-7.5x9.5	Interstice Seal for Large FGC fitting	Single Wall

A Hole Saw	B Bonding Diameter	C SHS Diameter	D Seal ID	E Seal OD	SHS Product Number	Interstice Seal Product Number	Application	Sump
2	2.61"	2.68"			PF-SHS-2x2.8	ES-IS-2.0	2" Interstice seal for Bonded Electrical Conduit 3/4"	Double Wall
2	2.61"	2.68"			PF-SHS-2x2.8	ES-IS-2.0	2" Interstice seal for Bonded Electrical Conduit 1"	Double Wall
								Double Wall
								Double Wall
								Double Wall
								Double Wall
								Double Wall
								Double Wall
								Double Wall
								Double Wall
5	6.25	6.38	4.5	5	PF-SHS-5.0x6.38	ES-IS-5.0	Interstice Seal for FGT Fiberglass Fittings	Double Wall
5 1/2	6.55	6.85	5	5 1/2	PF-SHS-5.5x6.7	ES-IS-5.5	Interstice Seal for FGC Fibreglas fittings	Double Wall
8	9.0	9.0	7	7 1/2	PF-SHS-8.0x9.5	ES-IS-8.0	Interstice Seal for Large FGC Fiberglass Fitting	Double Wall

Contact Factory for Applications



Material: 12 Gauge 304 Stainless

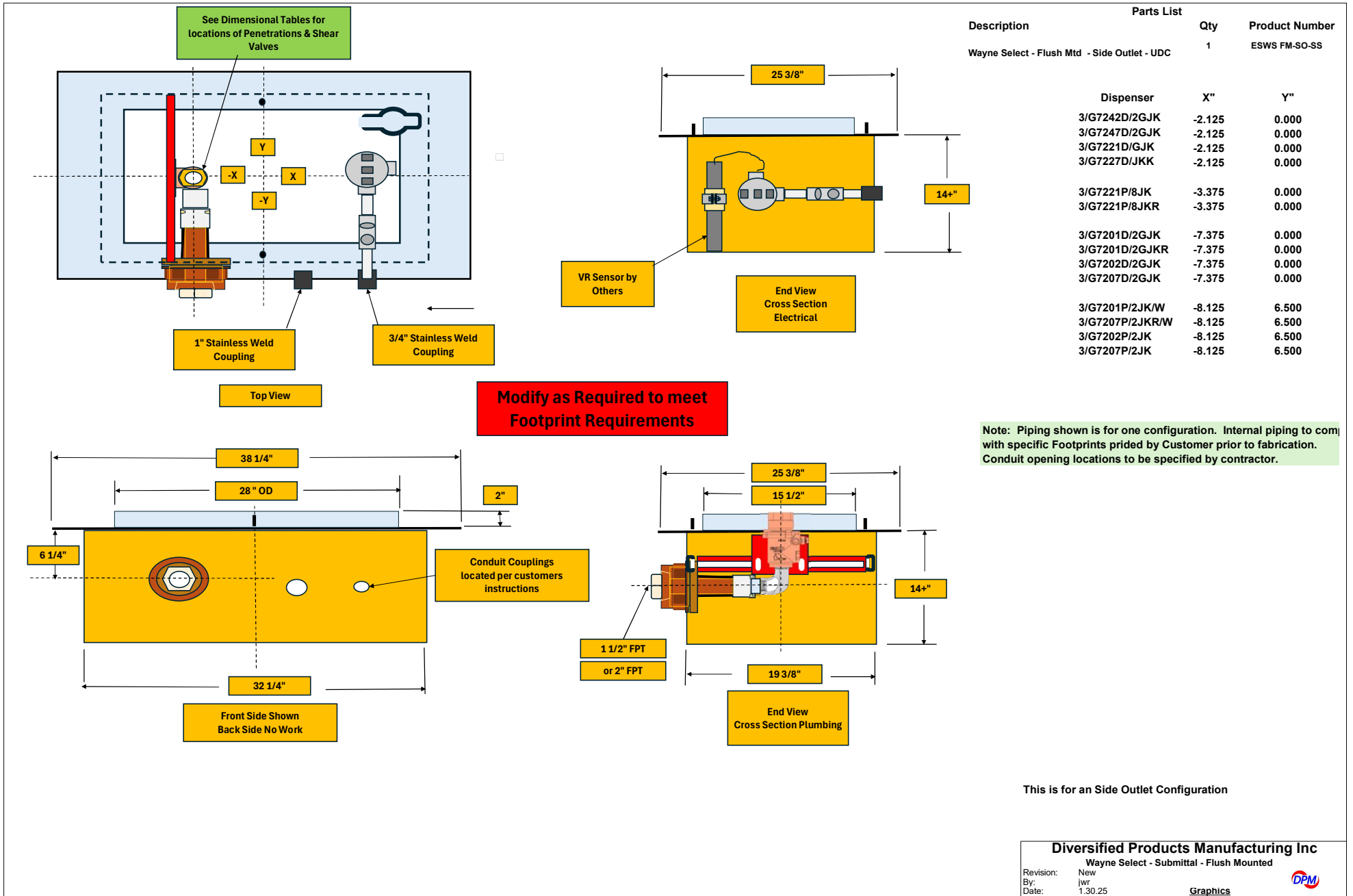
Description	Qty	Product Number
Wayne Select Surface Mounted UDC	1	ESWS-SM
Wayne Select Pedestal Mounted UDC	1	ESWS-PM
Wayne Select Flush Mounted UDC	1	ESWS-FM

Diversified Products Manufacturing Inc
Wayne Select - Basic Sump Assemblies

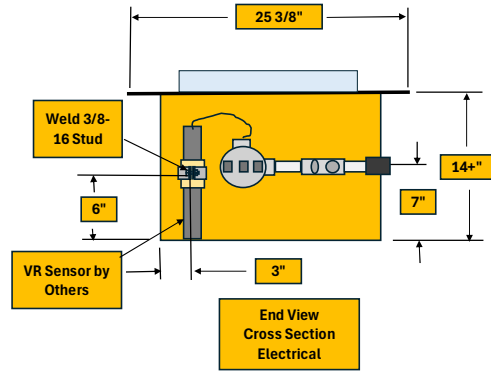
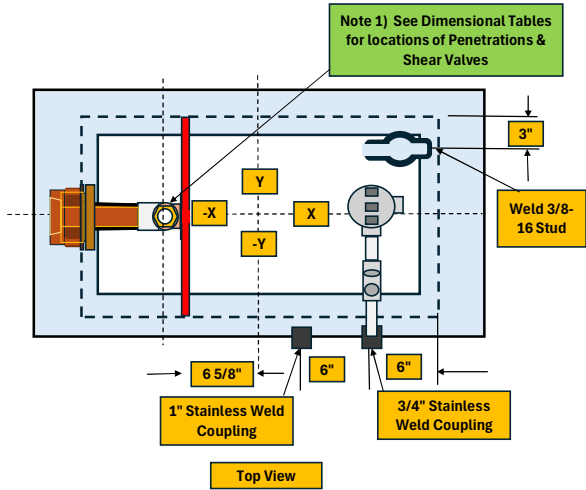
Revision: New
By: jw
Date: 1.29.25

Graphics

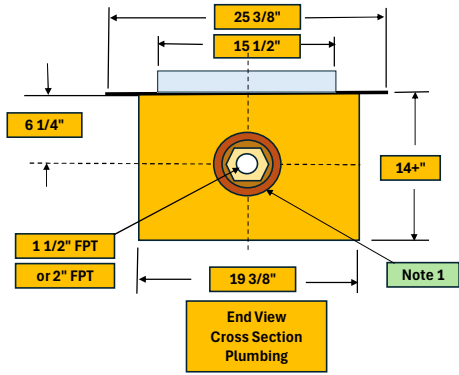
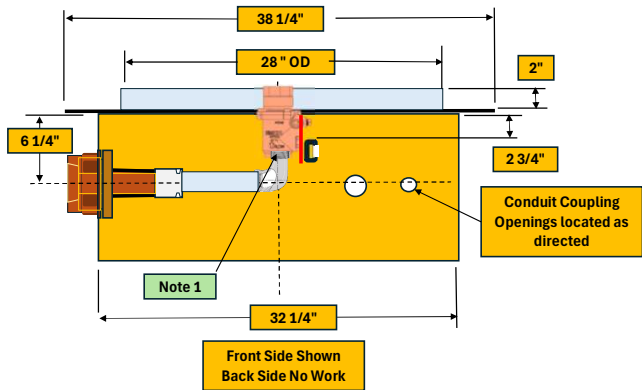




Diversified Products Manufacturing Inc
 Wayne Select - Submittal - Flush Mounted
 Revision: New
 By: jwr
 Date: 1.30.25
 Graphics 



Modify as Required to meet Footprint Requirements



Description	Parts List	Qty	Product Number
Wayne Select - Flush Mounted - End Outlet - UDC		1	ESWS-FM-EO-SS

Dispenser	X"	Y"
3/G7242D/2GJK	-2.125	0.000
3/G7247D/2GJK	-2.125	0.000
3/G7221D/GJK	-2.125	0.000
3/G7227D/JKK	-2.125	0.000
3/G7221P/8JK	-3.375	0.000
3/G7221P/8JKR	-3.375	0.000
3/G7201D/2GJK	-7.375	0.000
3/G7201D/2GJKR	-7.375	0.000
3/G7202D/2GJK	-7.375	0.000
3/G7207D/2GJK	-7.375	0.000
3/G7201P/2JK/W	-8.125	6.500
3/G7207P/2JKR/W	-8.125	6.500
3/G7202P/2JK	-8.125	6.500
3/G7207P/2JK	-8.125	6.500

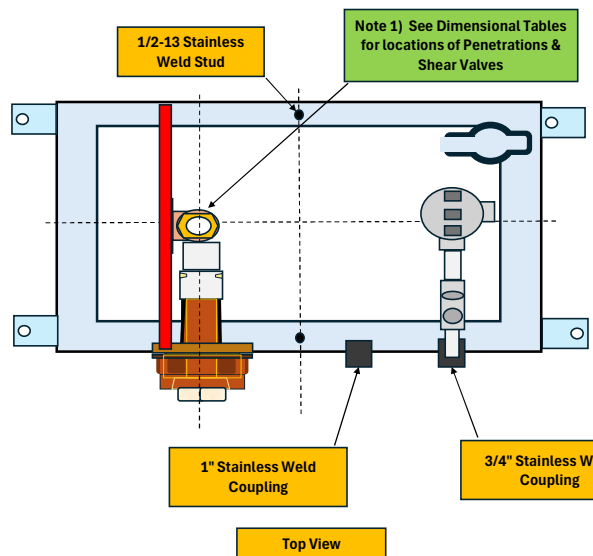
Material: 12 Gauge 304 Stainless

This is for an End Outlet Configuration

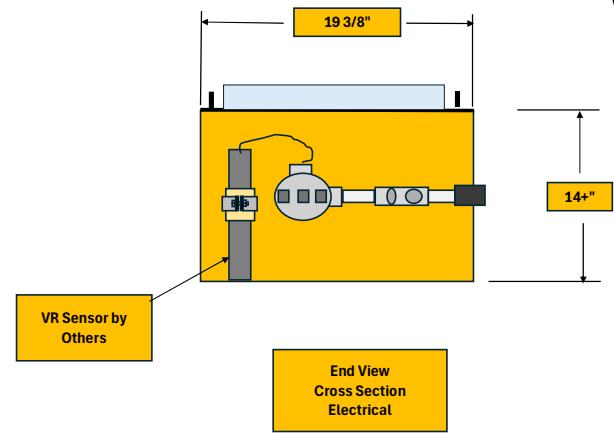
Diversified Products Manufacturing Inc
Wayne Select - Submittal - Flush Mounted

Revision: New
By: jwr
Date: 7.14.2024

Graphics

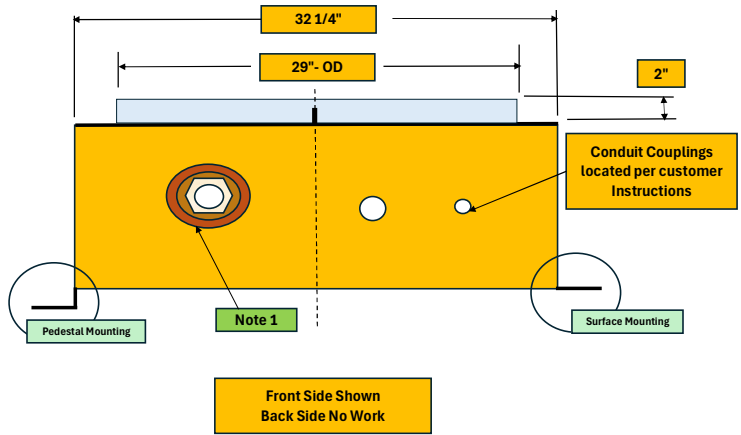


Top View

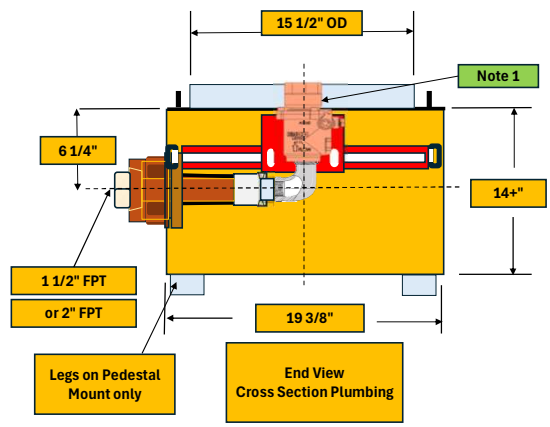


End View Cross Section Electrical

Modify as Required to meet Footprint Requirements



Front Side Shown Back Side No Work



End View Cross Section Plumbing

Description	Qty	Product Number
Wayne Select Surface Mtd UDC	1	ESWS-SM-SO-SS
Wayne Select Pedestal Mtd UDC	1	ESWS-PM-SO-SS

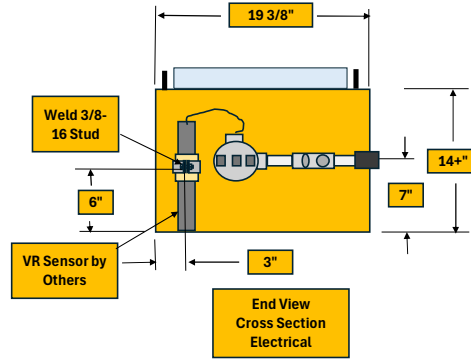
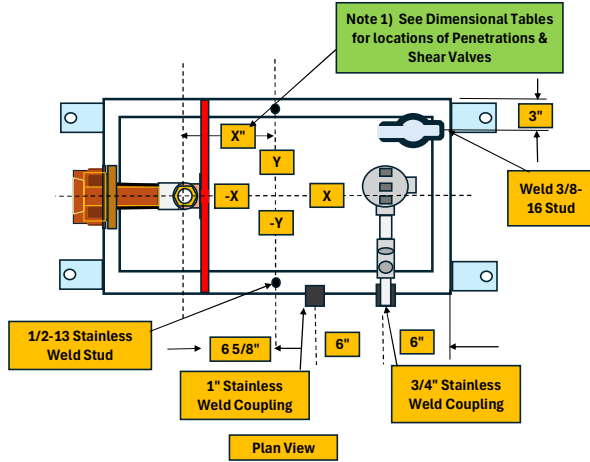
Dispenser	X"	Y"
3/G7242D/2GJK	-2.125	0.000
3/G7247D/2GJK	-2.125	0.000
3/G7221D/GJK	-2.125	0.000
3/G7227D/JKK	-2.125	0.000
3/G7221P/8JK	-3.375	0.000
3/G7221P/8JKR	-3.375	0.000
3/G7201D/2GJK	-7.375	0.000
3/G7201D/2GJKR	-7.375	0.000
3/G7202D/2GJK	-7.375	0.000
3/G7207D/2GJK	-7.375	0.000
3/G7201P/2JK/W	-8.125	6.500
3/G7207P/2JKR/W	-8.125	6.500
3/G7202P/2JK	-8.125	6.500
3/G7207P/2JK	-8.125	6.500

This is for a side outlet configuration

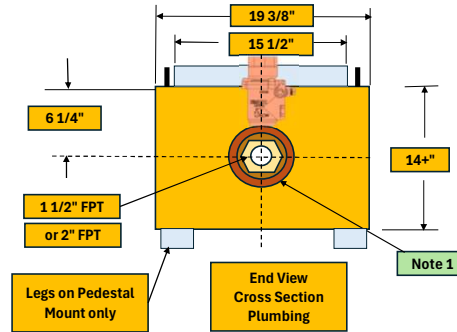
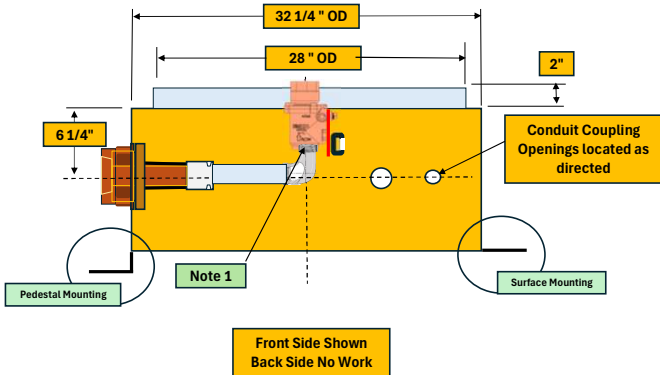
Material: 12 Gauge 304 Stainless Steel

Diversified Products Manufacturing Inc
 Wayne Select - Submittal - Surface & Pedestal Mounted
 Revision: added Pedestal Mounting
 By: jwr
 Date: 1.26.25

Graphics



Modify as Required to meet Footprint Requirements



Description	Qty	Product Number
Wayne Select Surface Mtd UDC	1	ESWS-SM-EO-SS
Wayne Select Pedestal Mtd UDC	1	ESWS-PM-EO-SS

Dispenser	X"	Y"
3/G7242D/2GJK	-2.125	0.000
3/G7247D/2GJK	-2.125	0.000
3/G7221D/GJK	-2.125	0.000
3/G7227D/JKK	-2.125	0.000
3/G7221P/8JK	-3.375	0.000
3/G7221P/8JKR	-3.375	0.000
3/G7201D/2GJK	-7.375	0.000
3/G7201D/2GJKR	-7.375	0.000
3/G7202D/2GJK	-7.375	0.000
3/G7207D/2GJK	-7.375	0.000
3/G7201P/2JK/W	-8.125	6.500
3/G7207P/2JKR/W	-8.125	6.500
3/G7202P/2JK	-8.125	6.500
3/G7207P/2JK	-8.125	6.500

This is for an End Outlet Configuration

Material: 12 Gauge 304 Stainless

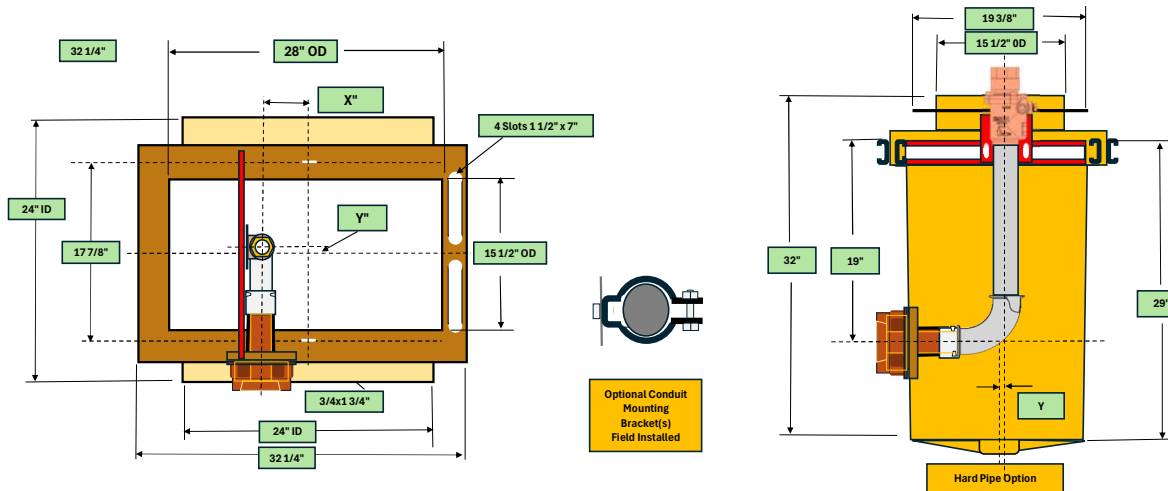
Diversified Products Manufacturing Inc
Wayne Select - Submittal - Surface & Pedestal Mounted

Revision: added Pedestal Mounting
By: iw
Date: 1.26.25

Graphics

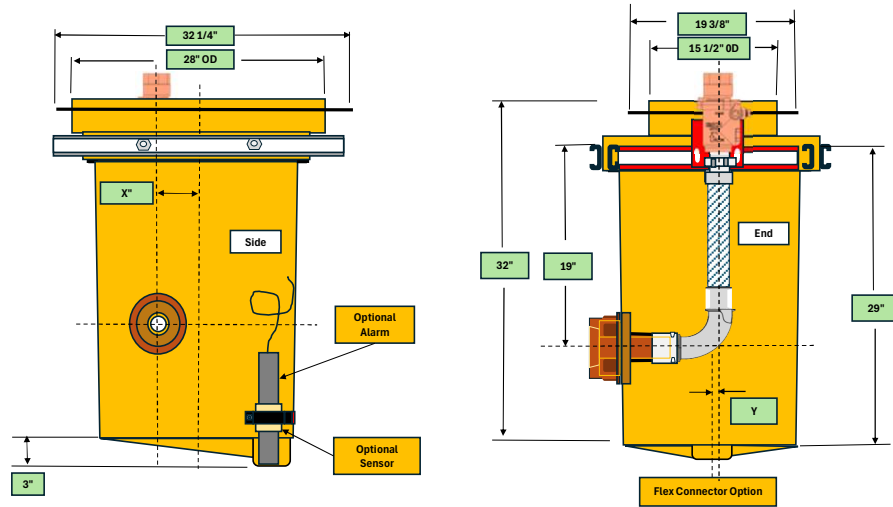
Parts List

Description	Qty	Product Number
Wayne Select 7200 Series Below Grade UI	1	ESWS-BG 1L



Options

- 3/4" & 1" Conduit Mounting Brackets
- Stainless Shear Valve
- Alarm Sensor by DPM
- Sensor Bracket Installed by DPM
- Hard Pipe in Lieu of Flex Connector



Note: As sump is square shape, End Outlet and Side Outlet configurations are essentially the same.

Dispenser	X"	Y"
3/G7242D/2GJK	-2.125	0.000
3/G7247D/2GJK	-2.125	0.000
3/G7221D/GJK	-2.125	0.000
3/G7227D/JKK	-2.125	0.000
3/G7221P/8JK	-3.375	0.000
3/G7221P/8JKR	-3.375	0.000
3/G7201D/2GJK	-7.375	0.000
3/G7201D/2GJKR	-7.375	0.000
3/G7202D/2GJK	-7.375	0.000
3/G7207D/2GJK	-7.375	0.000
3/G7201P/2JK/W	-8.125	6.500
3/G7207P/2JKR/W	-8.125	6.500
3/G7202P/2JK	-8.125	6.500
3/G7207P/2JK	-8.125	6.500

Material: Virgin Fiberglass 1/4" Wall Standard

This Layout is for the Wayne Select 7200 - 1 Line Dispensers Below Grade UDC

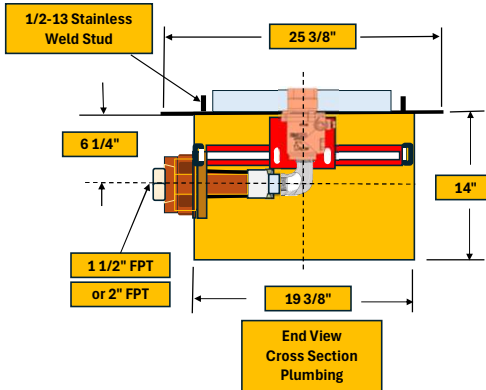
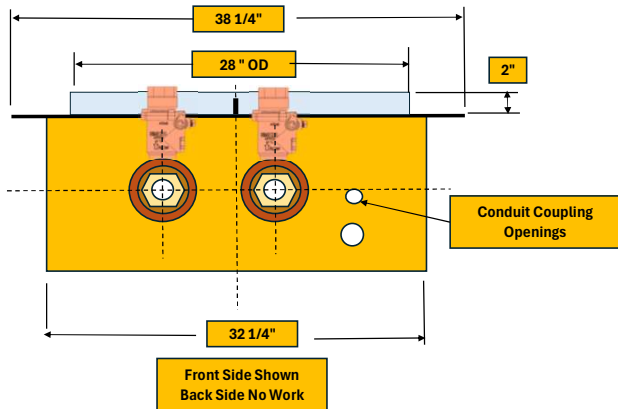
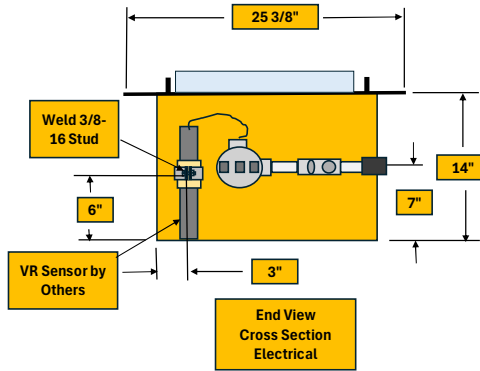
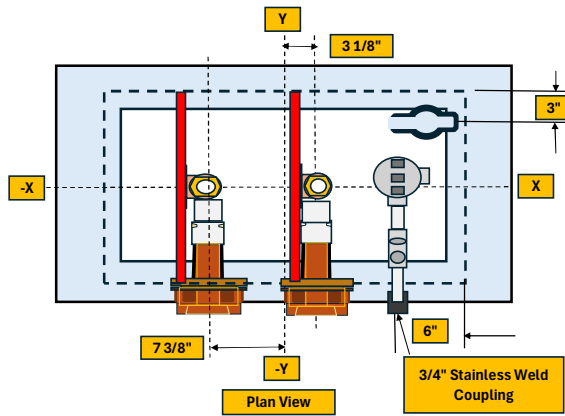
Diversified Products Manufacturing Inc

Wayne Select - Below Grade - Under Dispenser Containment

Revision: New
By: jwr
Date: 2.1.25

Graphics





Description	Parts List	Qty	Product Number
Wayne Select Flush Mounted UDC w/2 Lines		1	ESWS-FM-SO-SS-2L

Dispenser	Line 1		Line 2	
	X"	Y"	X"	Y"
3/G7203D/28GJK	-7.375	0.000	3.125	0.000
3/G7208D/28GJK	-7.375	0.000	3.125	0.000
3/G7203D/2GJK	-7.375	0.000	3.125	0.000
3/G7208D/2GJK	-7.375	0.000	3.125	0.000

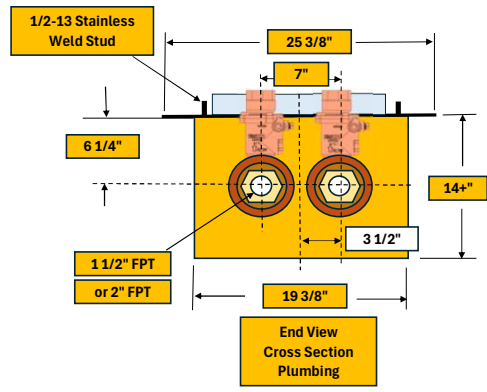
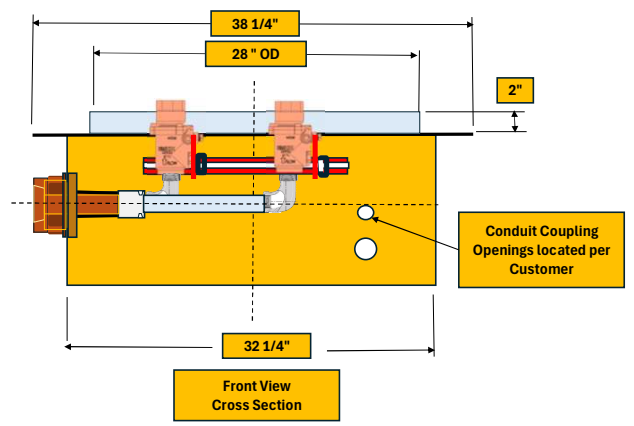
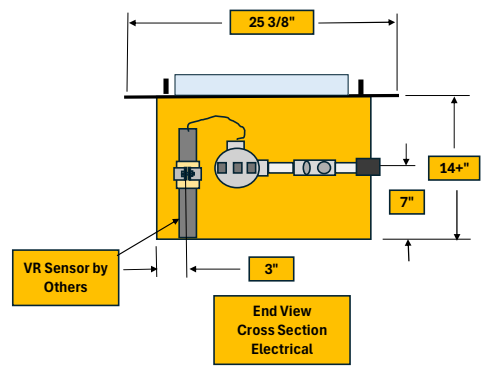
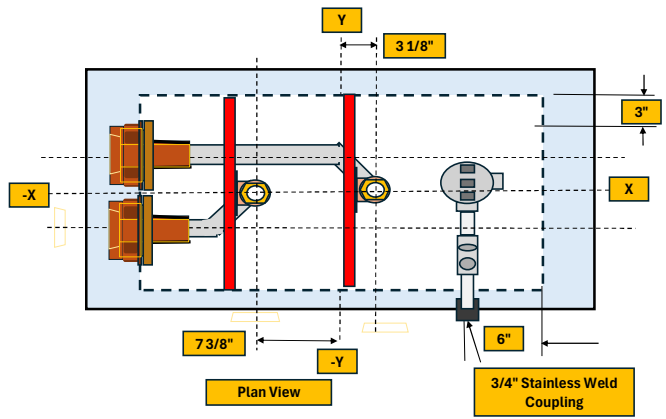
This is for a Side Outlet Configuration

Material: 12 Gauge 304 Stainless Steel

Diversified Products Manufacturing Inc
 Wayne Select - Submittal - Flush Mounted
 Revision: New
 By: jwr
 Date: 12.30.24

Graphics 

Description	Parts List	Qty	Product Number
Wayne Select Flush Mounted UDC w/2 Lines		1	ESWS-FM-EO-SS-2L




Dispenser	Line 1		Line 2	
	X"	Y"	X"	Y"
3/G7203D/28GJK	-7.375	0.000	3.125	0.000
3/G7208D/28GJK	-7.375	0.000	3.125	0.000
3/G7203D/2GJK	-7.375	0.000	3.125	0.000
3/G7208D/2GJK	-7.375	0.000	3.125	0.000

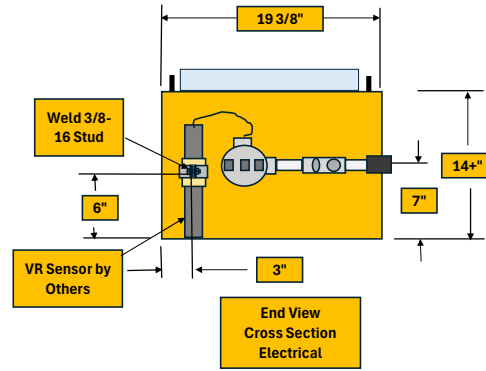
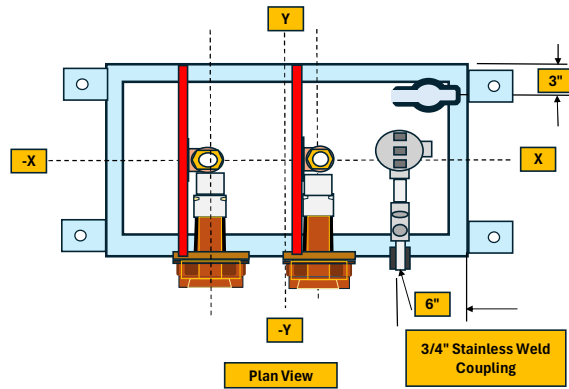
Material: 12 Gauge 304 Stainless

This is for an End Outlet Configuration

Diversified Products Manufacturing Inc
Wayne Select -Submittal - Flush Mounted

Revision: New
By: jwf
Date: 12.30.24

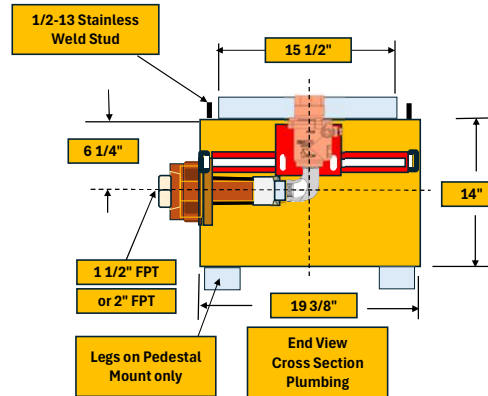
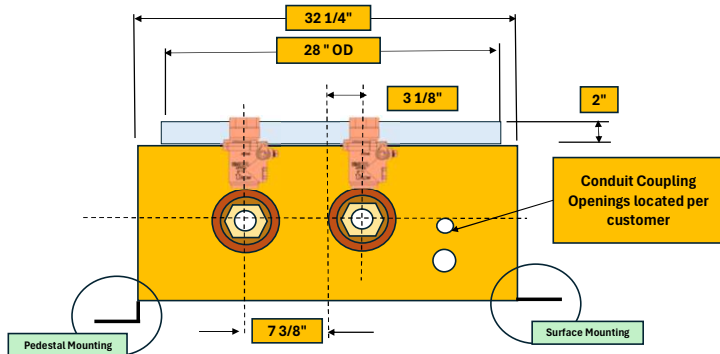
Graphics 



Description	Qty	Product Number
Wayne Select Surface Mounted UDC	1	ESWS SM-SO-SS-2L
Wayne Select Pedestal Mounted UDC	1	ESWS PM-SO-SS-2L
w/2 lines For 3/G7203D & 3/G7208D Series		

2 Line Dispensers

Dispenser	Line 1		Line 2	
	X"	Y"	X"	Y"
3/G7203D/28GJK	-7.375	0.000	3.125	0.000
3/G7208D/28GJK	-7.375	0.000	3.125	0.000
3/G7203D/2GJK	-7.375	0.000	3.125	0.000
3/G7208D/2GJK	-7.375	0.000	3.125	0.000

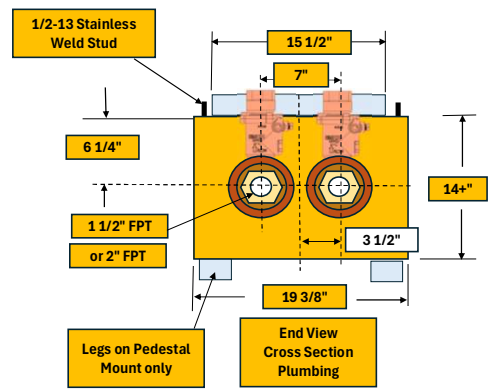
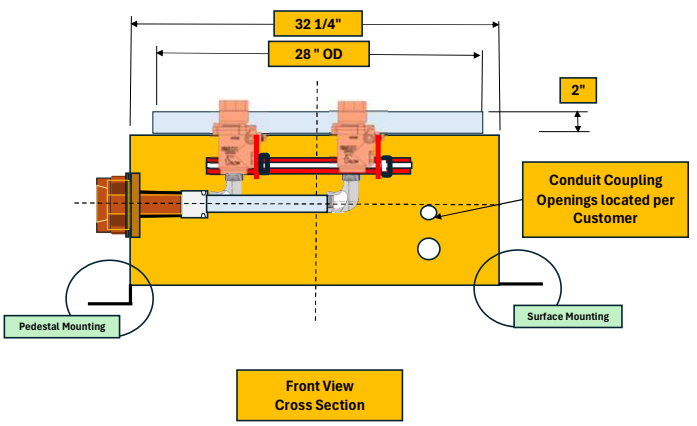
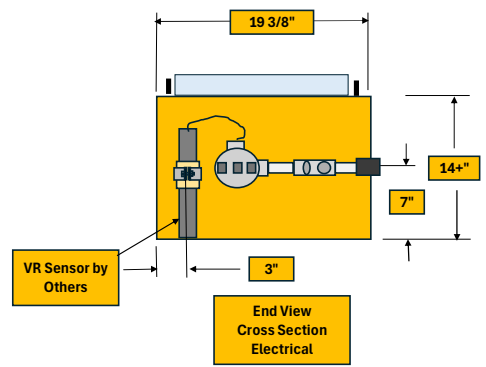
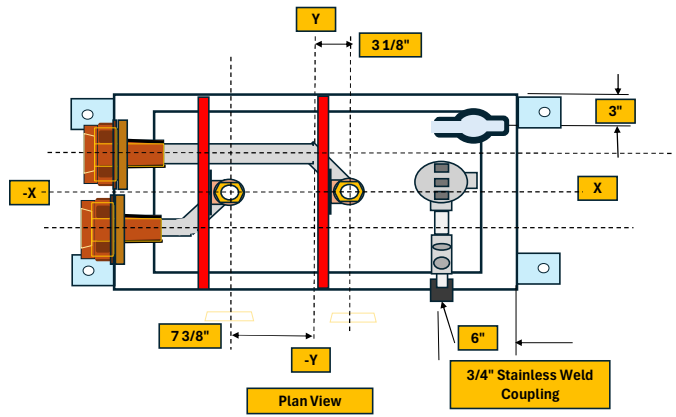


This is for a Side Outlet Configuration

Material: 12 Gauge 304 Stainless

Diversified Products Manufacturing Inc
 Wayne Select - Submittal - Surface & Pedestal Mounted
 Revision: added pedestal Mounting
 By: jwr
 Date: 1.26.25 **Graphics**





Description	Qty	Product Number
Wayne Select Surface Mounted UDC	1	ESWS-SM-EO-SS-2L
Wayne Select Pedestal Mounted UDC	1	ESWS-PM-EO-SS-2L
w/2 Lines For 3/G7203D & 3/G7208D Series		

Dispenser	Line 1		Line 2	
	X"	Y"	X"	Y"
3/G7203D/28GJK	-7.375	0.000	3.125	0.000
3/G7208D/28GJK	-7.375	0.000	3.125	0.000
3/G7203D/2GJK	-7.375	0.000	3.125	0.000
3/G7208D/2GJK	-7.375	0.000	3.125	0.000

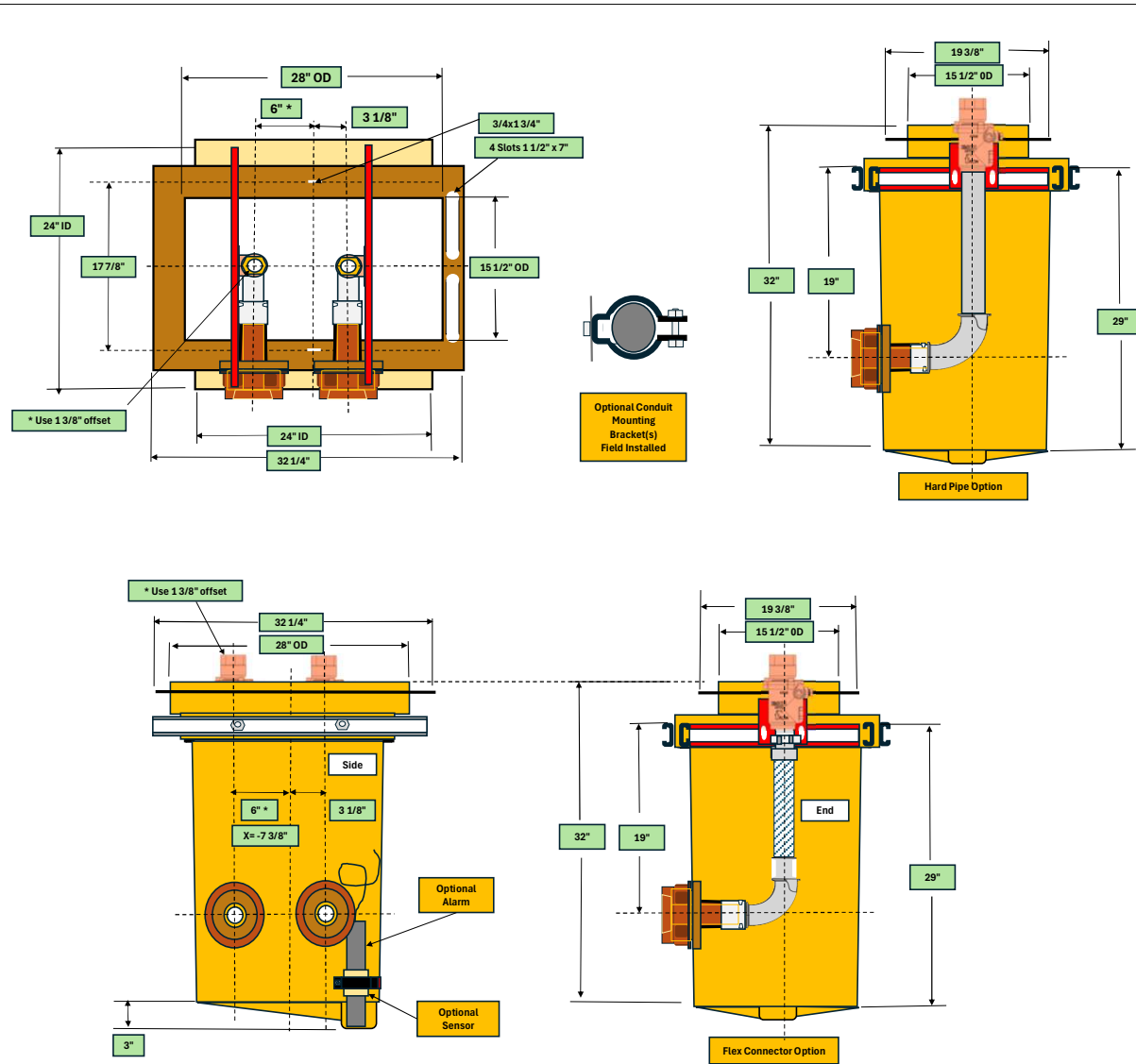
Material: 12 Gauge 304 Stainless

This is for an End Outlet Configuration

Diversified Products Manufacturing Inc
 Wayne Select - Submittal - Surface & Pedestal Mounted

Revision: added Pedestal Mounting
 By: jwr
 Date: 1.26.25 **Graphics**





Material: 12 Gauge 304 Stainless

Description	Parts List	Qty	Product Number
Wayne Select 7200 Series Below Grade UDC		1	ESWS-BG SO 2L

Options

- 3/4" & 1" Conduit Mounting Brackets
- Stainless Shear Valve
- Alarm Sensor by DPM
- Sensor Bracket Installed by DPM
- Hard Pipe in Lieu of Flex Connector
- 1 3/8" Offset"

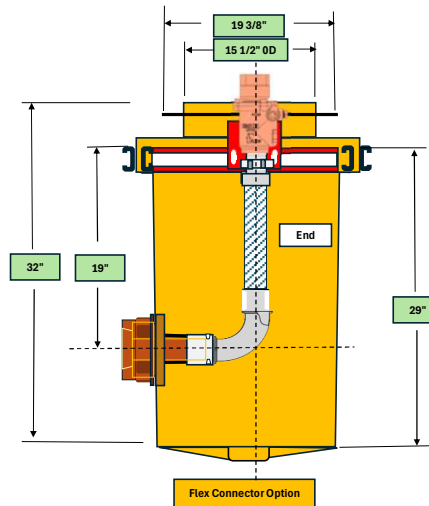
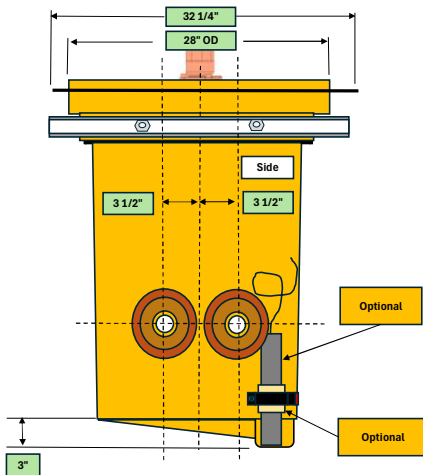
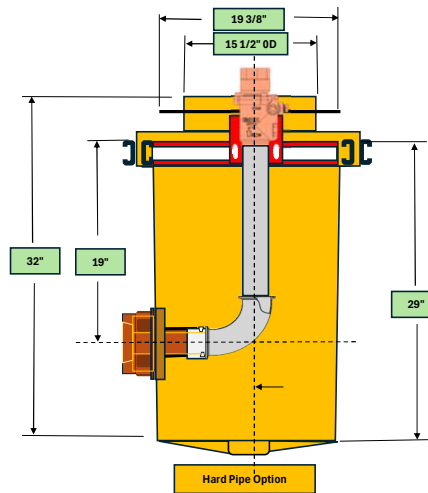
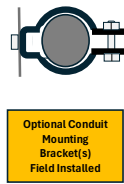
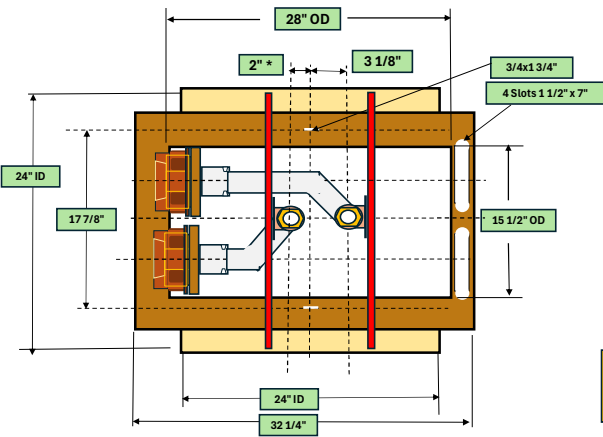
Dispenser	2 Line Dispensers		2 Line Dispensers	
	Line 1		Line 2	
	X"	Y"	X"	Y"
3/G7203D/28GJK	-7.375	0.000	3.125	0.000
3/G7208D/28GJK	-7.375	0.000	3.125	0.000
3/G7203D/2GJK	-7.375	0.000	3.125	0.000
3/G7208D/2GJK	-7.375	0.000	3.125	0.000

This Layout is for the Wayne Select 7200 - 2 Line Dispensers "D" Series Side Outlet Below Grade UDC

Diversified Products Manufacturing Inc
Wayne Select - Below Grade - Under Dispenser Containment

Revision:	New
By:	jwr
Date:	2.1.25

Graphics



Description	Parts List	Qty	Product Number
Wayne Select 7200 Series Below Grade UDC		1	ESWS-BG EO 2L

Options

- 3/4" & 1" Conduit Mounting Brackets
- Stainless Shear Valve
- Alarm Sensor by DPM
- Sensor Bracket Installed by DPM
- Hard Pipe in Lieu of Flex Connector


Dispenser	2 Line Dispensers		Line 2	
	Line 1 X"	Line 1 Y"	X"	Y"
3/G7203D/28GJK	-7.375	0.000	3.125	0.000
3/G7208D/28GJK	-7.375	0.000	3.125	0.000
3/G7203D/2GJK	-7.375	0.000	3.125	0.000
3/G7208D/2GJK	-7.375	0.000	3.125	0.000

Material: Virgin Fiberglass 1/4" Wall Standard

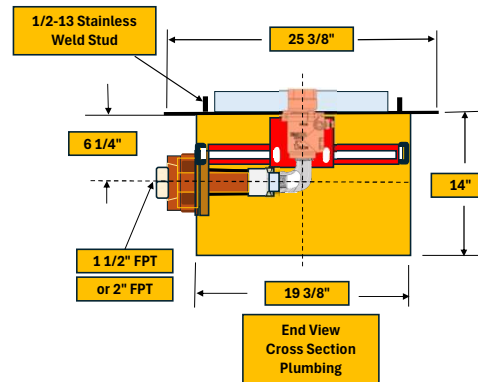
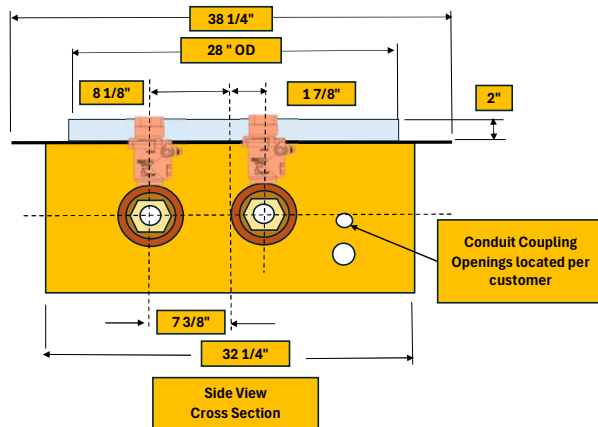
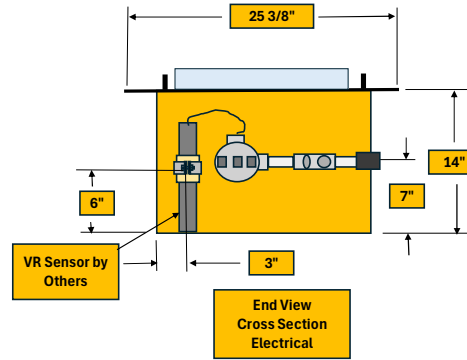
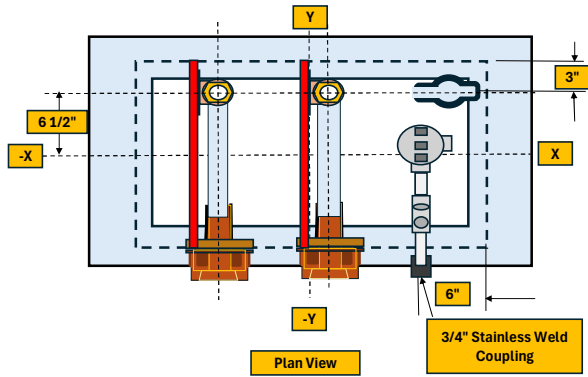
This Layout is for the Wayne Select 7200 - 2 Line Dispensers "D" Series End Outlet Below Grade UDC

Diversified Products Manufacturing Inc
 Wayne Select - Below Grade - Under Dispenser Containment

Revision: New
 By: jwr
 Date: 2.1.25

Graphics 

Description	Parts List	Qty	Product Number
Wayne Select Flush Mounted UDC w/2 Lines For 3/G7203P & 3/G7208P Series		1	ESWS-FM-SO-SS-2L



2 Line Dispensers

Dispenser	Line 1		Line 2	
	X"	Y"	X"	Y"
3/G7203P/28JK/W	-8.125	6.500	1.875	6.500
3/G7203P/2JK/W	-8.125	6.500	1.875	6.500
3/G7208P/28JK/W	-8.125	6.500	1.875	6.500
3/G7203P/2JK/W	-8.125	6.500	1.875	6.500

This is for a Side Outlet Configuration

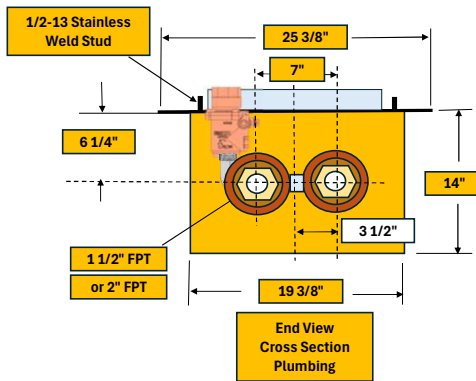
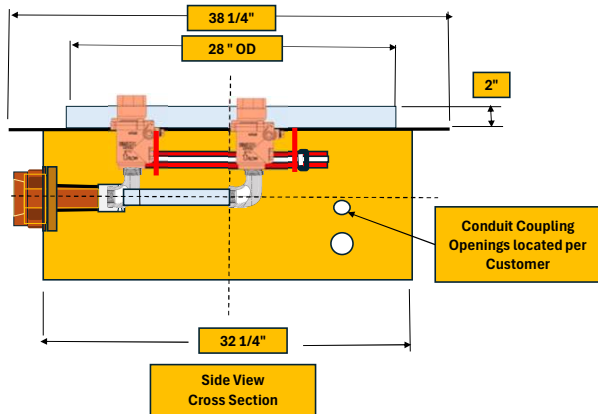
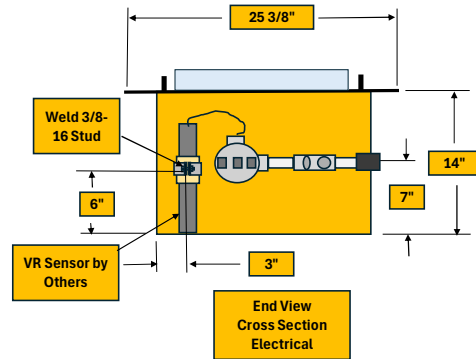
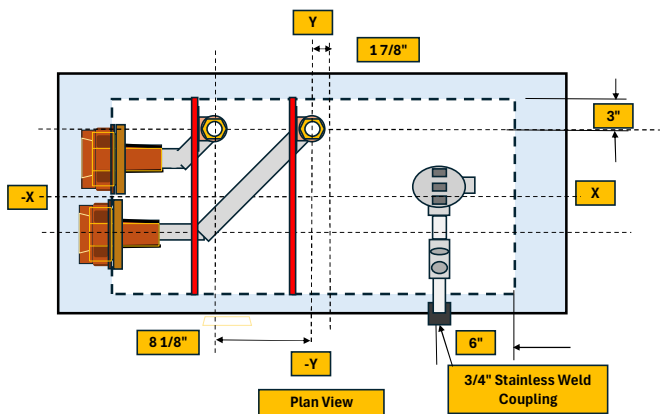
Material: 12 Gauge 304 Stainless

Diversified Products Manufacturing Inc
Wayne Select - Submittal - Flush Mounted

Revision: New
By: iwr
Date: 1.31.25

Graphics





Description	Parts List	Qty	Product Number
Wayne Select Flush Mounted UDC w/2 Lin For use with 3/G7203P and 3/G7208P Series dispensers		1	ESWS FM-EO-SS-2L

Dispenser	2 Line Dispensers		Line 2	
	Line 1 X"	Line 1 Y"	X"	Y"
3/G7203P/28JK/W	-8.125	6.500	1.875	6.500
3/G7203P/2JK/W	-8.125	6.500	1.875	6.500
3/G7208P/28JK/W	-8.125	6.500	1.875	6.500
3/G7208P/2JK/W	-8.125	6.500	1.875	6.500

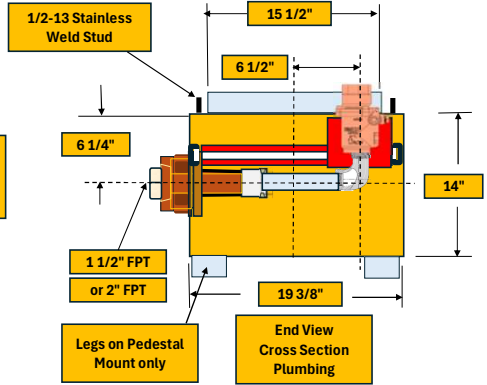
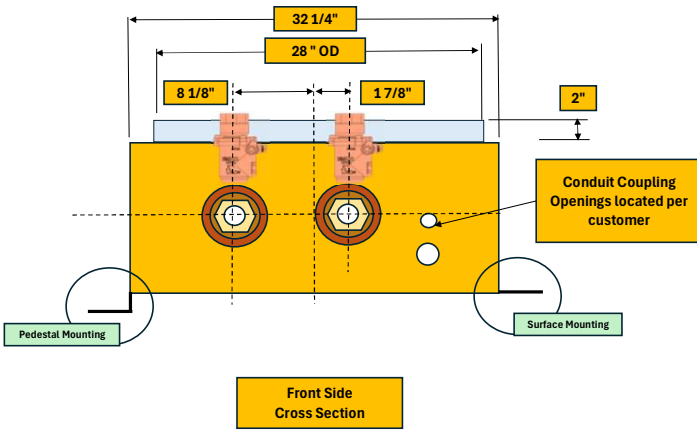
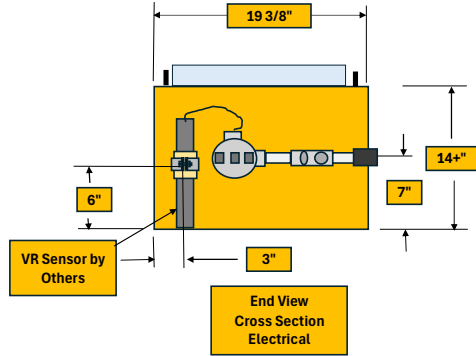
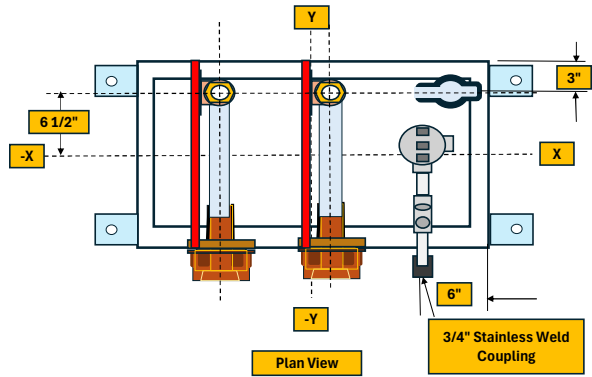
Material: 12 Gauge 304 Stainless

This is for an End Outlet Configuration

Diversified Products Manufacturing Inc
Wayne Select - Submittal - Flush Mounted

Revision: New
By: iwr
Date: 12.30.24

Graphics 



Description	Parts List	Qty	Product Number
Wayne Select Surface Mounted UDC		1	ESWS SM-SO-SS-2L
Wayne Select Pedestal Mounted UDC		1	ESWS PM-SO-SS-2L
w/2 Lines For use with 3/G7203P and 3/G7208P Series disp			

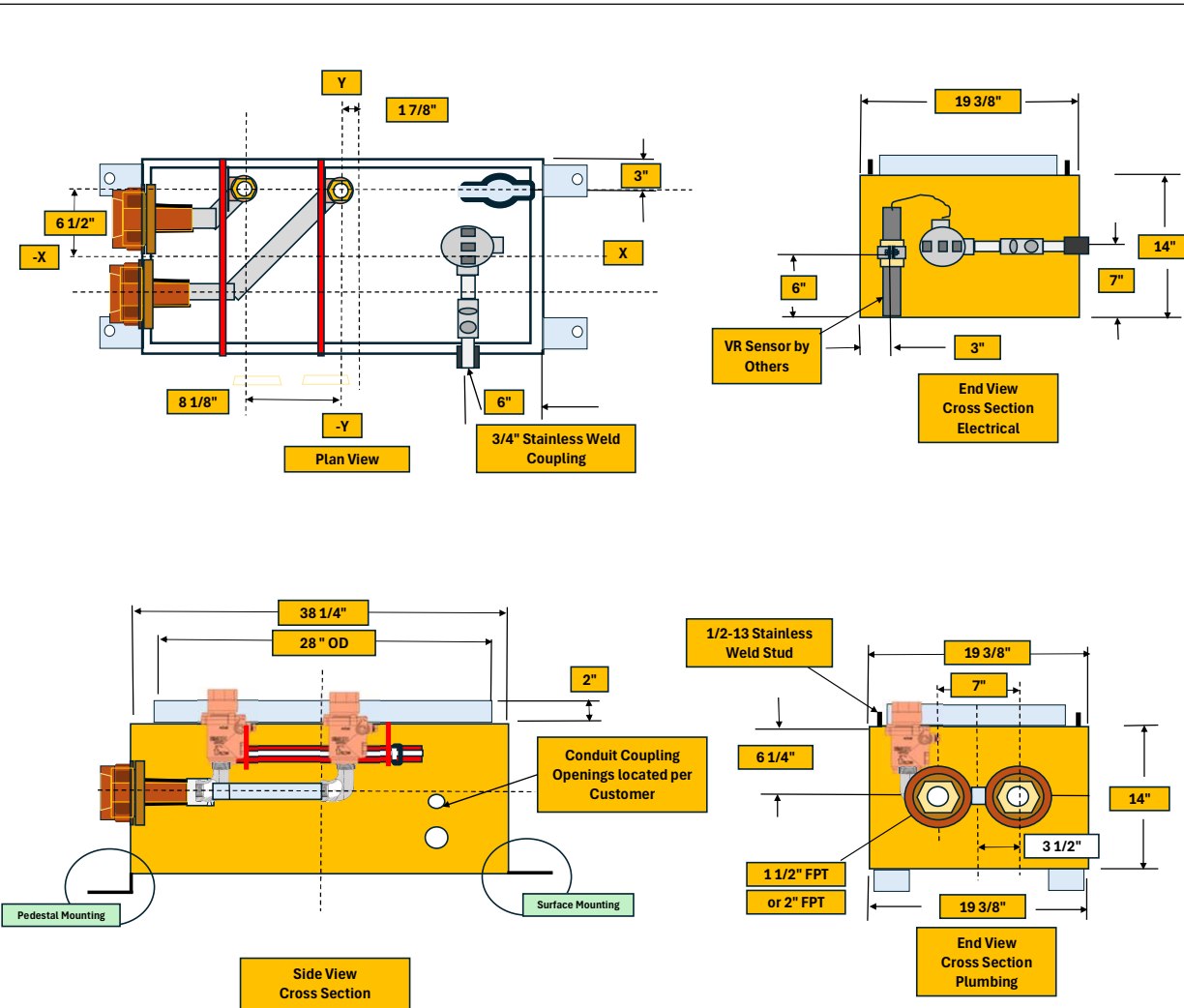
Dispenser	Line 1		Line 2	
	X"	Y"	X"	Y"
3/G7203P/28JK/W	-8.125	6.500	1.875	6.500
3/G7203P/2JK/W	-8.125	6.500	1.875	6.500
3/G7208P/28JK/W	-8.125	6.500	1.875	6.500
3/G7203P/2JK/W	-8.125	6.500	1.875	6.500

Material: 12 Gauge 304 Stainless

This is for a Side Outlet Configuration

Diversified Products Manufacturing Inc
 Wayne Select - Submittal - Surface & Pedestal Mounted
 Revision: added Pedestal Mounting
 By: iwr
 Date: 1.26.25 **Graphics**





Description	Parts List	Qty	Product Number
Wayne Select Surface Mounted UDC		1	ESWS SM-EO-SS-2L
Wayne Select Pedestal Mounted UDC		1	ESWS PM-EO-SS-2L
w/2 Lines For use with 3/G7203P and 3/G7208P Series dispensers			

Dispenser	2 Line Dispensers		2 Line Dispensers	
	Line 1	Line 2	Line 1	Line 2
	X"	Y"	X"	Y"
3/G7203P/28JK/W	-8.125	6.500	1.875	6.500
3/G7203P/2JK/W	-8.125	6.500	1.875	6.500
3/G7208P/28JK/W	-8.125	6.500	1.875	6.500
3/G7203P/2JK/W	-8.125	6.500	1.875	6.500

This is for an End Outlet Configuration

Material: 12 Gauge 304 Stainless

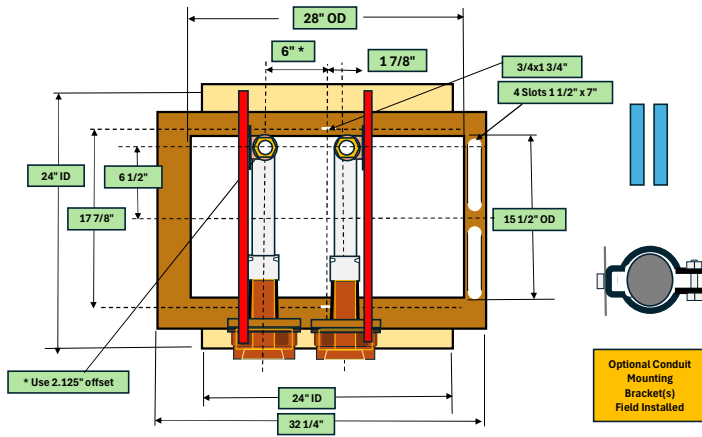
Diversified Products Manufacturing Inc
 Wayne Select - Submittal - Surface & Pedestal Mounted

Revision: added Pedestal Mounting
 By: jwr
 Date: 1.26.25

Graphics

Parts List

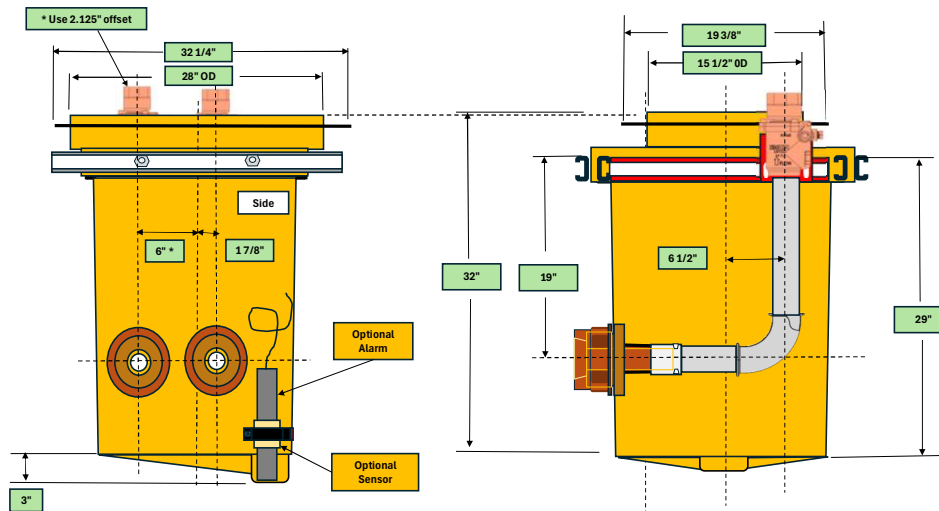
Description	Qty	Product Number
Wayne Select 7200 Series Below Grade UDC	1	ESWS-BG SO 2L



Options

- 3/4" & 1" Conduit Mounting Brackets
- Stainless Shear Valve
- Alarm Sensor by DPM
- Sensor Bracket Installed by DPM
- Hard Pipe in Lieu of Flex Connector
- 2 1/8" Offset"

End




Dispenser	Line 1		Line 2	
	X"	Y"	X"	Y"
3/G7203P/28JKW	-8.125	6.500	1.875	6.500
3/G7203P/2LKW	-8.125	6.500	1.875	6.500
3/G7208P/28JKW	-8.125	6.500	1.875	6.500
3/G7208P/2JKW	-8.125	6.500	1.875	6.500

Material: Virgin Fiberglass 1/4" Wall Standard

This Layout is for the Wayne Select 7200 - 2 Line Dispensers
"P" Series Side Outlet Below Grade UDC

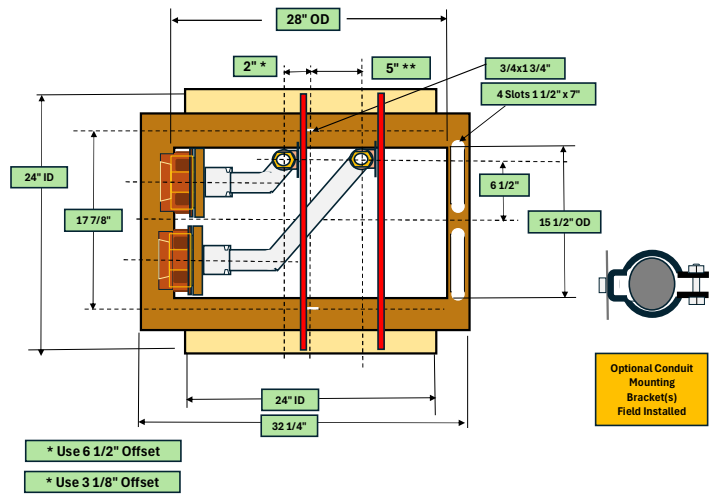
Diversified Products Manufacturing Inc
Wayne Select - Below Grade - Under Dispenser Containment

Revision:	New
By:	jwr
Date:	2.1.25

Graphics 

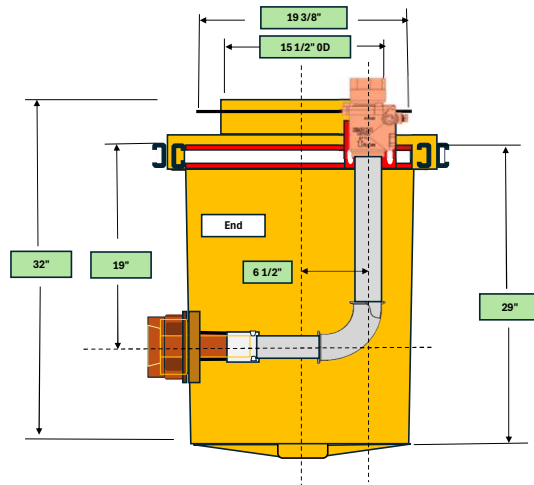
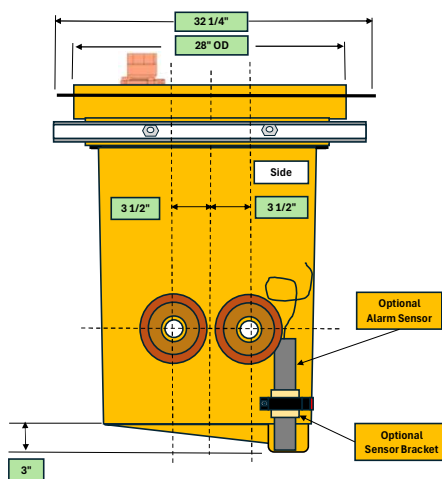
Parts List

Description	Qty	Product Number
Wayne Select 7200 Series Below Grade UDC	1	ESWS-BG EO 2L



Options

- 3/4" & 1" Conduit Mounting Brackets
- Stainless Shear Valve
- Alarm Sensor by DPM
- Sensor Bracket Installed by DPM
- Hard Pipe in Lieu of Flex Connector
- 6 1/2" Offset
- 3 1/8" Offset



2 Line Dispensers

Dispenser	Line 1		Line 2	
	X"	Y"	X"	Y"
3/G7203P/28JKW	-8.125	6.500	1.875	6.500
3/G7203P/2LKW	-8.125	6.500	1.875	6.500
3/G7208P/28JKW	-8.125	6.500	1.875	6.500
3/G7208P/2JKW	-8.125	6.500	1.875	6.500

Material: Virgin Fiberglass 1/4" Wall Standard

This Layout is for the Wayne Select 7200 - 2 Line Dispensers "P" Series End Outlet Below Grade UDC

Diversified Products Manufacturing Inc
 Wayne Select - Below Grade - Under Dispenser Containment

Revision: New
 By: jwr
 Date: 2.1.25

Graphics



TOC

Reference Data

Third Party Approval - ROUNDTABLE



Contact Us



October 30, 2020

Mr. Josh Dow
Diversified Products Manufacturing Inc
5523 Baggett Marysville Rd
Oroville, CA 95965

RE: NDE Reference No: NDE20201020
Third-Party Certification under UL 2447- Outline of Investigation for
Fittings Accessories for Fuels

Products Evaluated: Split Repair Fittings & Test Reducers for Containment Sumps for
Fuels PF-Penetration Fittings Series, Sump Entry Fittings and Test
Reducers
SR- Split Repair Sump Entry Fittings and Test Reducer Series
FG/PG Spilt Repair Series
CH- Series, All Chemicals used in the installation process
SU- Sumps and Accessories

Dear Mr. Dow,

In reference to the above listed products, our testing partner on this project (N.D. Eryou, PhD, PE) has performed our UL 2447 Third-Party inspection and testing. All products listed were determined to comply with the "Outline of Investigation for Fittings and Accessories for Fuels".

It is our opinion that both the design and materials used in the above products are based on sound engineering principles and the materials are compatible with all motor fuels and additives currently being used including fuels containing >10% ethanol or 20% biodiesel. Therefore, the Spill Containment Liner should have the same chemical resistance to the UL 2447 test fuels as the DPM "Products Evaluated" listed above.

Disclaimer: Underwriters Laboratories (UL) is an independent testing laboratory and use of, in any way, of the UL Listing or Registered Trade Mark UL is prohibited unless specifically authorized by Underwriters Laboratories.

Very truly yours,

Brian E Lewis

Brian E Lewis, PE



Roundtable Engineering Solutions, Inc
660 Southpointe CT, Unit 300G
Colorado Springs, CO 80906



Reference Data



Third Party Approval - N.D. ERYOU

Contact Us



Southwest Florida Office
5051 Castello Drive, Suite 244
Naples, FL 34103

Central Florida Office
1460 Breezy Way
Spring Hill, FL 34608
(352) 684-7275
Alex@eryouengineering.com

New Jersey Office
107 Lincoln Avenue
Florham Park, NJ 07932
(973) 919-6842
Robert@eryouengineering.com

NOTICE OF COMPLETION OF THIRD-PARTY UL 2447 EVALUATION

February 3, 2021

Mr. Josh Dow
Diversified Products Manufacturing Inc
5523 Baggett Marysville Rd
Oroville, CA 95965

RE: NDE Reference No: NDE20201020
Third-Party Certification under UL 2447- Outline of Investigation for
Fittings Accessories for Fuels

Products Evaluated: Split Repair Fittings & Test Reducers for Containment Sumps for Fuels
PF-Penetration Fittings Series, Sump Entry Fittings and Test Reducers
SR- Split Repair Sump Entry Fittings and Test Reducer Series
FG/PG Spilt Repair Series
CH- Series, All Chemicals used in the installation process.
SU - Sumps and Accessories

Dear Mr. Dow

In reference to the above listed products, we have performed our UL 2447 Third-Party inspection and testing. All products listed were determined to comply with the "Outline of Investigation for Fittings and Accessories for Fuels".

It is our opinion that both the design and materials used in the above products are based on sound engineering principles and the materials are compatible with all motor fuels and additives currently being used including fuels containing >10% ethanol or 20% biodiesel. Therefore, the Spill Containment Liner should have the same chemical resistance to the UL 2447 test fuels as the DPM "Products Evaluated" listed above.

Further to your recent request with regard to your Canadian distributors utilization of the above test results, we have compared the testing requirements of UL (US) 2447 with CAN/ULC-S664:2017 and found them to be virtually identical.

There were only two differences that we found between the two Codes.

1. ULC S664 Section 5.8.5 "Extreme Low Temperature Impact Test – requires testing at -40°F and our tests were conducted at a minimum temperature of -30°F.

2. ULC S664 Section Appendix B 1.1 Defines 21 specific grades of fuel while UL US defines four grades of fuel, which covers the wide range of fuels commonly used by gasoline and diesel-powered vehicles.

Furthermore, we have reviewed the UL (US) website which contains the following relevant statement confirming the sharing of UL specifications between UL – US and UL - Canada:

“UL STANDARDS: ACCREDITED IN THE US AND CANADA

In the US, UL is accredited by the American National Standards Institute (ANSI) as an audited designator. In 2013, UL was accredited by the Standards Council of Canada (SCC) as a nationally recognized Standards Development Organization (SDO) able to develop National Standards of Canada (NSCs).

UL's Standards Technical Panels (STPs) serve as the consensus body for both American National Standards (ANS) and National Standards of Canada (NSC). Essential information About UL's standards development programs, how to Access Standards, and how to participate in the UL programs used to Develop Standards is available on this site.”

It should not be inferred that our test of DPM products addresses the issue of long-term quality control issues as both UL (US) and UL Canada do with their annual subscription programs.

Disclaimer: Underwriters Laboratories (UL – US & UL - Canada) are independent testing laboratories and use of, in any way, of the UL Listing or Registered Trademark UL is prohibited unless specifically authorized by Underwriters Laboratories (US or Canada).

Very truly yours,



N.D. Eryou, Ph.D., P.E.
Eryou Engineering
dennis@eryouengineering.com



Reference Data



Chemical Wizard for Fiberglass Penetrations and Tank Sumps

	Quantity	Bonder-ml	Cleaner-cans	Epoxy-oz	Total oz	Total-cans	Total-ml	
		DFB	DBC II	DEB	DFB	DBC II	DEB	
Factory Mounting								
Penetrations								
PF-FGC (factory ES)	15		0.1	0	0	0.0	0	FGC Series Compact Penetrations
PF-FGT (factory ES)	23		0.1	0	0	0.0	0	FGT-Series Fiberglass Fittings w/ Adaptor
PF-BC (factory ES)	2		0.1	0	0	0.0	0	BC Series conduit Penetrations
Interstice Seals & SMK								
ES-IS-5.0 (Factory ES)	2		0.1	0	0	0.0	0	Interstice Seal for Penetrations
ES-IS-2.0 (Factory ES)	0.1		0.1	0	0	0.0	0	Interstice Seals for Bonded Conduits
SMK Mtg Bars (Factory ES)	0.1		0.05	0	0	0.0	0	Mounting Bars for SMK Kits
Field Mounted								
Penetrations								
PF-FGC-x.x-DB	17		0.1	0	0	0.0	0	Compact Direct Bury
PF-FGC-x.x-CD	35		0.1	0	0	0.0	0	Compact Corr Duct
PF-FGC-2.38-DB	17		0.1	0	0	0.0	0	Compact For FRP
PF-FGT-2.4	37		0.1	0	0	0.0	0	Threaded single Wall- 2"
PF-FGT-3.6	47		0.1	0	0	0.0	0	Threaded single Wall- 3"
PF-FGT-3x2	67		0.1	0	0	0.0	0	Threaded 3" over 2"
PF-FGT 2" LCX	55		0.1	0	0	0.0	0	Threaded 2" LCX
PF-FGT 4 x3	8		0.1	0	0	0.0	0	Threaded 4" over 4"
PF-FGT 3" LCX	7		0.1	0	0	0.0	0	Threaded 3" LCX
PF-BC-1.1 to sump	2		0.1	0	0	0.0	0	Bonded Conduit 3/4" to sump
PF-BC-1.1 to Pipe in field	15		0.1	0	0	0.0	0	Bonded Conduit 3/4" to pipe in field
PF-BC-1.4 to Sump	2		0.1	0	0	0.0	0	Bonded Conduit 1" to sump
PF-BC-1.4 to Pipe in field	15		0.1	0	0	0.0	0	Bonded Conduit 1" to pipe in Filed
PF-FGT-x.xFPTx2G	17		0.1	0	0	0.0	0	AG UDC Penetration
2" Bonded x Sanitary Adaptor	8		0.1	0	0	0.0	0	Bonding 2" Sanitary Adaptor
3" Bonded x Sanitary Adaptor	16		0.1	0	0	0.0	0	Bonding 3" Sanitary Adaptor
Tank Sumps								
SU-TKSF-42 (Collar)	0		0.3	4.3	0	0.0	0	Epoxy Bonder for 42" Collar Mount
SU-TKSF-48 (Collar)	0		0.3	4.9	0	0.0	0	Epoxy Bonder for 48" Collar Mount
SU-TKSF-BM (Bung)	0		0.3	0.9	0	0.0	0	Epoxy Bonder for Bung Mount
SU-TKSF Base to riser	0		0.3	3.3	0	0.0	0	Epoxy Bonder for base to riser
TKSF-Rope								
SU-TSFA-42 (Collar)	0		0.3	4.3	0	0.0	0	Epoxy Bonder for 42" Collar Mount
SU-TSFA-48 (Collar)	0		0.3	4.9	0	0.0	0	Epoxy Bonder for 48" Collar Mount
SU-TSFA-MB (Bung)	0		0.3	0.9	0	0.0	0	Epoxy Bonder for Bung Mount
SU-TKSF Base to riser	0		0.3	3.3	0	0.0	0	Epoxy Bonder for base to riser
TSFA-Rope								
SU-TKSF-Ext	0		0.3	0.3	0	0.0	0	Epoxy Bonder For Extensions
SU-TSFA-Ext	0		0.3	0.3	0	0.0	0	Epoxy Bonder for Extensions
Interstice Seals								
ES-IS-2.0	3		0.05	0	0	0.0	0	Interstice Seal for Bonded Conduit Fittings
ES-IS-5.0	5		0.05	0	0	0.0	0	Interstice Seal for FGT 4.5" OD Penetrations
ES-IS-5.5	7		0.05	0	0	0.0	0	Interstice seal for FGC 5.0" OD Fittings
ES-IS-8.0 Estimated	15		0.1	0	0	0.0	0	Interstice Seal for Large FGC 7 1/2" OD fittings
Other								
SU-SMK-x.x	1		0.05	0	0	0.0	0	Mounting Bar for SMK

	DFB	DBC II	DEB
DFB-50 ml cartridges Field	0.0	0.0	0.0
Cases of 15 cartridges	0.0	0.0	0.0
DFB Factory Engr systems	0	0	0
Totals	0	0.0	0.0
DBC II Cans of Cl	0.0	0	0
Cases of 12 cans	0	0	0
DBC II for Eng Sy	0.0	0	0
DEB Bulk 32 C	0	0	0
DEB Bulk 5#	0	0	0
DEB Bulk 15#	0	0	0



TOC

Contact Us

“Dare to Compare”

UDC's for Wayne Select Dispensers



Diversified Products has been producing quality products since 1991. The Wayne Select Dispensers are used for commercial fleet fueling. The following comparisons represent features available in published literature by the three companies at the end of January 2025. In time all products change. Diversified's staff believes this information to be accurate and beneficial to our customer base at this time.

Features	Diversified Outside	Morrison Inside	S Bravo Outside
Above Grade Units			
Surface Mounted UDC to Wayne Select Dimensions	32 1/4"x19 3/8"	n/a	36"x20"
Pedestal Mounted UDC to Wayne Select Dimensions	32 1/4"x19 3/8"	28x15	36"x20"
Flush Mounted UDC to Wayne Select Dimensions	32 1/4"x19 3/8"	n/a	36"x20"
Sensor Mounting Brackets	yes	no	no
Pre-Fabricated	yes	no	no
1 1/2" & 2" Female Pipe Thread on Penetrations	yes	n/a	no
Sensor installed by Manufacturer Option	yes	n/a	no
Below Grade Units			
Below Grade UDC to Wayne Select Dimensions	32 1/4"x19 3/8"	n/a	37"x28"
Double Wall Option	yes	n/a	yes
Stainless Steel Frame & Stabilizer Bar Options	yes	n/a	?
Sensor Mounting Brackets	yes	n/a	no
Pre-Fabricated	yes	n/a	?
Sensor Installed by Manufacturer Option	yes	n/a	no



TOC



Contact Us

Warranty

Limited Warranty: Diversified Products Manufacturing Inc. (DPMI) warrants that the products sold under this agreement are free from defects in design, material or workmanship for a period of (3) years on all non chemical products from the date of shipment. **DPMI MAKES NO OTHER WARRANTY WHATSOEVER, EXPRESSOR OR IMPLIED, WITH RESPECT TO THE GOODS OR WITH RESPECT TO THE MERCHANTABILITY OF THE GOODS OR THE FITNESS OF THE GOODS FOR ANY PURPOSE.** DPMI's sole obligation with respect to any defect in any of the products will be, at DPMI's option, to repair or replace the item or to refund, in the form of a credit on account, the purchase price for that item. Where practical, parts must be returned to DPMI for evaluation. DPMI will not be liable for costs of labor or other costs with the replacement of the defective item. DPMI will not be responsible for any damage to the environment or any other damage associated with the use of the product. To the maximum extent permitted by law, Buyer waives any claim against DPMI by reason of any such defect or any breach of DPMI's warranty herewith; and, without limiting the foregoing, any claim for indirect, incidental or consequential damages. Customer confirms that it has relied, is relying and will rely only on DPMI's warranty and understanding above, and that Buyer has not relied, is not relying and will not rely on any other statements, promise, affirmation, sample or model, any of which are superseded by this agreement. This warranty is conditional of Buyer promptly notifying DPMI of any alleged defect. Any product purchased by DPMI for use on or in conjunction with the Products which are manufactured by DPMI, DPMI extends to Buyer only the warranty that the product of vendor granted to DPMI.

Terms & Conditions of Sale

Payment: DPMI offers a 3% 10 day discount (less freight) from the date of invoice not the date of receipt of goods. Where a prompt payment discount is offered, funds must be received by DPMI by the 10th day following the date of invoice. Should diversified not receive payment in a timely fashion credit terms will be revoked. For payments received beyond 10 days where a discount is taken, Diversified will invoice for the discount taken. These invoices are due upon receipt. Typically all international orders are pre-pay before shipping. If any questions arise concerning accounts receivable Buyer shall contact the Credit Department for assistance. In the event of disputes Buyer shall pay the undisputed portion of the invoice within the above time.

Methods of Payment: Preferred methods of payment are by check by Phone, ACH or EFT. Credit cards while acceptable are not preferred as there is a 4% processing fee charged to the invoice. If Buyer chooses to wire funds, buyer is responsible for all bank charges both at Buyers end and DPMI's end. DPMI will invoice Buyer for all shortages on wire transfers. Such shortages must be made up within 30 days or with the next order.

Delivery: Sales are F.O.B. DPMI's factory. This means that the title to goods passes to the customer when the carrier leaves DPMI's facility. If shipping damage or loss should occur, buyer is responsible for filing the freight claim with the carrier. Buyer is responsible for noting any damage on the carrier's bill of lading. DPMI will assist in the filing of freight claims if requested to do so by the buyer. Buyer shall report any concealed damage or shortages in the Product to DPMI within (5) working days from the date of delivery.

Should a loss of product occur, after it has been shipped, Buyer is liable for payment of the original invoice as well as for invoices created for products shipped to replace lost or damaged goods. While Diversified may provide assistance to Buyer in filing a claim, financial recover of the loss is between the freight carrier and the Buyer.



TOC



Contact Us

**Diversified Products Manufacturing Inc.
Diversified Distribution Centers of California
5523 Baggett Marysville RD
Oroville CA 95965**

**Phone: 530-534-3966
E-Mail: Sales@DPM-LLC.com
Web: www.dpm-co.com**

**Operations Manager: Josh Dow E-Mail: JoshD@DPM-LLC.com
Engineering: John Rowe Cell: 530-599-1422, E-mail: JohnR@DPM-LLC.com
Accounting: Melissa Gorman E-mail: MelissaG@DPM-LLC.com**