

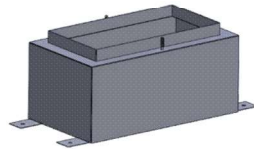
Bennett

3000 & 100 Series

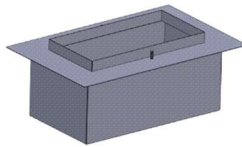


Under Dispenser Containment

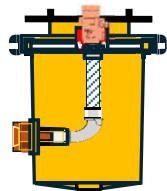
Surface Mounted



Flush Mounted



Below Grade



For all your under dispenser containment needs.

Stainless
Powder Coated
Fiberglass

End Outlet
Side Outlet

Sensor Mtg Brackets
Alarm Sensors

Plain Sumps
Factory Fabricated Complete

Fiberglass Penetrations





TOC

Bennett 3000 Under Dispenser Containment Catalog Table of Contents



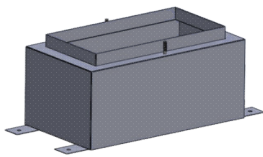
Contact Us

Product Introduction	Page 3
Guide to Bennett 3000 Under Dispenser Containment	Page 4
Price List	
Single Line, Two lines or Three Line UDC's for Bennett 3K Dispensers	
Flush Mounted Stainless & Powder Coated Carbon Steel Side & End Outlet	Page 5
Surface Mounted Stainless & Powder Coated Carbon Steel Side & End Outlet	Page 6
Below Grade Fiberglass UDC's for Bennett 3000 & 100 Dispensers	Page 7
Stand Alone Components	Page 8
Accessories	Page 9
Data Sheets	
Surface Mounted UDC's	Page 10 & 11
Flush Mounted UDC's	Page 12 & 13
Below Grade UDC's	Page 14 & 15
Engineered Drawings	
1 Line UDC's	
Flush Mounted Side Outlet	Page 16
Flush Mounted End Outlet	Page 17
Surface Mounted Side Outlet	Page 18
Surface Mounted End Outlet	Page 19
Below Grade Fiberglass Sump	Page 20
2 Line UDC's	
Flush Mounted Side Outlet	Page 21
Flush Mounted End Outlet	Page 22
Surface Mounted Side Outlet	Page 23
Surface Mounted End Outlet	Page 24
Below Grade Fiberglass Sump	Page 25
3 Line UDC's	
Flush Mounted Side Outlet	N/A
Flush Mounted End Outlet	N/A
Surface Mounted Side Outlet	Page 26
Surface Mounted End Outlet	Page 27
Below Grade Fiberglass Sump	Page 28
1 Line DEF UDC	
Below Grade Fiberglass Sump	Page 29
Reference Data	
Third party Approvals	
Roundtable	Page 30
ND Eryou	Page 31 & 32
Dare to Compare	Page 33
Terms & Warranty	Page 34
Contact Factory	Page 35

Bennett dispensers are available with multiple piping options. Diversified has developed Under Dispenser Containment for all of the offered configurations in Surface Mounted Above Grade UDC's, Flush Mounted UDC's and Below Grade UDC's. In addition to these basic configurations, DPM offers completely pre-manufactured units for both side outlet and end outlet applications. DPM's new pricing policies supports all customers from those that just want the sump to a host of options, all in a buffet style, allowing any configuration that the customer may need. Engineered drawings are available for all configurations. All Sumps are hydrostatically tested and all piping is pressure tested to 75 PSIG prior to leaving the factory.

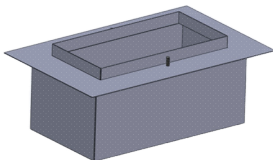
Surface Mounted

These UDC's are designed to match the outside profile of the Bennett 3000 dispensers. A unique 2" tall rain lip keeps water from entering the UDC. These dispensers are manufactured out of 12 Gauge 304 stainless or powder coated steel. Rails and stabilizer bars may be ordered in either stainless or powder coated options. Shear valve selection is available in double poppet units with powder coating or stainless options. All UDC's are available with a welded stud for a sensor mounting bracket for Veeder Root "208" sensors. Brackets are available for other sensor diameters. Units can be provided with the alarm sensor installed or the sensor may be provided and installed by the customer. These UDC's come with 4" by 3" feet for mounting to the surface. 5/8" diameter holes are included in the feet for customer provided anchoring systems. Fiberglass Penetration fittings are available in 1 1/2" FPT or 2" FPT for direct piping to the fitting. Internal piping to the shear valve is all stainless. Standard units come with optional 3/4" (alarm) and 1" (power) rigid conduit couplings welded into the side of the UDC at locations specified by the customer.



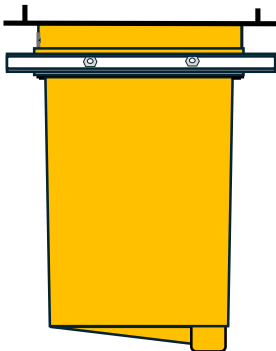
Flush Mounted

Flush mounted UDC's are available with all the options offered for surface mounted UDC's except there are no mounting feet. Flush mounted units are provided with a 3" wide flange. Flush mounted UDC's are usually installed in docks where the flange supports the UDC. The UDC may be welded to other support members in the field.



Below Grade

Below grade UDC's are manufactured using virgin fiberglass and isophthalic resins. Frames are made from the same fiberglass materials or are available in 16 gauge 304 stainless steel. Frames are slotted on one end to allow electrical components to be installed through the frame of the dispenser. Stabilizer bars and shear valves are available in powder coated or stainless options. Shear valves are double poppet. These under dispenser sumps have a sloping floor and alarm cup at one end of the sump. Rails are extended on each end of the sump for welding to structural steel or for direct burial in concrete. An alarm sensor bracket is available with a slip in feature for the sensor. Sumps are available with the sensor installed or may be provided and installed by the customer.





TOC

"Better by Design"



Contact Us

Under Dispenser Containment Options

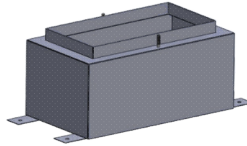
Dispenser Selection

Bennett 3000 SERIES



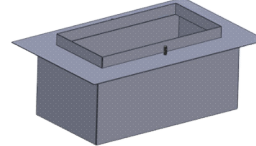
Bennett 3000

Surface Mount

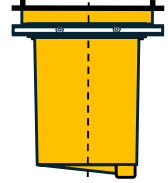


Sump Type

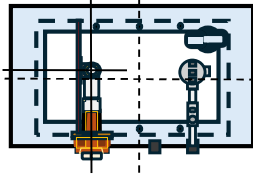
Flush Mount



Below Grade



Bennett 3000 1 Product Li



Price List
Data Sheet
Engr Dwgs Side Outlet
Engr Dwgs End Outlet

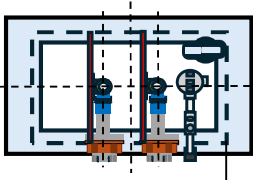


Price List
Data Sheet
Engr Dwgs Side Outlet
Engr Dwgs End Outlet



Price List
Data Sheet
Engr Dwgs

Bennett 3000 2 Product Lines



Price List
Data Sheet
Engr Dwgs Side Outlet
Engr Dwgs End Outlet

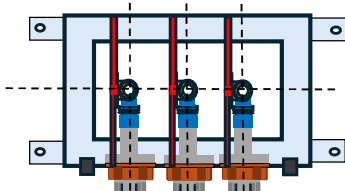


Price List
Data Sheet
Engr Dwgs Side Outlet
Engr Dwgs End Outlet



Price List
Data Sheet
Engr Dwgs

Bennett 3000 3 Product Lines



Price List
Data Sheet
Engr Dwgs Side Outlet
Engr Dwgs End Outlet

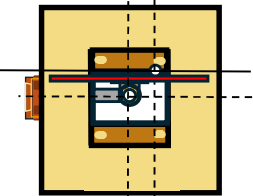


N/A
N/A
N/A
N/A



Price List
Data Sheet
Engr Dwgs

Bennett 100



Contact Factory

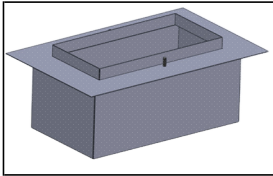


Contact Factory



Price List
Data Sheet
Engr Dwgs

Flush Mounted



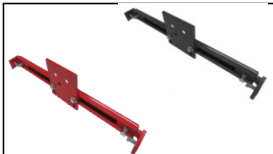
Part #	Description	List Price
ESB-FM-SS	Flush Mounted Stainless No fittings or openings no rails for Stabilizer Bar	
ESA-FM-PC	Flush Mounted Powder Coated No fittings or openings no rails for Stabilizer Bar	

Welded Couplings for Power or Alarm Wiring



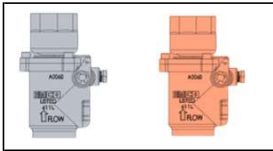
Part #	Description	List Price
SU-H72	3/4" Welded Stainless Coupling (installed)	
SU-H73	1" Welded Stainless Coupling (Installed)	
SU-H125	3/4" Welded Black Coupling- Powder Coated (installed)	
SU-H126	1" Welded Black Coupling Powder Coated (Installed)	

Stabilizer Bar Rails and Stabilizer Bar installed



Part #	Description	List Price
SU-SBA-17.5-SS	Stainless Unistrut Rails with Stainless Stabilizer Bar for standard Shear Valves (Installed)	
SU-SBA-17.5-PC	Galvanized Unistrut Rails with Stainless Stabilizer Bar for standard Shear Valves all Powder Coated (installed)	

Shear Valve Options Installed



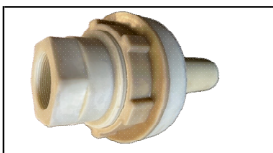
Part #	Description	List Price
SU-H70	Double Poppet Shear Valve 1 1/2" Stainless (Installed)	
SU-H68	Double Poppet Shear Valve 1 1/2" Powder Coated (Installed)	

Piping Installed



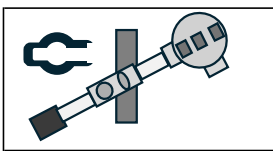
Part #	Description	List Price
SU-Piping-B3K-SS-SO	Piping for Bennett 3K Stainless Side Outlet (Installed)	
SU-Piping-B3K-SS-EO	Piping for Bennett 3K Stainless End Outlet (Installed)	
SU-Piping-B3K-PC-SO	Piping for Bennett 3K Powder Coated Side Outlet (Installed)	
SU-Piping-B3K-PC-EO	Piping for Bennett 3K Powder Coated End Outlet (Installed)	

Fiberglass Penetration Fittings



Part #	Description	List Price
PF-FGT-1.5FPTx2G	1 1/2" FPT Fiberglass Penetration Fitting with sanitary fitting to match piping. (Installed)	
PF-FGT-2FPTx2G	2" FPT Fiberglass Penetration Fitting with sanitary fitting to match piping. (installed)	

Electrical Alarm Sensor Options



Part #	Description	List Price
ES-EL-Kit	Electrical piping with Seal off, Unilet and sensor mounting Bracket (Installed) Sensor not included	
ES-EL-208 Kit	Electrical piping with Seal off, Unilet and sensor mounting Bracket with VR 208 Sensor (Installed)	

To calculate Total List Price put a "1" only in the box for the options required.

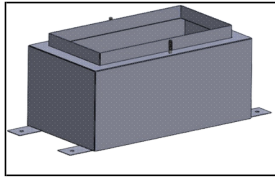


"Better by Design"

**UDC's for Bennett 3000 Dispensers
Surface Mounted-Side Outlet or End Outlet**



Surface Mounted



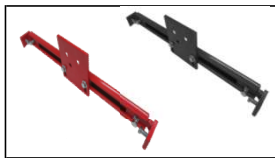
Part #	Description	List Price
ESB-SM-SS	Surface Mounted Stainless No fittings or openings no rails for Stabilizer Bar	
ESB-SM-PC	Surface Mounted Powder Coated No fittings or openings no rails for Stabilizer Bar	

Welded Couplings for Power or Alarm Wiring



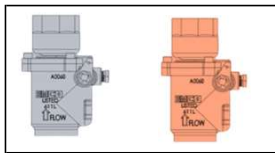
Part #	Description	List Price
SU-H72	3/4" Welded Stainless Coupling (installed)	
SU-H73	1" Welded Stainless Coupling (Installed)	
SU-H125	3/4" Welded Black Coupling- Powder Coated (installed)	
SU-H126	1" Welded Black Coupling Powder Coated (Installed)	

Stabilizer Bar Rails and Stabilizer Bar installed



Part #	Description	List Price
SU-SBA-17.5-SS	Stainless Unistrut Rails with Stainless Stabilizer Bar for standard Shear Valves (Installed)	
SU-SBA-17.5-PC	Galvanized Unistrut Rails with Stainless Stabilizer Bar for standard Shear Valves all Powder Coated (installed)	

Shear Valve Options Installed



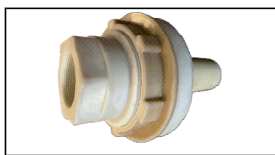
Part #	Description	List Price
SU-H70	Double Poppet Shear Valve 1 1/2" Stainless (Installed)	
SU-H68	Double Poppet Shear Valve 1 1/2" Powder Coated (Installed)	

Piping Installed



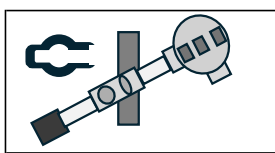
Part #	Description	List Price
SU-Piping-B3K-SS-SO	Piping for Bennett 3K Stainless Side Outlet (Installed)	
SU-Piping-B3K-SS-EO	Piping for Bennett 3K Stainless End Outlet (Installed)	
SU-Piping-B3K-PC-SO	Piping for Bennett 3K Powder Coated Side Outlet (Installed)	
SU-Piping-B3K-PC-EO	Piping for Bennett 3K Powder Coated End Outlet (Installed)	

Fiberglass Penetration Fittings



Part #	Description	List Price
PF-FGT-1.5FPTx2G	1 1/2" FPT Fiberglass Penetration Fitting with sanitary fitting to match piping. (Installed)	
PF-FGT-2FPTx2G	2" FPT Fiberglass Penetration Fitting with sanitary fitting to match piping. (installed)	

Electrical Alarm Sensor Options



Part #	Description	List Price
ES-EL-Kit	Electrical piping with Seal off, Unilet and sensor mounting Bracket (Installed) Sensor not included	
ES-EL-208 Kit	Electrical piping with Seal off, Unilet and sensor mounting Bracket with VR 208 Sensor (Installed)	

To calculate Total List Price put a "1" only in the box for the options required.



"Better by Design"

UDC's for Bennett 3K Dispensers
Below Grade Fiberglass UDC

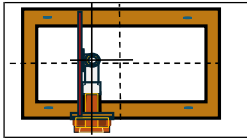


TOC

Use this price sheet for Bennett 100 DEF dispensers with Stainless options

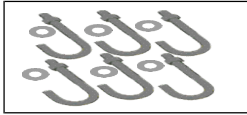
Contact Us

Sump



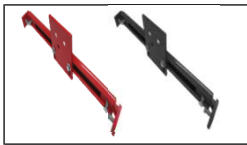
Part #	Description	List Price
ESB-BG	Below Grade Fiberglass Sump 32"Long 20"Wide 32"Deep with Frame, Rails for Stabilizer Bar, drain to Alarm Cup	
ESB-BG-SS	Below Grade Fiberglass Sump 32"Long 20"Wide 32"Deep with SS Frame & SS Rails for Stabilizer Bar, drain to Alarm Cup	

J Bolt Kit



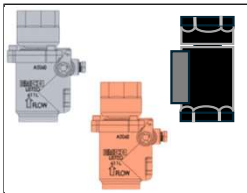
Part #	Description	List Price
SU-J Bolt-6	J Bolt Kit - 6 each 1/2" x 6" J Bolts Stainless	
J Bolt Kits are shipped loose		

Stabilizer Bar Rails and Stabilizer Bar installed



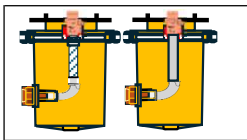
Part #	Description	List Price
SU-SBA-17.5-SS	Stainless Unistrut Rails with Stainless Stabilizer Bar for standard Shear Valves (Installed)	
SU-SBA-17.5-PC	Galvanized Unistrut Rails with Stainless Stabilizer Bar for standard Shear Valves all Powder Coated (installed)	

Shear Valve Options Installed



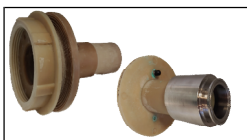
Part #	Description	List Price
SU-H70	Double Poppet Shear Valve 1 1/2" Stainless (Installed)	
SU-H68	Double Poppet Shear Valve 1 1/2" Powder Coated (Installed)	
SU-DEF-SV	Single Poppet DEF Shear Valve 1 1/2" x 1" (Installed)	

Piping Installed



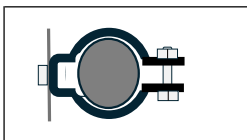
Part #	Description	List Price
SU-Piping-B3K-SS-BGF	Piping, SS for below grade sump with Flex Connector	
SU-Piping-B3K-SS-BGH	Piping, SS for below grade sump Hard Piped	
Note: All Piping components are stainless steel for either hard piped applications or for applications using a flex connector.		

Fiberglass Penetration Fittings



Part #	Description	List Price
PF-FGT-3x2G	3" over 2" FPT Fiberglass Penetration Fitting with Air Test and drain, sanitary fitting to match piping. (Installed)	

Conduit Mounting Brackets



Part #	Description	List Price
SU-CMB-1.1	Conduit Mounting Bracket for 3/4" Rigid Conduits Shipped Loose	
SU-CMB-1.4	Conduit Mounting Bracket for 1" Rigid Conduits Shipped Loose	

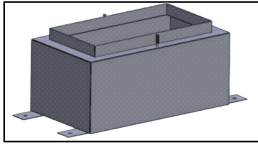
Electrical Alarm Sensor Options



Part #	Description	List Price
SU-SMK-2.5x1.9	Pipe Clamp Assembly for VR 208 Sensor (Installed)	
SU-H55	Veeder root 208 Sensor (installed)	

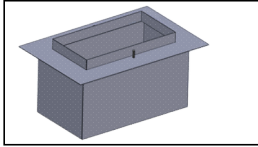
To calculate Total List Price put quantity desired in the box for the options requested.

Sump for Surface Mounting



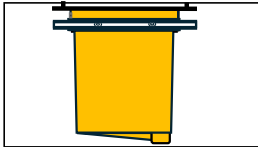
Part #	Description	List Price
ESB-3000 SM	Below Grade Fiberglass Sump 32"Long 20"Wide 32"Deep with Frame, Rails for Stabilizer Bar, drain to Alarm Cup	
ESB-3000 SM-SS	Below Grade Fiberglass Sump 32"Long 20"Wide 32"Deep with SS Frame & SS Rails for Stabilizer Bar, drain to Alarm Cup	

Sump for Flush Mounting



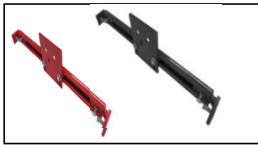
Part #	Description	List Price
ESB-3000 FM	Below Grade Fiberglass Sump 32"Long 20"Wide 32"Deep with Frame, Rails for Stabilizer Bar, drain to Alarm Cup	
ESB-3000 FM-SS	Below Grade Fiberglass Sump 32"Long 20"Wide 32"Deep with SS Frame & SS Rails for Stabilizer Bar, drain to Alarm Cup	

Sump for Below Grade Mounting Also used for the DEF Series 100 Dispensers



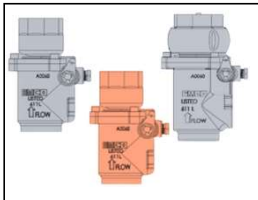
Part #	Description	List Price
ESB-3000 BG	Below Grade Fiberglass Sump 32"Long 20"Wide 32"Deep with Frame, Rails for Stabilizer Bar, drain to Alarm Cup	
ESB-3000 BG-SS	Below Grade Fiberglass Sump 32"Long 20"Wide 32"Deep with SS Frame & SS Rails for Stabilizer Bar, drain to Alarm Cup	

Stabilizer Bar Assemblies



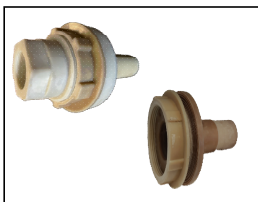
Part #	Description	List Price
SU-SBA-17.5-PCB	Galvanized Unistrut Rails with Stainless Stabilizer Bar for standard Shear Valves all Powder Coated (boxed)	
SU-SBA-17.5-SSB	Stainless Unistrut Rails with Stainless Stabilizer Bar for standard Shear Valves (boxed)	

Shear Valve Options



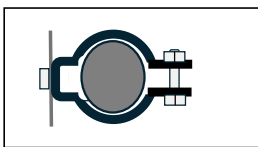
Part #	Description	List Price
SH-H68	Double Poppet Shear Valve 1 1/2" Powder Coated	
SU-H70	Double Poppet Shear Valve 1 1/2" Stainless	
SU-H71	Double Poppet Shear Valve 2" Stainless	

Fiberglass Penetration Fittings



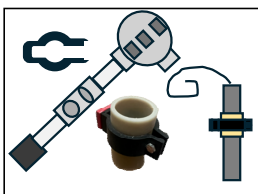
Part #	Description	List Price
PF-FGT-1.5FPTx2G	1 1/2" FPT Fiberglass Penetration Fitting with sanitary fitting to match piping. For Surface & Flush Mtd Sumps	
PF-FGT-2FPTx2G	2" FPT Fiberglass Penetration Fitting with sanitary fitting to match piping. For Surface & Flush Mtd Sumps	
PF-FGT-3x2G	3" over 2" FPT Fiberglass Penetration Fitting with Air Test and drain, sanitary fitting to match piping. For Below Grade Sumps	

Conduit Mounting Brackets



Part #	Description	List Price
SU-CMB-1.1	Conduit Mounting Bracket for 3/4" Rigid Conduits Shipped Loose	
SU-CMB-1.4	Conduit Mounting Bracket for 1" Rigid Conduits Shipped Loose	

Alarm Sensors & Mounting Brackets



Part #	Description	List Price
ES-EL-Kit	Electrical piping with Seal off, Unilet and sensor mounting Bracket for Surface & Flush Mtd Sumps.	
SU-SMK-2.5x1.9	Pipe Clamp Assembly for VR 208 Sensor for Below Grade Sumps	
ES-EL-208 Kit	Electrical piping with Seal off, Unilet and sensor mounting Bracket with VR 208 Sensor for Surface & Flush Mounted Sumps	

To calculate Total List Price put quantity desired in the box for the options requested.



TOC

Diversified Products Manufacturing



Contact Us

"Better By Design"

Bennett 3000 Surface Mounted Under Dispenser Containment

Technical Data Sheet

Since the introduction of EPA driven regulatory activities in 1988, contractors have been buying components to comply with these regulations. Multiple manufacturers offered products and contractors had to sort out all dimensional issues, compatibility between manufacturers and had to have complex estimating procedures. Diversified has now solved these and other problems with the introduction of our Engineered UDC Systems for the Bennett 3000 series of Dispensers.

All components are either UL Listed or third party approved for their respective applications.

The Bennett 3000 Surface Mounted UDC's feature 12 gauge stainless or powder coated steel. The UDC's are specifically designed for the Bennett 3000 series of Dispensers

These sumps are available in stand alone units for contractor fabrication or are available in a factory manufactured complete units.

All internal piping components may be removed and replaced using quick release sanitary fittings.

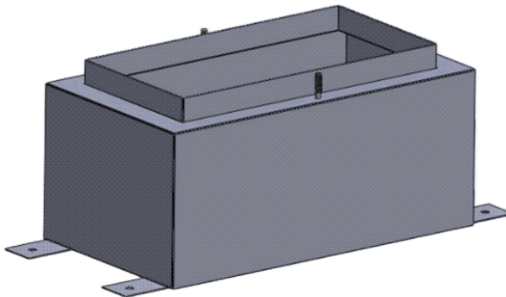
Available in side outlet or end outlet configurations.

Manufactured units are available with 1 1/2" powder coated or stainless shear valves or 2" stainless shear valves.

Manufactured sumps are available with stainless rails, stabilizer bar, piping and shear valve or in a powder coated option.

Factory piping is designed to mate to the dispenser piping eliminating the need for offsets.

Optional alarm sensor brackets are available installed in the UDC. The factory will install, as an option, the alarm sensor specified.

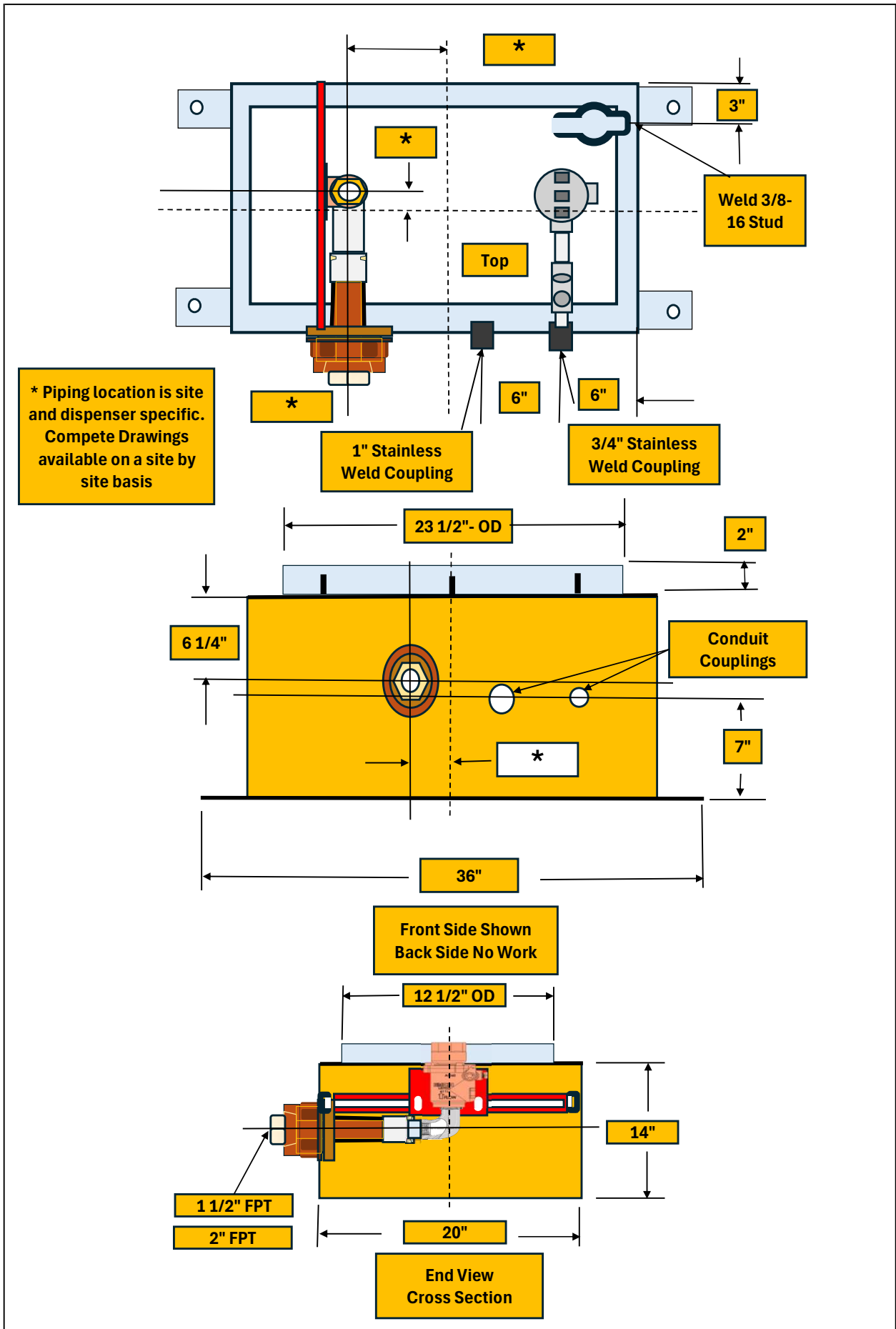


Third Party Approvals



Diversified Products Manufacturing
5523 Baggett Marysville Road Oroville CA 95965
530-534-3966 - www.dpm-co.com - Order Entry Email: sales@dpm-llc.com







TOC



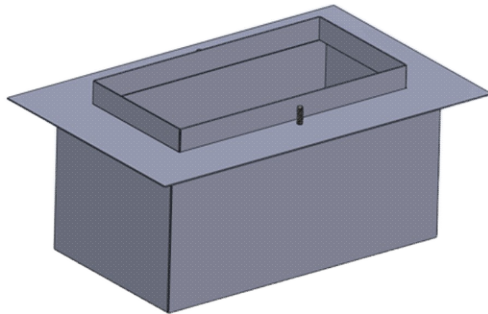
Contact Us

"Better By Design"

Bennett 3000 Flush Mounted Under Dispenser Containment

Technical Data Sheet

Since the introduction of EPA driven regulatory activities in 1988, contractors have been buying components to comply with these regulations. Multiple manufacturers offered products and contractors had to sort out all dimensional issues, compatibility between manufacturers and had to have complex estimating procedures. Diversified has now solved these and other problems with the introduction of our Engineered UDC Systems for the Bennett 3000 series of Dispensers.



All components are either UL Listed or third party approved for their respective applications.

The Bennett 3000 Flush Mounted UDC's feature 12 gauge stainless or powder coated steel. The UDC's are specifically designed for the Bennett 3000 series of Dispensers

These sumps are available in stand alone units for contractor fabrication or are available in a factory manufactured complete units.

All internal piping components may be removed and replaced using quick release sanitary fittings.

Available in side outlet or end outlet configurations.

Manufactured units are available with 1 1/2" powder coated or stainless shear valves or 2" stainless shear valves.

Manufactured sumps are available with stainless rails, stabilizer bar, piping and shear valve or in a powder coated option.

Factory piping is designed to mate to the dispenser piping eliminating, in many cases, the need for offsets.

Optional alarm sensor brackets are available installed in the UDC. The factory will install, as an option, the alarm sensor specified.

Third Party Approvals



EQ-742 EQ-801 EQ-836

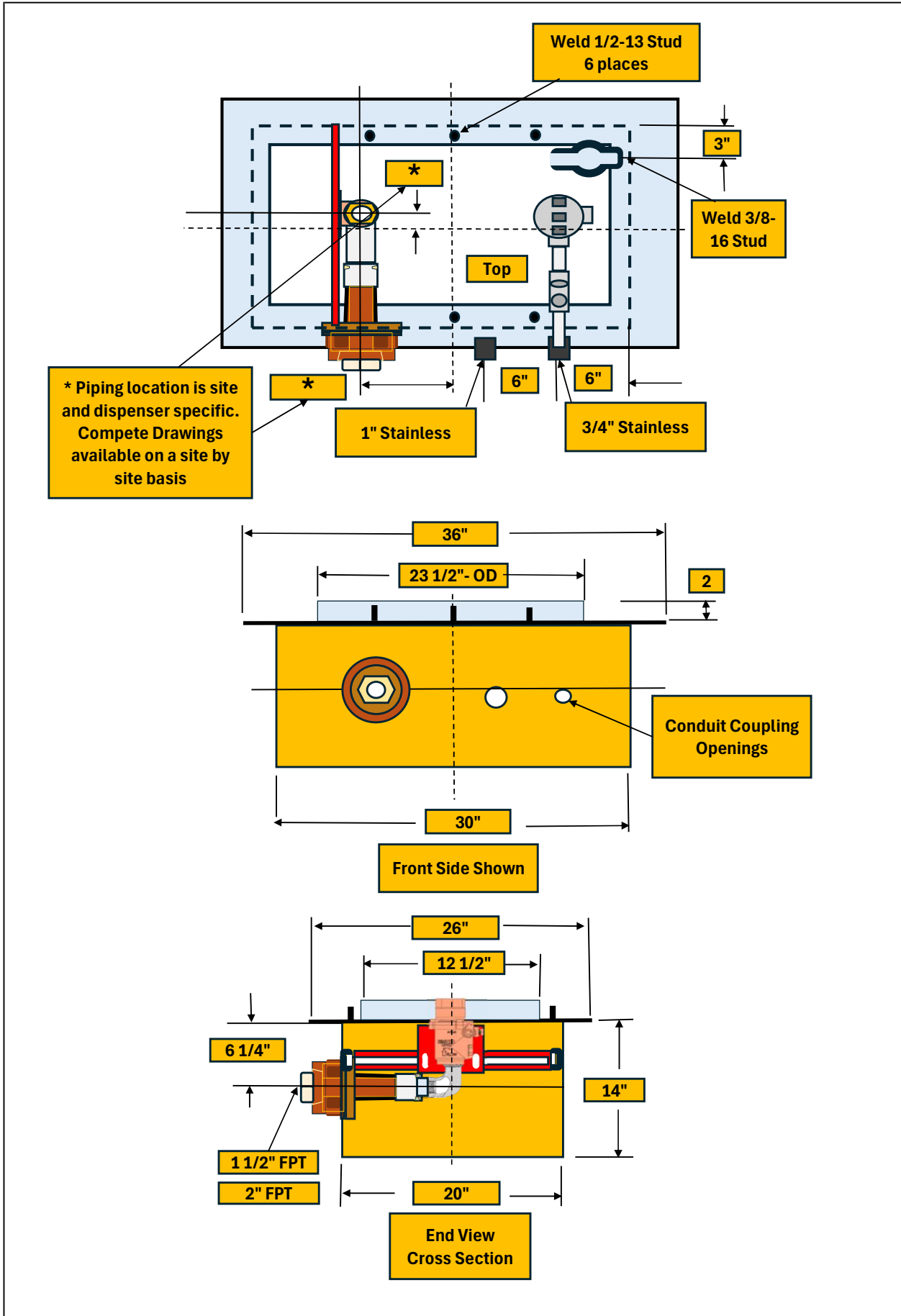


THIRD-PARTY UL 2447



Diversified Products Manufacturing
5523 Baggett Marysville Road Oroville CA 95965
530-534-3966 - www.dpm-co.com - Order Entry Email: sales@dpm-llc.com



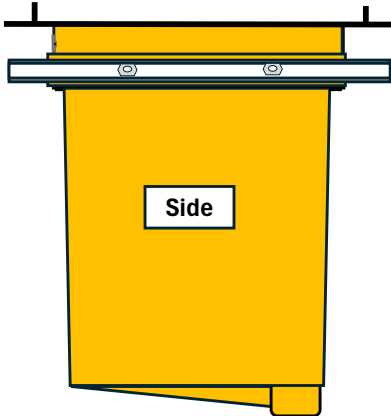




Bennett 3000 & 100 Below Grade Under Dispenser Containment

Technical Data Sheet

Since the introduction of EPA driven regulatory activities in 1988, contractors have been buying components to comply with these regulations. Multiple manufacturers offered products and contractors had to sort out all dimensional issues, compatibility between manufacturers and had to have complex estimating procedures. Diversified has now solved these and other problems with the introduction of our Engineered UDC Systems for the Bennett 3000 series of Dispensers. These sumps may be ordered Dri Sump compatible.



All components are either UL Listed or third party approved for their respective applications.

The Bennett 3000 below grade UDC's feature Fiberglass Sumps and Frames. The UDC's are specifically designed for the Bennett 3000 series of Dispensers

These sumps are available in stand alone for contractor fabrication or are available in a factory manufactured complete units.

All internal piping components may be removed and replaced using quick release sanitary fittings.

These sumps are available in single wall or double wall configurations.

Manufactured units are available with 1 1/2" powder coated or stainless shear valves or 2" Stainless shear valves.

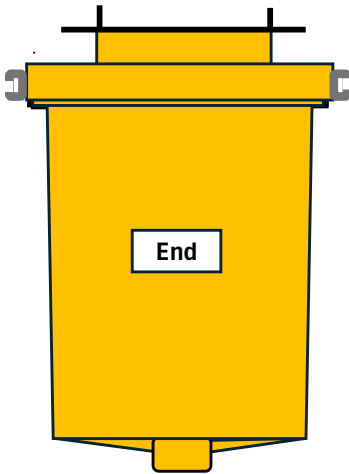
Manufactured sumps are available with stainless rails, stabilizer bar, piping and shear valve or in a powder coated option.

Manufactured systems are available in a hard piped or flex connector configurations.

Fiberglass UDC's feature sloping floors to a drain cup for early alarm of fluids and easy mounting kits for the sensor provided.

Factory piping is designed to mate to the dispenser piping eliminating, in many cases, the need for offsets.

Fiberglass or Flexible penetrations available with test and drain ports.

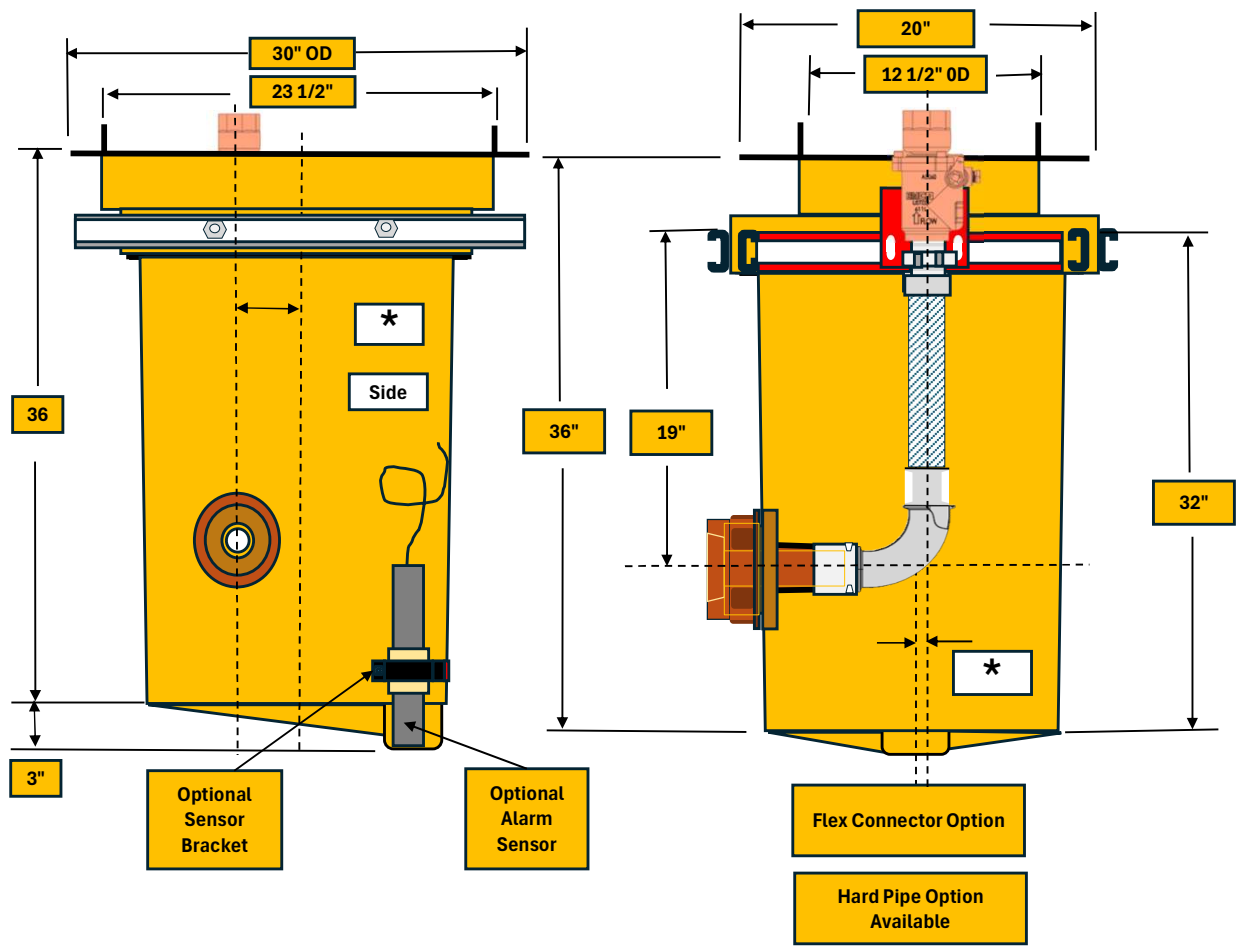
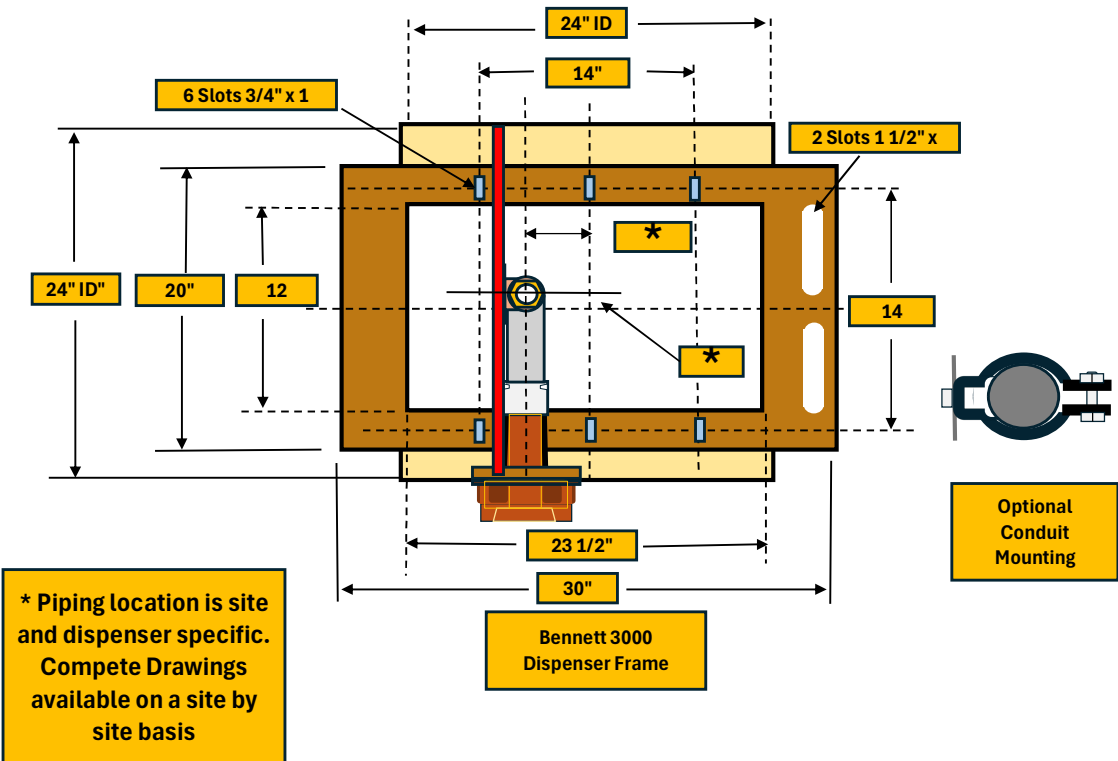


Third Party Approvals

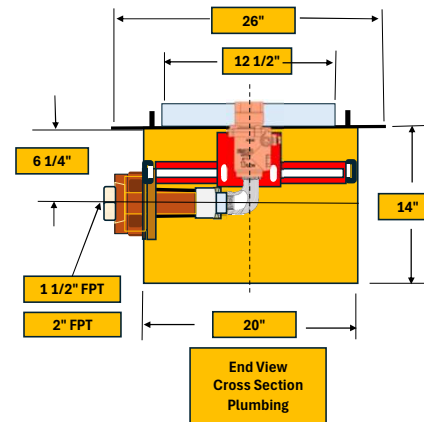
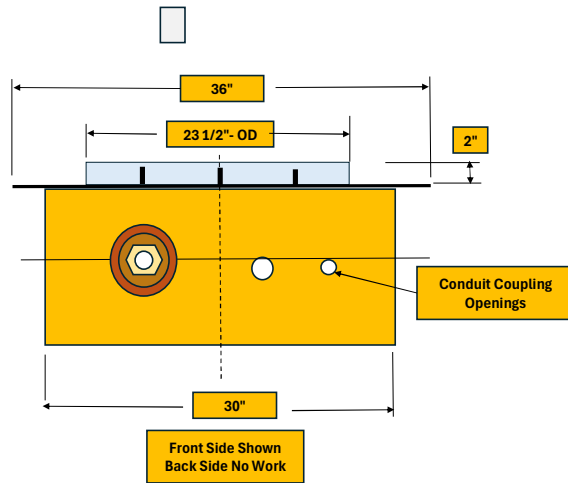
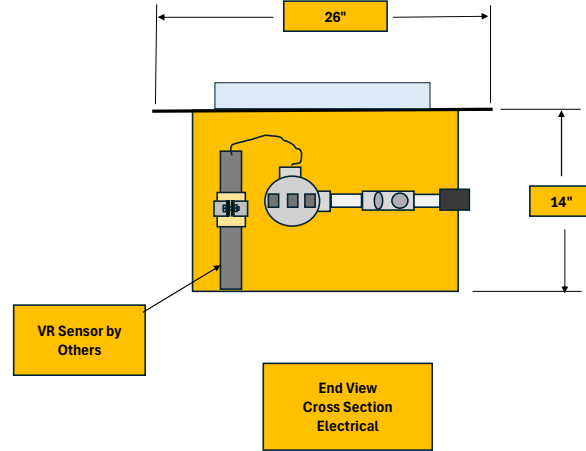
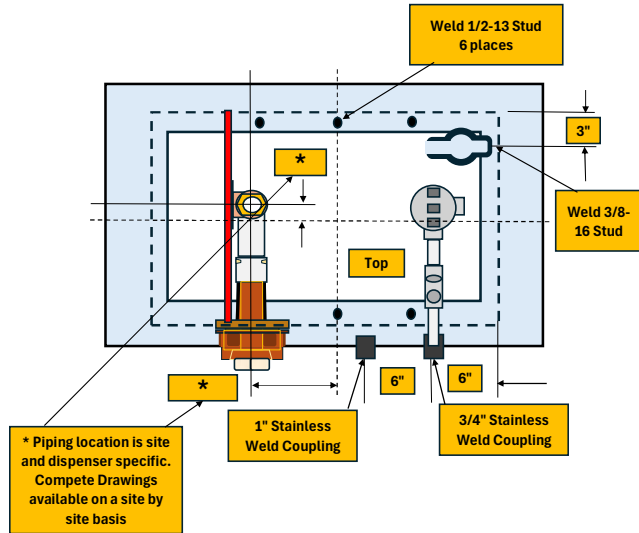


Diversified Products Manufacturing
5523 Baggett Marysville Road Oroville CA 95965
530-534-3966 - www.dpm-co.com - Order Entry Email: sales@dpm-llc.com





Description	Parts List	Qty	Product Number
Bennett 3000 Series		1	ESB-FM-SS



- Options
- Powder Coated Steel Sump
 - 2" Penetration Fitting
 - Stainless Shear Valve
 - Alarm Sensor by DPM

Note: Bennett offers multiple piping configurations for many of their dispensers. DPM provides generic engineering drawings for submittal purposes. All systems are modeled prior to fabrication to verify fit and performance. Most pre-fabricated UDC's will require offsets to complete the interface between Bennett dispensers and Diversified's UDC's. Where possible DPM Engineered UDC's will align dispensers so that only one length of pipe without elbows will connect the respective dispensers in Master/Satellite applications.

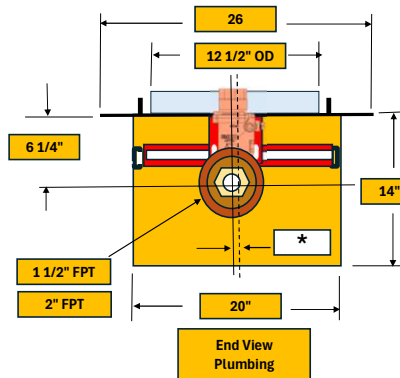
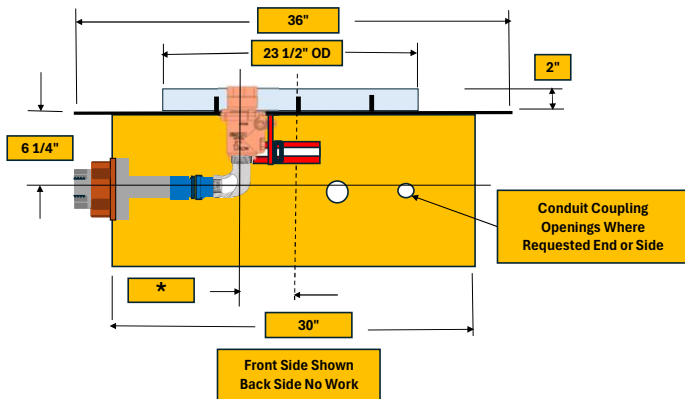
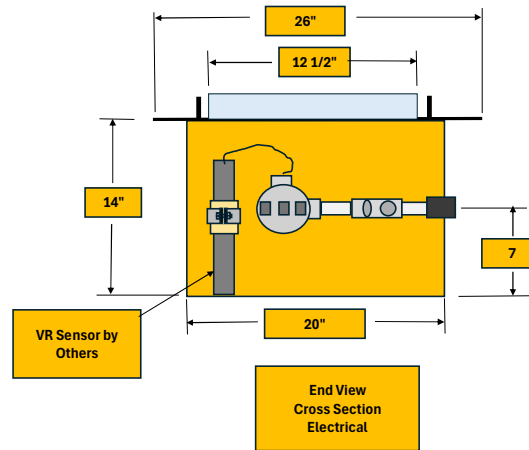
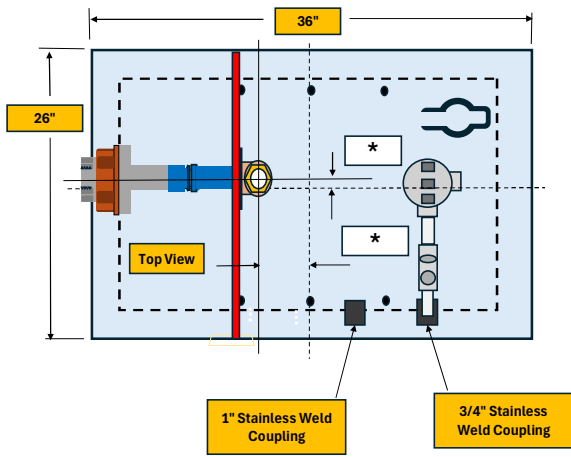
This Layout is for the Bennett 3000 Series Dispensers
Side Outlet Configuration

Submittal Drawings

Diversified Products Manufacturing Inc
Bennett 3000 - Flush Mounted - Under Dispenser Containment

Revision: New
By: jwr
Date: 9.1.2024

Graphics



Description	Parts List Qty	Product Number
Bennett 3000 Series	1	ESB-FM-SS

Options

- Powder Coated Steel Sump
- 2" Penetration Fitting
- Stainless Shear Valve
- Alarm Sensor by DPM

Note: Bennett offers multiple piping configurations for many of their dispensers. DPM provides generic engineering drawings for submittal purposes. All systems are modeled prior to fabrication to verify fit and performance. Most pre-fabricated UDC's will require offsets to complete the interface between Bennett dispensers and Diversified's UDC's. Where possible DPM Engineered UDC's will align dispensers so that only one length of pipe without elbows will connect the respective dispensers in Master/Satellite applications.

This Layout is for the Bennett 3000 Series Dispensers
End Outlet Configuration

Material: 12 Gauge 304 Stainless Steel

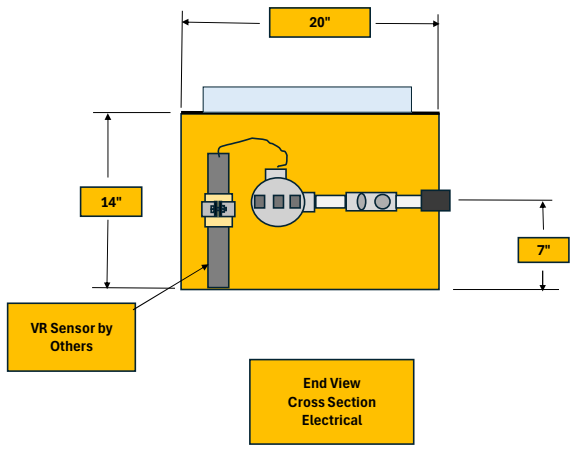
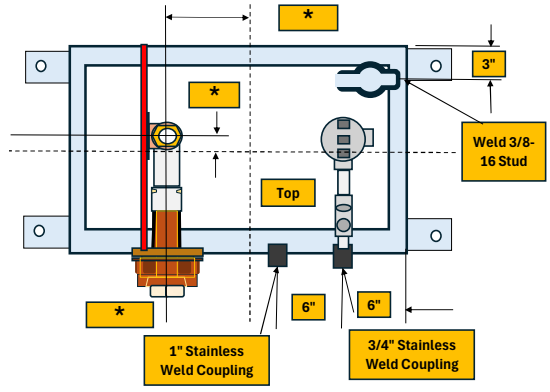
Submittal Drawings

Diversified Products Manufacturing Inc
 Bennett 3000 - Flush Mounted - Under Dispenser Containment
 Revision: New
 By: jwr
 Date: 9.1.2024

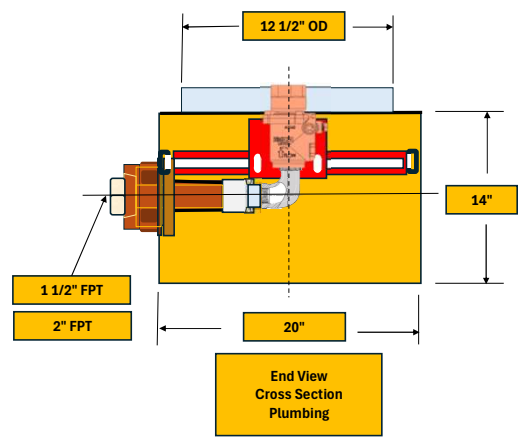
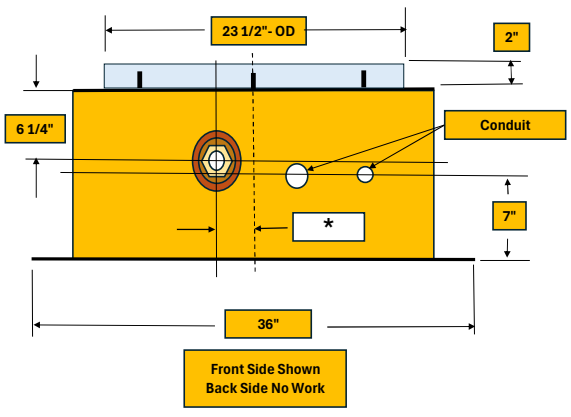
Graphics 

Description	Parts List	Qty	Product Number
Bennett 3000 Surface Mtd UDC		1	ESB SM SS

* Piping location is site and dispenser specific. Complete Drawings available on a site by site basis



- Options
- Powder Coated Steel Sump
 - 2" Penetration Fitting
 - Stainless Shear Valve
 - Alarm Sensor by DPM



Note: Bennett offers multiple piping configurations for many of their dispensers. DPM provides generic engineering drawings for submittal purposes. All systems are modeled prior to fabrication to verify fit and performance. Most pre-fabricated UDC's will require offsets to complete the interface between Bennett dispensers and Diversified's UDC's. Where possible DPM Engineered UDC's will align dispensers so that only one length of pipe without elbows will connect the respective dispensers in Master/Satellite applications.


Material: 12 Gauge 304 Stainless Steel

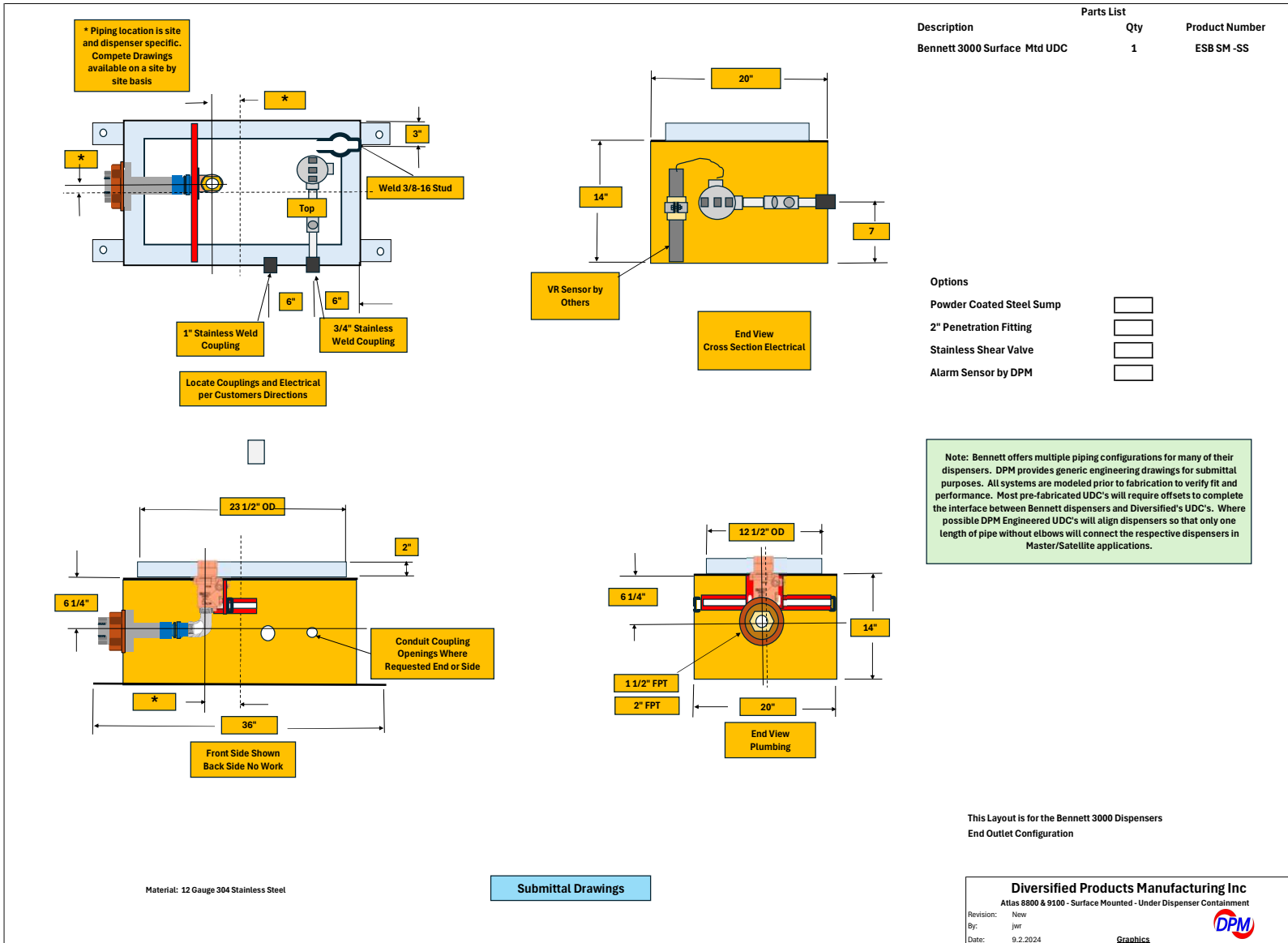
Submittal Drawings

This Layout is for the Bennett 3000 Series Dispenser Side Outlet Configuration

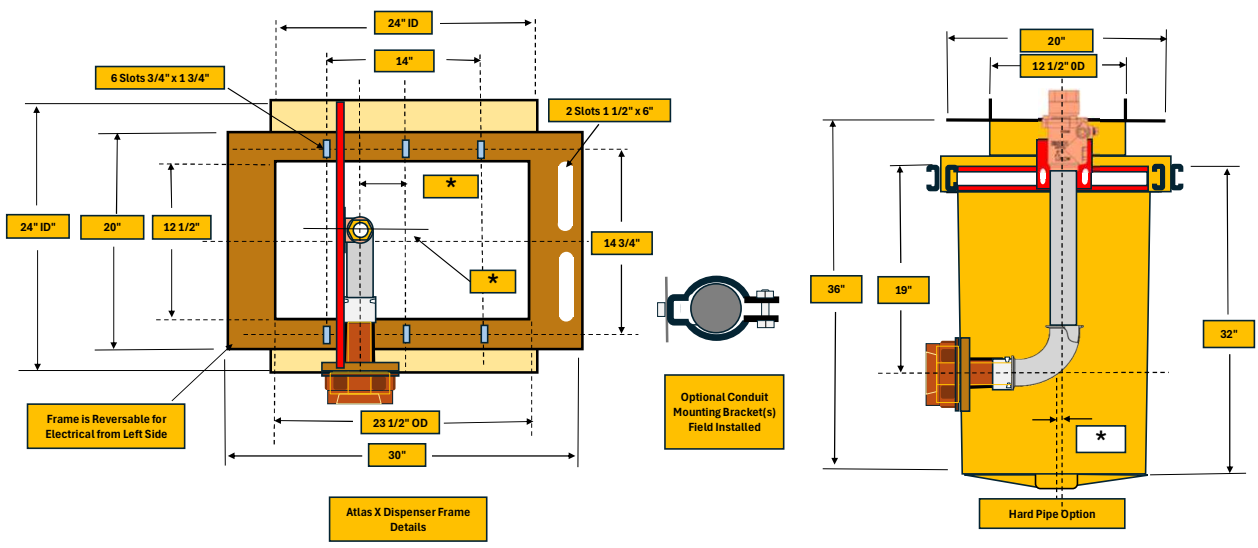
Diversified Products Manufacturing Inc
 Bennett 3000 - Surface Mounted - Under Dispenser Containment

Revision: New
 By: jwr
 Date: 7.14.2024

Graphics 



Description	Parts List	Qty	Product Number
Bennett 3000 Below Grade UDC		1	ESB BG 1L



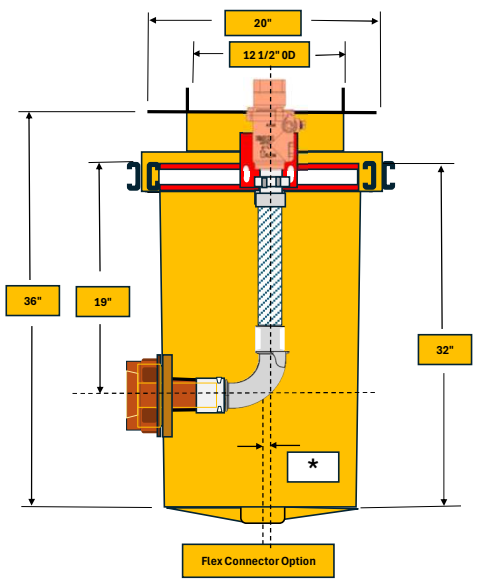
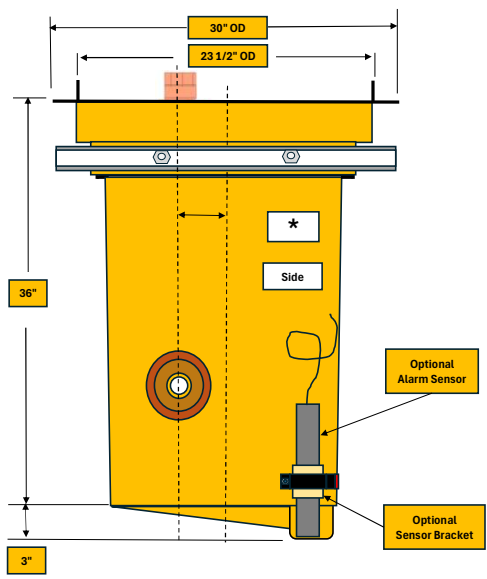
Atlas X Dispenser Frame Details

* Piping location is site and dispenser specific. Complete Drawings available on a site by site basis

Note: If this is a satellite, realign the shear valves, piping and penetration fitting to align with the master thus eliminating elbows in the piping system. Refer to the site layout for piping configuration.

- Options
- Stainless Shear Valve
 - Alarm Sensor by DPM
 - Sensor Bracket Installed by DPM
 - Hard Pipe in Lieu of Flex Connector
 - 3/4" & 1" Rigid Conduit Mounting Brackets

Note: Bennett offers multiple piping configurations for many of their dispensers. DPM provides generic engineering drawings for submittal purposes. All systems are modeled prior to fabrication to verify fit and performance. Most pre-fabricated UDC's will require offsets to complete the interface between Bennett dispensers and Diversified's UDC's. Where possible DPM Engineered UDC's will align dispensers so that only one length of pipe without elbows will connect the respective dispensers in Master/Satellite applications.




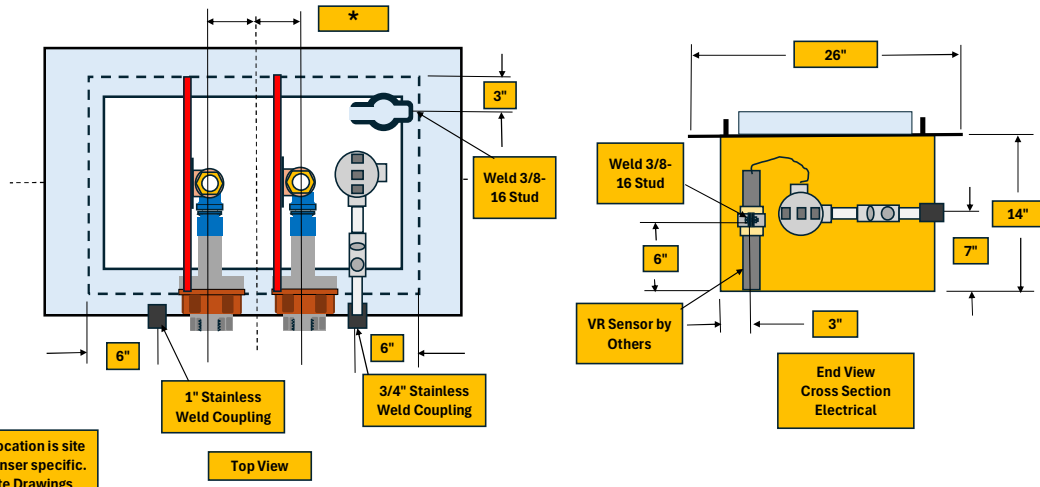
Material: Virgin Fiberglass 1/4" Wall Standard - Isophthalic Resin

Submittal Drawings

This Layout is for the Bennett 3000 Dispenser Below Grade UDC

Diversified Products Manufacturing Inc	
Bennett 3000 - Below Grade - Under Dispenser Containment	
Revision:	New
By:	jwr
Date:	9.2.2024

Graphics 



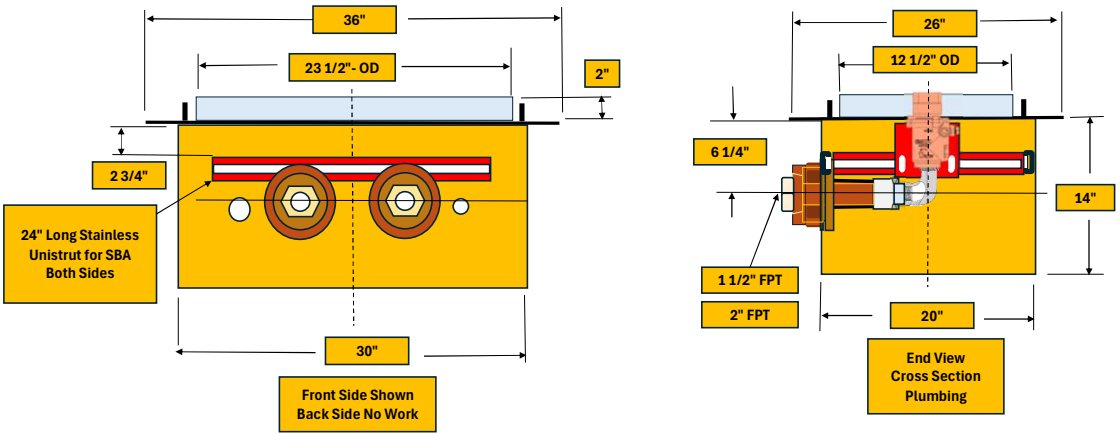
* Piping location is site and dispenser specific. Complete Drawings available on a site by site basis

Description	Parts List	Qty	Product Number
Bennett 3000 UDC		1	ESB FM SS 2L

Options

Powder Coated Steel Sump	<input type="checkbox"/>
2" Penetration Fitting	<input type="checkbox"/>
Stainless Shear Valve	<input type="checkbox"/>
Alarm Sensor by DPM	<input type="checkbox"/>

Note: Bennett offers multiple piping configurations for many of their dispensers. DPM provides generic engineering drawings for submittal purposes. All systems are modeled prior to fabrication to verify fit and performance. Most pre-fabricated UDC's will require offsets to complete the interface between Bennett dispensers and Diversified's UDC's. Where possible DPM Engineered UDC's will align dispensers so that only one length of pipe without elbows will connect the respective dispensers in Master/Satellite applications.



This Layout is for the Bennett 3000 Dispenser Side Outlet Configuration 2 Lines

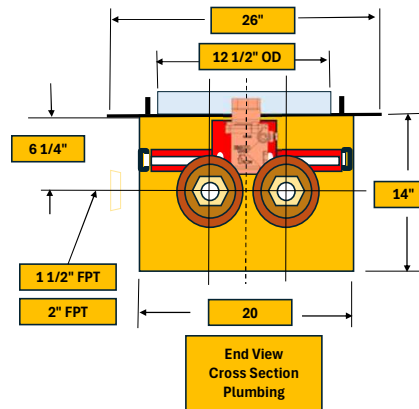
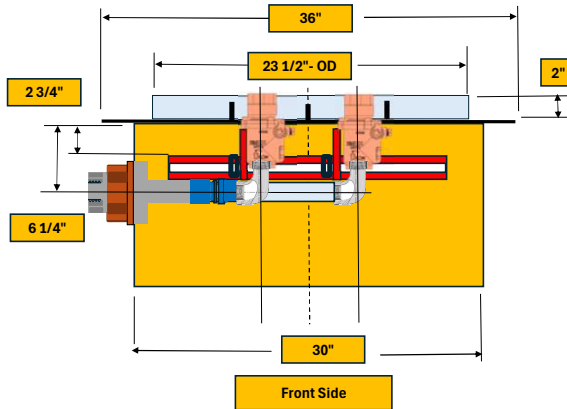
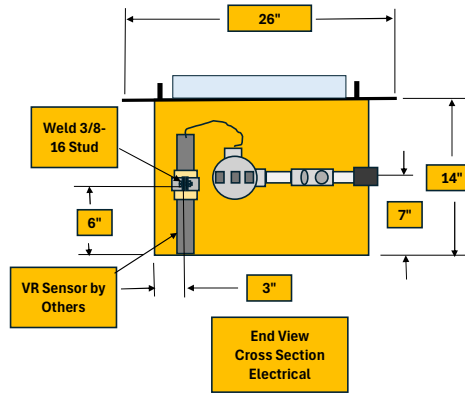
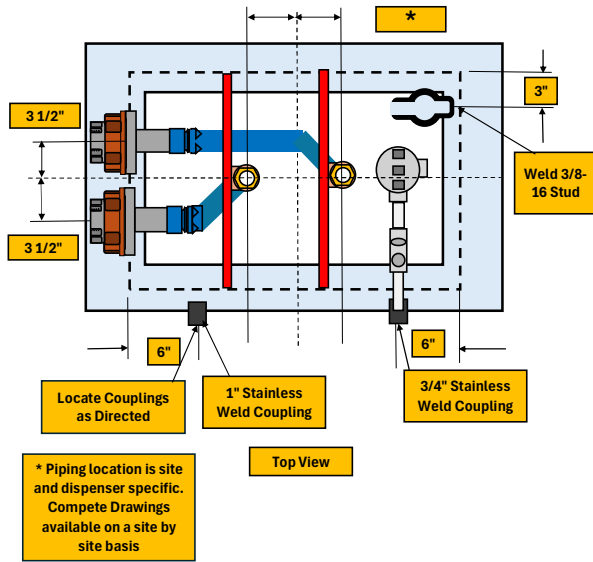
Material: 12 Gauge 304 Stainless Steel

Submittal Drawings

Diversified Products Manufacturing Inc
 Bennett 3000 - Flush Mounted - Under Dispenser Containment

Revision: New
 By: jwr
 Date: 7.28.2024

Graphics



Description	Parts List	Qty	Product Number
Bennett 3000 UDC		1	ESB FM SS 2L

Options

- Powder Coated Steel Sump
- 2" Penetration Fittings
- Stainless Shear Valves
- Alarm Sensor by DPM

Note: Bennett offers multiple piping configurations for many of their dispensers. DPM provides generic engineering drawings for submittal purposes. All systems are modeled prior to fabrication to verify fit and performance. Most pre-fabricated UDC's will require offsets to complete the interface between Bennett dispensers and Diversified's UDC's. Where possible DPM Engineered UDC's will align dispensers so that only one length of pipe without elbows will connect the respective dispensers in Master/Satellite applications.

This Layout is for the Bennett 3000 Dispensers
End Outlet Configuration - 2 Lines

Material: 12 Gauge 304 Stainless Steel

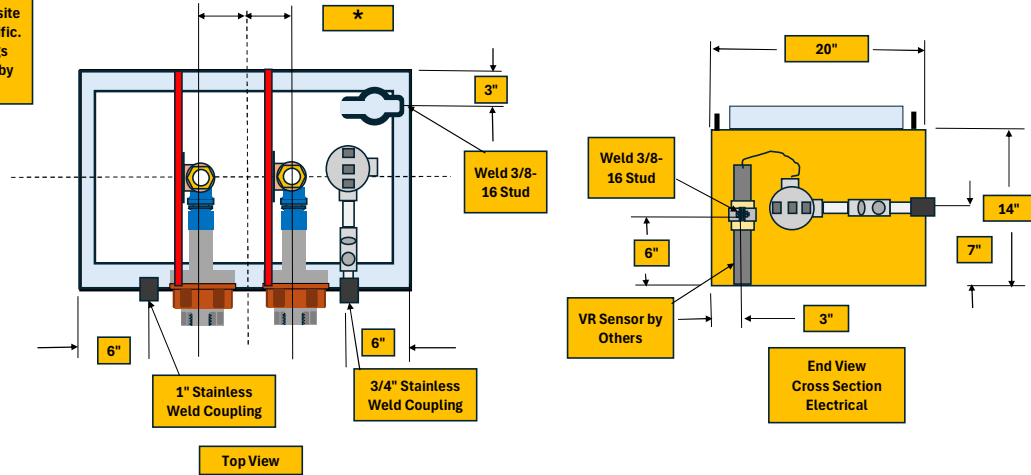
Submittal Drawings

Diversified Products Manufacturing Inc
Bennett 3000 - Flush Mounted - Under Dispenser Containment

Revision: New
By: jwr
Date: 9.2.2024

Graphics 

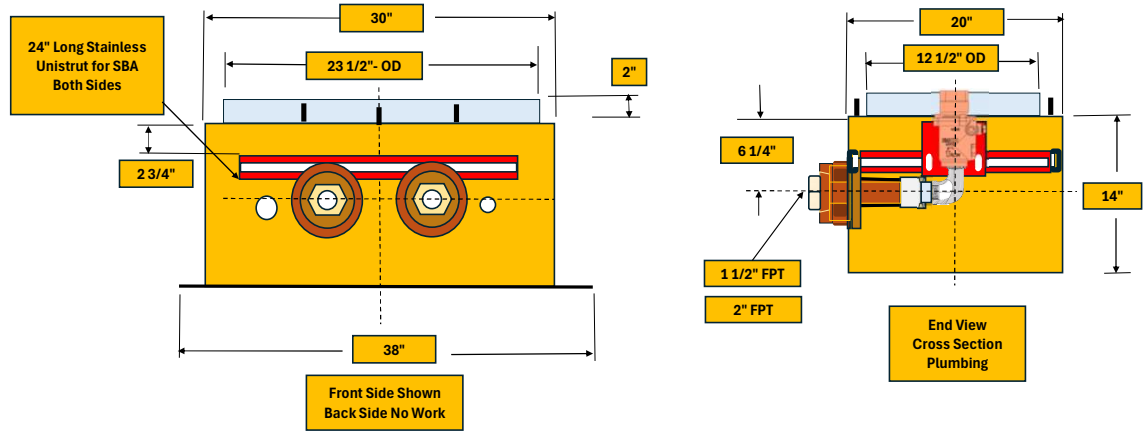
* Piping location is site and dispenser specific. Compete Drawings available on a site by site basis



Description	Qty	Product Number
Bennett 3000 UDC	1	ESB SM SS 2L

Options	
Powder Coated Steel Sump	<input type="checkbox"/>
2" Penetration Fittings	<input type="checkbox"/>
Stainless Shear Valves	<input type="checkbox"/>
Alarm Sensor by DPM	<input type="checkbox"/>

Note: Bennett offers multiple piping configurations for many of their dispensers. DPM provides generic engineering drawings for submittal purposes. All systems are modeled prior to fabrication to verify fit and performance. Most pre-fabricated UDC's will require offsets to complete the interface between Bennett dispensers and Diversified's UDC's. Where possible DPM Engineered UDC's will align dispensers so that only one length of pipe without elbows will connect the respective dispensers in Master/Satellite applications.



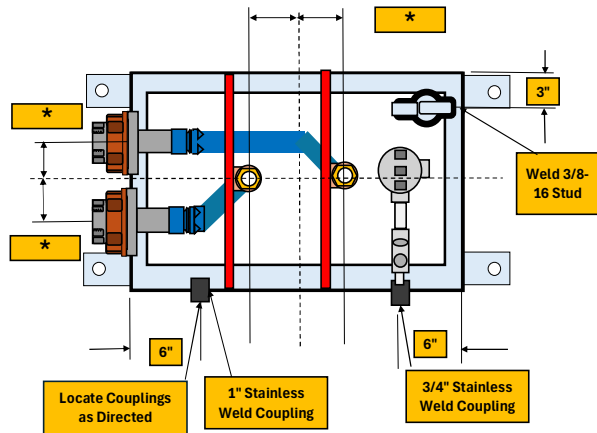
Material: 12 Gauge 304 Stainless Steel

Submittal Drawings

This Layout is for the Bennett 3000 Dispenser Side Outlet Configuration 2 Lines

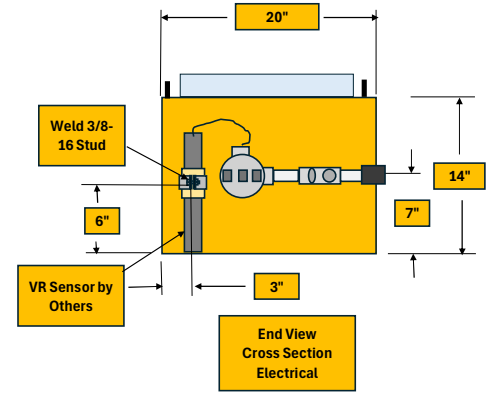
Diversified Products Manufacturing Inc
 Bennett 3000 - Surface Mounted - Under Dispenser Containment
 Revision: New
 By: jwr
 Date: 9.2.2024

Graphics 

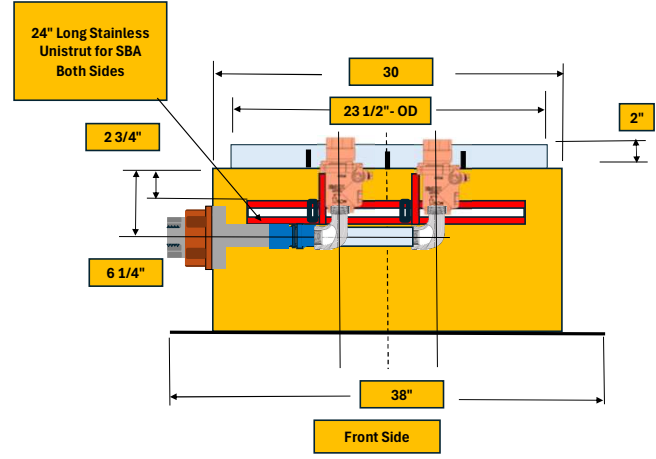


* Piping location is site and dispenser specific. Complete Drawings available on a site by site basis

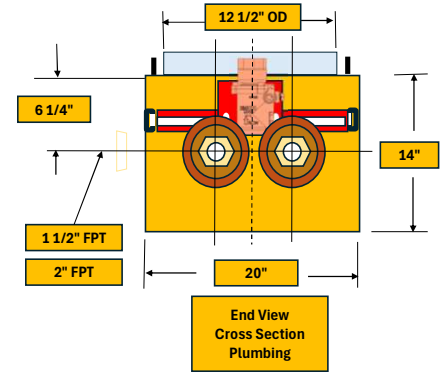
Top View



End View Cross Section Electrical



Front Side



End View Cross Section Plumbing

Material: 12 Gauge 304 Stainless Steel

Submission Drawings

Description	Parts List	Qty	Product Number
Bennett 3000 UDC		1	ESB SM SS 2L

- Options
- Powder Coated Steel Sump
 - 2" Penetration Fittings
 - Stainless Shear Valves
 - Alarm Sensor by DPM

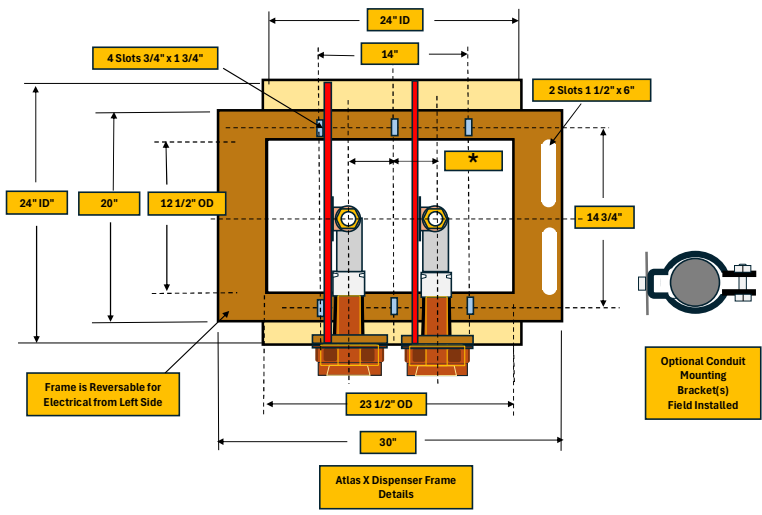
Note: Bennett offers multiple piping configurations for many of their dispensers. DPM provides generic engineering drawings for submittal purposes. All systems are modeled prior to fabrication to verify fit and performance. Most pre-fabricated UDC's will require offsets to complete the interface between Bennett dispensers and Diversified's UDC's. Where possible DPM Engineered UDC's will align dispensers so that only one length of pipe without elbows will connect the respective dispensers in Master/Satellite applications.

This Layout is for the Bennett 3000 Dispensers
End Outlet Configuration 2 Lines

Diversified Products Manufacturing Inc
 Bennett 3000 - Surface Mounted - Under Dispenser Containment

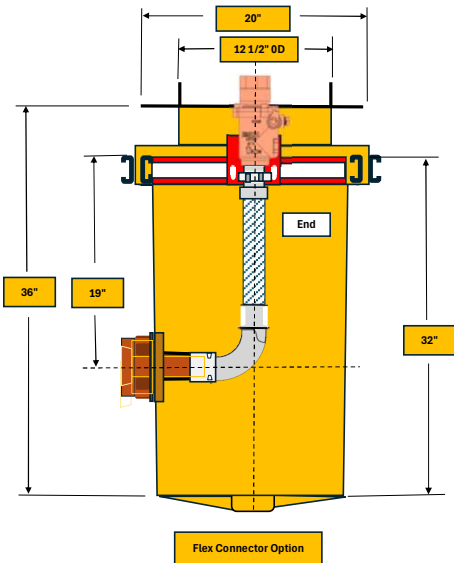
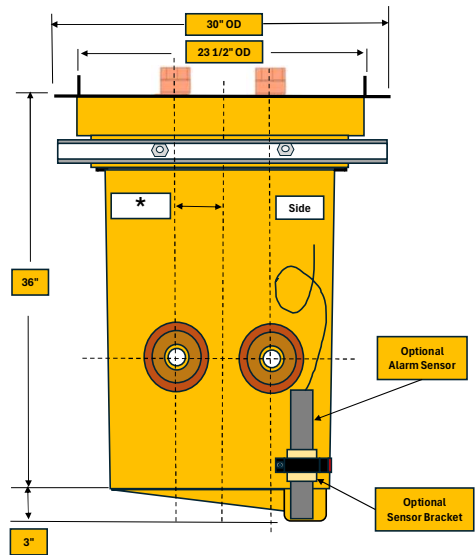
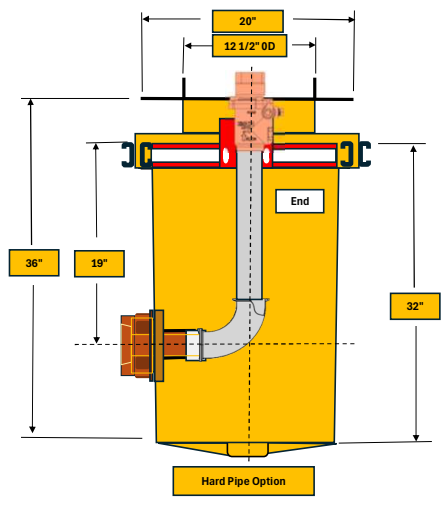
Revision: New
 By: jwr
 Date: 9.4.2024

Graphics 



Note: If this is a two product satellite, realign the shear valves, piping and penetration fitting to align with the master thus eliminating elbows in the piping system. Refer to the site layout for piping configuration.

* Piping location is site and dispenser specific. Complete Drawings available on a site by site basis



Material: Virgin Fiberglass 1/4" Wall Standard - Isophthalic Resin

Submittal Drawings

Description	Parts List	Qty	Product Number
Bennett 3000 Below Grade UDC		1	ESA BG 2L

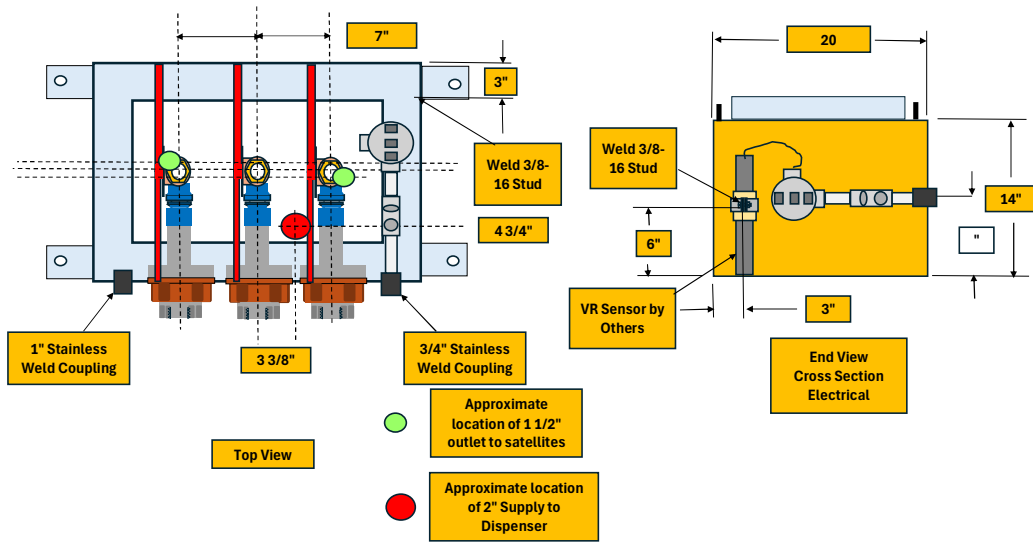
- Options
- Stainless Shear Valve
 - Alarm Sensor by DPM
 - Sensor Bracket Installed by DPM
 - Hard Pipe in Lieu of Flex Connector
 - 3/4" & 1" Rigid Conduit Mounting Brackets

Note: Bennett offers multiple piping configurations for many of their dispensers. DPM provides generic engineering drawings for submittal purposes. All systems are modeled prior to fabrication to verify fit and performance. Most pre-fabricated UDC's will require offsets to complete the interface between Bennett dispensers and Diversified's UDC's. Where possible DPM Engineered UDC's will align dispensers so that only one length of pipe without elbows will connect the respective dispensers in Master/Satellite applications.

This Layout is for the Bennett 3000 Dispenser Below Grade UDC 2 Lines

Diversified Products Manufacturing Inc	
Bennett 3000 - Below Grade - Under Dispenser Containment	
Revision:	New
By:	jwr
Date:	9.4.2024



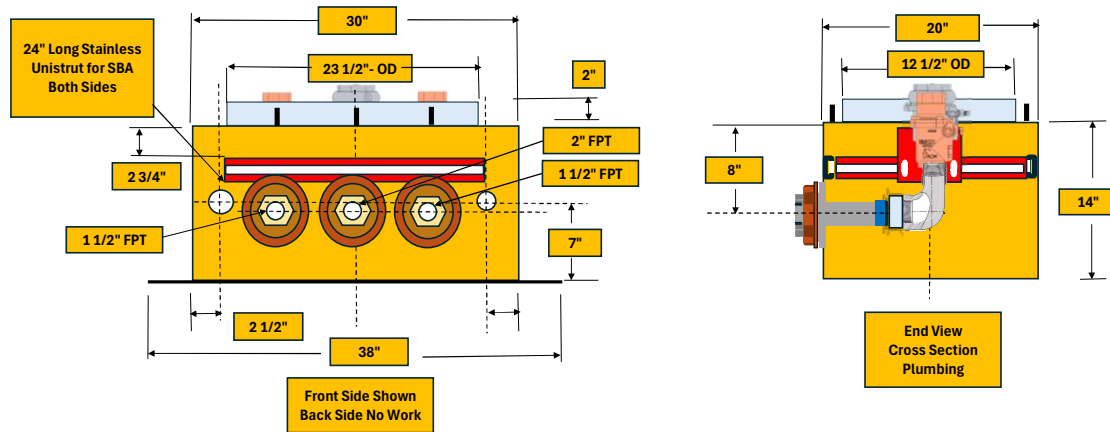


Description	Parts List	Qty	Product Number
Bennett 3000 Surface Mounted UDC		1	ESA-SM-SS 3L

Options

Powder Coated Steel Sump	<input type="checkbox"/>
Stainless Shear Valves	<input type="checkbox"/>
Alarm Sensor by DPM	<input type="checkbox"/>

Note: Bennett offers multiple piping configurations for many of their dispensers. DPM provides generic engineering drawings for submittal purposes. All systems are modeled prior to fabrication to verify fit and performance. Most pre-fabricated UDC's will require offsets to complete the interface between Bennett dispensers and Diversified's UDC's. Where possible DPM Engineered UDC's will align dispensers so that only one length of pipe without elbows will connect the respective dispensers in Master/Satellite applications.



Material: 12 Gauge 304 Stainless Steel

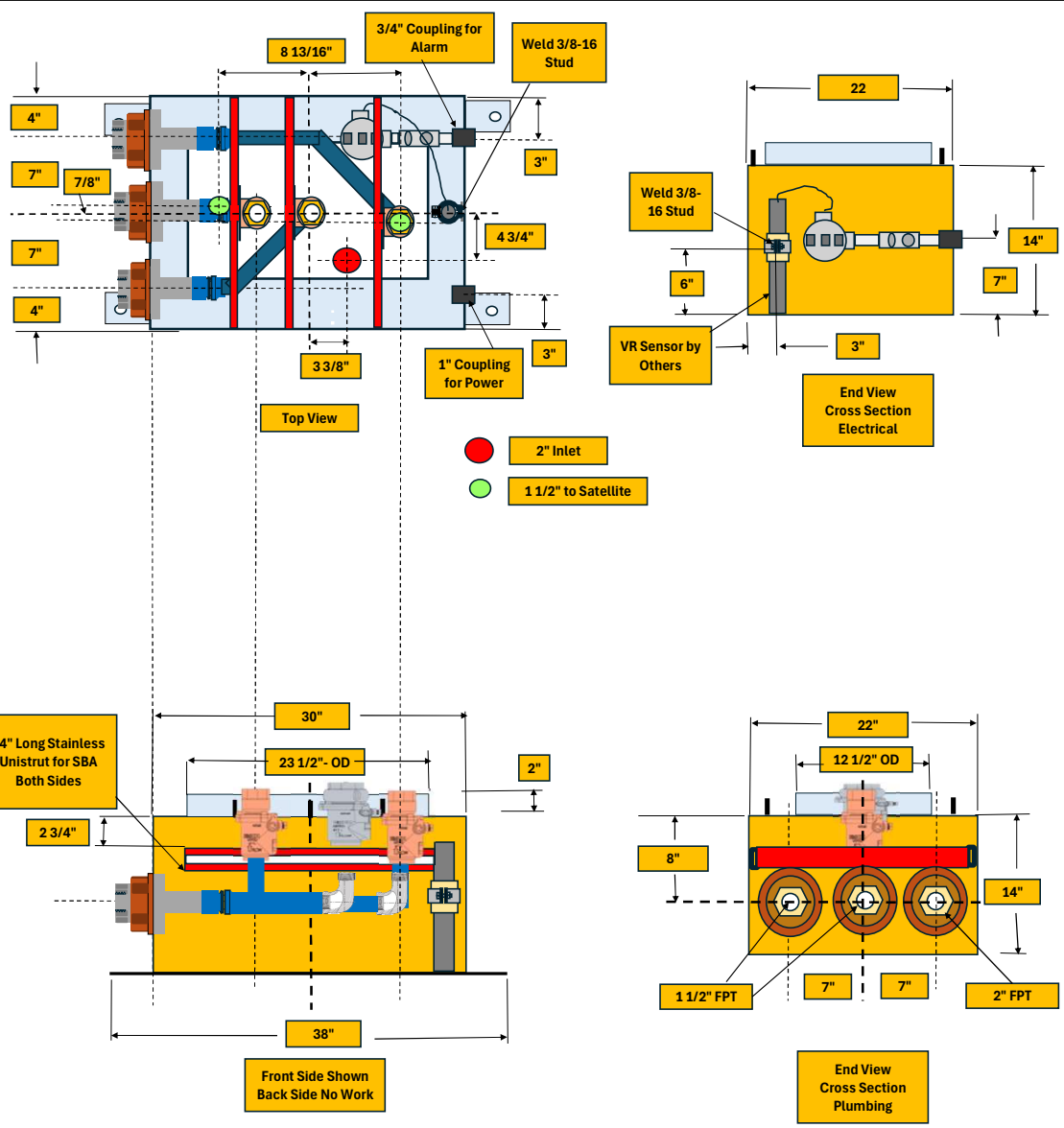
Submittal Drawings

This Layout is for the Bennett 3000 Dispensers
Side Outlet Configuration 3 Lines

Diversified Products Manufacturing Inc
Bennett 3000 - Surface Mounted - Under Dispenser Containment

Revision: New
By: jwr
Date: 9.4.2024

Graphics



Description	Parts List	Qty	Product Number
Bennett 3000 Surface Mounted UDC		1	ESA-SM-SS 3L

- Options
- Powder Coated Steel Sump
 - Stainless Shear Valves
 - Sensor Bracket Installed by DPM
 - Alarm Sensor by DPM

Note: Bennett offers multiple piping configurations for many of their dispensers. DPM provides generic engineering drawings for submittal purposes. All systems are modeled prior to fabrication to verify fit and performance. Most pre-fabricated UDC's will require offsets to complete the interface between Bennett dispensers and Diversified's UDC's. In this configuration the outlet to one satellite is configured to eliminate one offset. Custom offsets are available from DPM.

Material: 12 Gauge 304 Stainless Steel

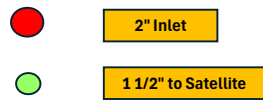
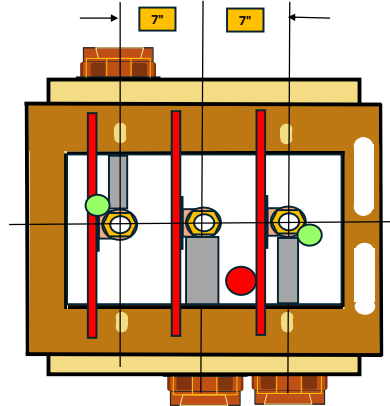
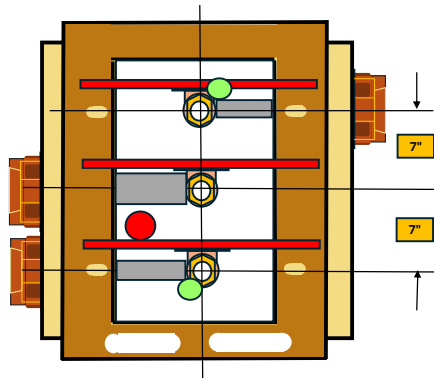
Submittal Drawings

This Layout is for the Bennett 3000 Dispenser
End Outlet Configuration 3 Lines

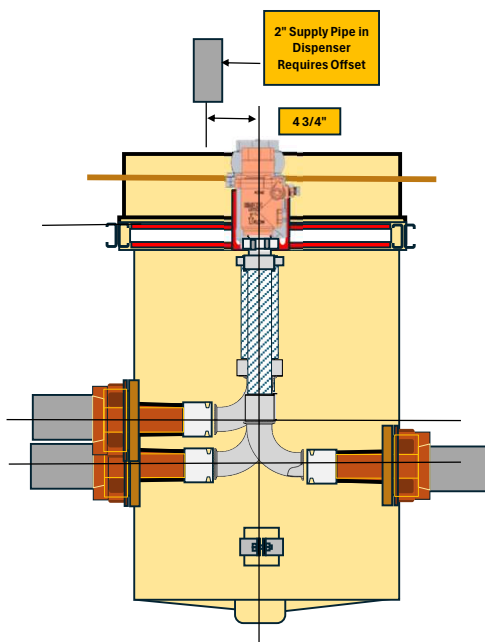
Diversified Products Manufacturing Inc
 Bennett 3000 - Surface Mounted - Under Dispenser Containment

Revision: New
 By: jwr
 Date: 7.28.2024

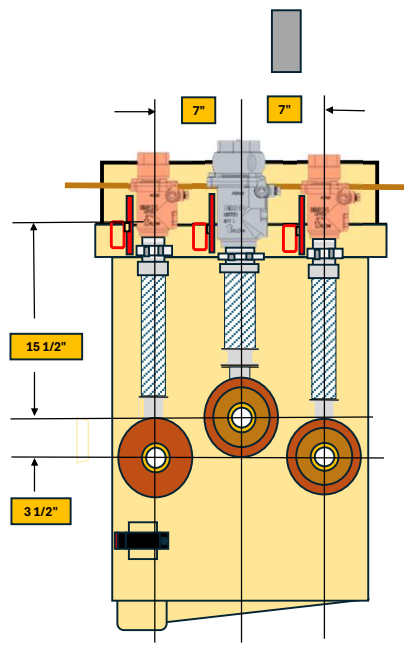
Graphics 



Note: In this configuration the shear valves may be aligned with the piping outlets eliminating two offsets



Bennett 3000 Series Master End View



Bennett 3000 Series Master Side View

Submittal Drawings

Description	Parts List	Qty	Product Number
Bennett 3000 Surface Mounted UDC		1	ESA-BG-SS 3L

Options

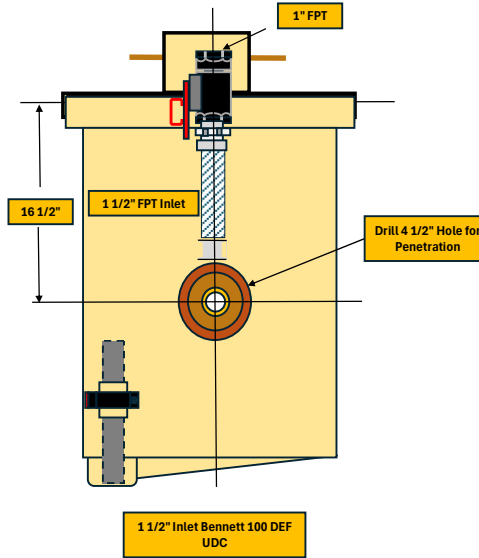
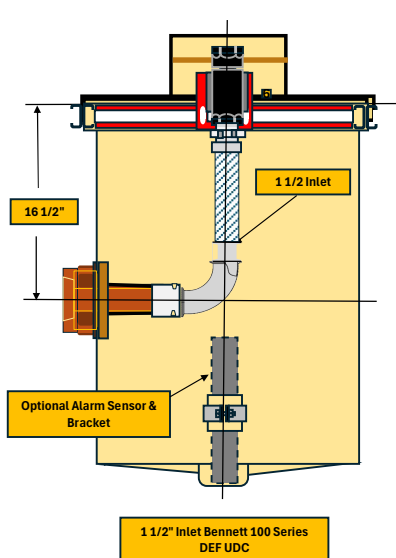
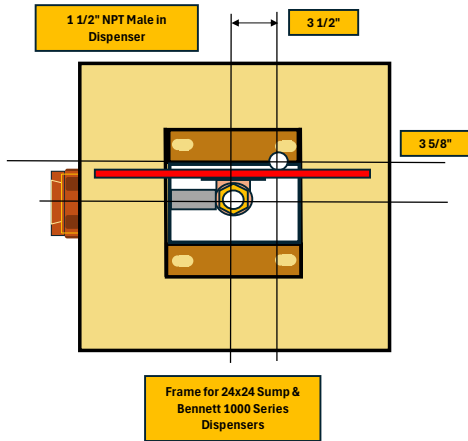
- Powder Coated Steel Sump
- Stainless Shear Valves
- Sensor Bracket Installed by DPM
- Alarm Sensor by DPM

Note: Bennett offers multiple piping configurations for many of their dispensers. DPM provides generic engineering drawings for submittal purposes. All systems are modeled prior to fabrication to verify fit and performance. Most pre-fabricated UDC's will require offsets to complete the interface between Bennett dispensers and Diversified's UDC's. In this configuration the outlet to one satellite is configured to eliminate one offset. Custom offsets are available from DPM.

Diversified Products Manufacturing Inc
 Bennett 3000 - Below Grade 3 Line - Under Dispenser Containment

Revision: New
 By: jwr
 Date: 8.9.2024

Graphics



Submittal Drawings

Description	Parts List	Qty	Product Number
Bennett 100 Below Grade DEF UDC		1	ESB-BG-DEF

Options	Qty	Product Number
Veeder Root 208 Sensor	0	SU-H55
Sensor Mounting Kit	1	SU-SMK-2.5x1.9
Interstice Test Kit (Grade Level)	0	SU-XT-Kit

Notes:

Diversified Products Manufacturing Inc
 Bennett 100 Below Grade DEF Under Dispenser Containment

Revision: New
 By: jwr
 Date: 9.17.2024

Graphics





TOC

Reference Data

Third Party Approval - ROUNDTABLE



Contact Us



October 30, 2020

Mr. Josh Dow
Diversified Products Manufacturing Inc
5523 Baggett Marysville Rd
Oroville, CA 95965

RE: NDE Reference No: NDE20201020
Third-Party Certification under UL 2447- Outline of Investigation for
Fittings Accessories for Fuels

Products Evaluated: Split Repair Fittings & Test Reducers for Containment Sumps for
Fuels PF-Penetration Fittings Series, Sump Entry Fittings and Test
Reducers
SR- Split Repair Sump Entry Fittings and Test Reducer Series
FG/PG Spilt Repair Series
CH- Series, All Chemicals used in the installation process
SU- Sumps and Accessories

Dear Mr. Dow,

In reference to the above listed products, our testing partner on this project (N.D. Eryou, PhD, PE) has performed our UL 2447 Third-Party inspection and testing. All products listed were determined to comply with the "Outline of Investigation for Fittings and Accessories for Fuels".

It is our opinion that both the design and materials used in the above products are based on sound engineering principles and the materials are compatible with all motor fuels and additives currently being used including fuels containing >10% ethanol or 20% biodiesel. Therefore, the Spill Containment Liner should have the same chemical resistance to the UL 2447 test fuels as the DPM "Products Evaluated" listed above.

Disclaimer: Underwriters Laboratories (UL) is an independent testing laboratory and use of, in any way, of the UL Listing or Registered Trade Mark UL is prohibited unless specifically authorized by Underwriters Laboratories.

Very truly yours,

Brian E Lewis
Brian E Lewis, PE



Roundtable Engineering Solutions, Inc
660 Southpointe CT, Unit 300G
Colorado Springs, CO 80906



Reference Data



Third Party Approval - N.D. ERYOU

Contact Us



Southwest Florida Office
5051 Castello Drive, Suite 244
Naples, FL 34103

Central Florida Office
1460 Breezy Way
Spring Hill, FL 34608
(352) 684-7275
Alex@eryouengineering.com

New Jersey Office
107 Lincoln Avenue
Florham Park, NJ 07932
(973) 919-6842
Robert@eryouengineering.com

NOTICE OF COMPLETION OF THIRD-PARTY UL 2447 EVALUATION

February 3, 2021

Mr. Josh Dow
Diversified Products Manufacturing Inc
5523 Baggett Marysville Rd
Oroville, CA 95965

RE: NDE Reference No: NDE20201020
Third-Party Certification under UL 2447- Outline of Investigation for
Fittings Accessories for Fuels

Products Evaluated: Split Repair Fittings & Test Reducers for Containment Sumps for Fuels
PF-Penetration Fittings Series, Sump Entry Fittings and Test Reducers
SR- Split Repair Sump Entry Fittings and Test Reducer Series
FG/PG Spilt Repair Series
CH- Series, All Chemicals used in the installation process.
SU - Sumps and Accessories

Dear Mr. Dow

In reference to the above listed products, we have performed our UL 2447 Third-Party inspection and testing. All products listed were determined to comply with the “Outline of Investigation for Fittings and Accessories for Fuels”.

It is our opinion that both the design and materials used in the above products are based on sound engineering principles and the materials are compatible with all motor fuels and additives currently being used including fuels containing >10% ethanol or 20% biodiesel. Therefore, the Spill Containment Liner should have the same chemical resistance to the UL 2447 test fuels as the DPM “Products Evaluated“ listed above.

Further to your recent request with regard to your Canadian distributors utilization of the above test results, we have compared the testing requirements of UL (US) 2447 with CAN/ULC-S664:2017 and found them to be virtually identical.

There were only two differences that we found between the two Codes.

1. ULC S664 Section 5.8.5 “Extreme Low Temperature Impact Test – requires testing at -40°F and our tests were conducted at a minimum temperature of -30°F.

2. ULC S664 Section Appendix B 1.1 Defines 21 specific grades of fuel while UL US defines four grades of fuel, which covers the wide range of fuels commonly used by gasoline and diesel-powered vehicles.

Furthermore, we have reviewed the UL (US) website which contains the following relevant statement confirming the sharing of UL specifications between UL – US and UL - Canada:

“UL STANDARDS: ACCREDITED IN THE US AND CANADA

In the US, UL is accredited by the American National Standards Institute (ANSI) as an audited designator. In 2013, UL was accredited by the Standards Council of Canada (SCC) as a nationally recognized Standards Development Organization (SDO) able to develop National Standards of Canada (NSCs).

UL's Standards Technical Panels (STPs) serve as the consensus body for both American National Standards (ANS) and National Standards of Canada (NSC). Essential information About UL's standards development programs, how to Access Standards, and how to participate in the UL programs used to Develop Standards is available on this site.”

It should not be inferred that our test of DPM products addresses the issue of long-term quality control issues as both UL (US) and UL Canada do with their annual subscription programs.

Disclaimer: Underwriters Laboratories (UL – US & UL - Canada) are independent testing laboratories and use of, in any way, of the UL Listing or Registered Trademark UL is prohibited unless specifically authorized by Underwriters Laboratories (US or Canada).

Very truly yours,



N.D. Eryou, Ph.D., P.E.
Eryou Engineering
dennis@eryouengineering.com



TOC



Contact Us

"Dare to Compare"

UDC's for Bennett 3K



Diversified Products has been producing quality products since 1991. Bennett Dispensers offer Multiple Piping options. The following comparisons represent features available in published literature by the three companies at the end of September 2024. In time all products change. Diversified's staff believes this information to be accurate and beneficial to our customer base at this time.

Features	Diversified Outside	Morrison Opening	S Bravo Outside
Above Grade Units			
Surface Mounted UDC to AtlasX Dimensions	30x20	22 1/4"x12"	30x20
Flush Mounted UDC to AtlasX Dimensions	30x20	n/a	30x20
Sensor Mounting Brackets	yes	no	no
Pre-Fabricated	yes	no	no
1 1/2" & 2" Female Pipe Thread on Penetrations	yes	n/a	no
Sensor installed by Manufacturer Option	yes	n/a	no
Below Grade Units			
Below Grade UDC to AtlasX dimensions	30x20	n/a	28x19
Double Wall Option	yes	n/a	yes
Stainless Steel Frame & Stabilizer Bar Options	yes	n/a	?
Sensor Mounting Brackets	yes	n/a	no
Pre-Fabricated	yes	n/a	?
Sensor Installed by Manufacturer Option	yes	n/a	no



Contact Us

Warranty

Limited Warranty: Diversified Products Manufacturing Inc. (DPMI) warrants that the products sold under this agreement are free from defects in design, material or workmanship for a period of (3) years on all non chemical products from the date of shipment. **DPMI MAKES NO OTHER WARRANTY WHATSOEVER, EXPRESSOR OR IMPLIED, WITH RESPECT TO THE GOODS OR WITH RESPECT TO THE MERCHANTABILITY OF THE GOODS OR THE FITNESS OF THE GOODS FOR ANY PURPOSE.** DPMI's sole obligation with respect to any defect in any of the products will be, at DPMI's option, to repair or replace the item or to refund, in the form of a credit on account, the purchase price for that item. Where practical, parts must be returned to DPMI for evaluation. DPMI will not be liable for costs of labor or other costs with the replacement of the defective item. DPMI will not be responsible for any damage to the environment or any other damage associated with the use of the product. To the maximum extent permitted by law, Buyer waives any claim against DPMI by reason of any such defect or any breach of DPMI's warranty herewith; and, without limiting the foregoing, any claim for indirect, incidental or consequential damages. Customer confirms that it has relied, is relying and will rely only on DPMI's warranty and understanding above, and that Buyer has not relied, is not relying and will not rely on any other statements, promise, affirmation, sample or model, any of which are superseded by this agreement. This warranty is conditional of Buyer promptly notifying DPMI of any alleged defect. Any product purchased by DPMI for use on or in conjunction with the Products which are manufactured by DPMI, DPMI extends to Buyer only the warranty that the product of vendor granted to DPMI.

Terms & Conditions of Sale

Payment: DPMI offers a 3% 10 day discount (less freight) from the date of invoice not the date of receipt of goods. Where a prompt payment discount is offered, funds must be received by DPMI by the 10th day following the date of invoice. Should diversified not receive payment in a timely fashion credit terms will be revoked. For payments received beyond 10 days where a discount is taken, Diversified will invoice for the discount taken. These invoices are due upon receipt. Typically all international orders are pre-pay before shipping. If any questions arise concerning accounts receivable Buyer shall contact the Credit Department for assistance. In the event of disputes Buyer shall pay the undisputed portion of the invoice within the above time.

Methods of Payment: Preferred methods of payment are by check by Phone, ACH or EFT. Credit cards while acceptable are not preferred as there is a 4% processing fee charged to the invoice. If Buyer chooses to wire funds, buyer is responsible for all bank charges both at Buyers end and DPMI's end. DPMI will invoice Buyer for all shortages on wire transfers. Such shortages must be made up within 30 days or with the next order.

Delivery: Sales are F.O.B. DPMI's factory. This means that the title to goods passes to the customer when the carrier leaves DPMI's facility. If shipping damage or loss should occur, buyer is responsible for filing the freight claim with the carrier. Buyer is responsible for noting any damage on the carrier's bill of lading. DPMI will assist in the filing of freight claims if requested to do so by the buyer. Buyer shall report any concealed damage or shortages in the Product to DPMI within (5) working days from the date of delivery.

Should a loss of product occur, after it has been shipped, Buyer is liable for payment of the original invoice as well as for invoices created for products shipped to replace lost or damaged goods. While Diversified may provide assistance to Buyer in filing a claim, financial recover of the loss is between the freight carrier and the Buyer.



TOC



Contact Us

**Diversified Products Manufacturing Inc.
Diversified Distribution Centers of California**

**5523 Baggett Marysville RD
Oroville CA 95965**

**Phone: 530-534-3966
E-Mail: Sales@DPM-LLC.com
Web: www.dpm-co.com**

**Operations Manager: Josh Dow E-Mail: JoshD@DPM-LLC.com
Engineering: John Rowe Cell: 530-599-1422, E-mail: JohnR@DPM-LLC.com
Accounting: Melissa Gorman E-mail: MelissaG@DPM-LLC.com**