

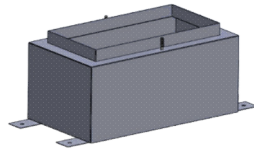
# AtlasX



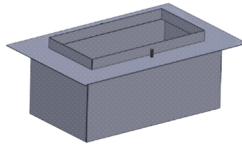
8853G & 9153G Series

## Under Dispenser Containment

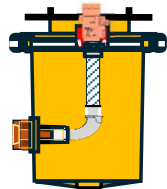
Surface Mounted



Flush Mounted



Below Grade



For all your under dispenser containment needs.

Stainless  
Powder Coated  
Fiberglass

End Outlet  
Side Outlet

Sensor Mtg Brackets  
Alarm Sensors

Plain Sumps  
Factory Fabricated Complete

Fiberglass Penetrations



August 2024



TOC

# AtlasX Under Dispenser Containment Catalog Table of Contents



Contact Us

<b>Product Introduction</b>	<b>Page 4</b>
<b>Guide to 8853G &amp; 9153G Under Dispenser Containment</b>	<b>Page 5</b>
<b>Price List</b>	
<b>8853G &amp; 9153G (One 1 1/2" Product Line)</b>	
Flush Mounted Stainless & Powder Coated Carbon Steel Side & End Outlet	<b>Page 6</b>
Surface Mounted Stainless & Powder Coated Carbon Steel Side & End Outlet	<b>Page 7</b>
Below Grade Fiberglass UDC	<b>Page 8</b>
<b>8853GX or 9153GX or 8853GXTW1 or 9153GXTW1 (One 1 1/2" Product Line)</b>	
Flush Mounted Stainless & Powder Coated Carbon Steel Side & End Outlet	<b>Page 9</b>
Surface Mounted Stainless & Powder Coated Carbon Steel Side & End Outlet	<b>Page 10</b>
Below Grade Fiberglass UDC	<b>Page 11</b>
<b>8853GTW1M or 9153GTW1M (One 2" Product Line)</b>	
Flush Mounted Stainless & Powder Coated Carbon Steel Side & End Outlet	<b>Page 12</b>
Surface Mounted Stainless & Powder Coated Carbon Steel Side & End Outlet	<b>Page 13</b>
Below Grade Fiberglass UDC	<b>Page 14</b>
<b>8853GXTW2 or 9153GXTW2 (Two 1 1/2" Product Lines)</b>	
Flush Mounted Stainless & Powder Coated Carbon Steel Side & End Outlet	<b>Page 15</b>
Surface Mounted Stainless & Powder Coated Carbon Steel Side & End Outlet	<b>Page 16</b>
Below Grade Fiberglass UDC	<b>Page 17</b>
<b>8853GTW2 or 9153GTW2 (Two 1 1/2" Product Lines)</b>	
Flush Mounted Stainless & Powder Coated Carbon Steel Side & End Outlet	<b>Page 18</b>
Surface Mounted Stainless & Powder Coated Carbon Steel Side & End Outlet	<b>Page 19</b>
Below Grade Fiberglass UDC	<b>Page 20</b>
<b>Stand Alone Components</b>	<b>Page 21</b>
<b>Data Sheets</b>	
Surface Mounted UDC's	<b>Page 22 &amp; 23</b>
Flush Mounted UDC's	<b>Page 24 &amp; 25</b>
Below Grade UDC's	<b>Page 26 &amp; 27</b>
<b>Engineered Drawings</b>	
<b>8853G &amp; 9153G</b>	
Flush Mounted Side Outlet	<b>Page 28</b>
Flush Mounted End Outlet	<b>Page 29</b>
Surface Mounted Side Outlet	<b>Page 30</b>
Surface Mounted End Outlet	<b>Page 31</b>
Below Grade Fiberglass Sump	<b>Page 32</b>

**8853GX, 8853GXTW1 and & 9153GX, 9153GXTW1**

- Flush Mounted Side Outlet**
- Flush Mounted End Outlet**
- Surface Mounted Side Outlet**
- Surface Mounted End Outlet**
- Below Grade Fiberglass Sump**

- Page 33**
- Page 34**
- Page 35**
- Page 36**
- Page 37**

**8853GTW1M & 9153GTW1M**

- Flush Mounted Side Outlet**
- Flush Mounted End Outlet**
- Surface Mounted Side Outlet**
- Surface Mounted End Outlet**
- Below Grade Fiberglass Sump**

- Page 38**
- Page 39**
- Page 40**
- Page 41**
- Page 42**

**8853GXTW2 & 9153GXTW2**

- Flush Mounted Side Outlet**
- Flush Mounted End Outlet**
- Surface Mounted Side Outlet**
- Surface Mounted End Outlet**
- Below Grade Fiberglass Sump**

- Page 43**
- Page 44**
- Page 45**
- Page 46**
- Page 47**

**8853GTW2 & 9153GTW2**

- Flush Mounted Side Outlet**
- Flush Mounted End Outlet**
- Surface Mounted Side Outlet**
- Surface Mounted End Outlet**
- Below Grade Fiberglass Sump**

- Page 48**
- Page 49**
- Page 50**
- Page 51**
- Page 52**

**Reference Data**

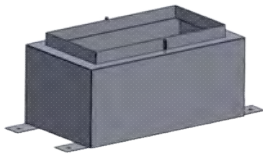
- Third party Approvals**
  - Roundtable**
  - ND Eryou**
- Dare to Compare**
- Terms & Warranty**
- Contact Factory**

- Page 53**
- Page 54 & 55**
- Page 56**
- Page 57**
- Page 58**

**Gasboy** recently introduced their Next-Gen Commercial Refueling Dispensers. This offering includes their 8800G Electronic Retail Hi Flow and 9100G Mechanical High Flow series. Diversified has developed Under Dispenser Containment for all of the offered configurations in Surface Mounted Above Grade UDC's, Flush Mounted UDC's and Below Grade UDC's. In addition to these basic configurations, DPM offers completely pre-manufactured units for both side outlet and end outlet applications. DPM's new pricing policies supports all customers from those that just want the sump to a host of options, all in a buffet style, allowing any configuration that the customer may need. Engineered drawings are available for all configurations. All Sumps are hydrostatically tested and all piping is pressure tested to 75 PSIG prior to leaving the factory.

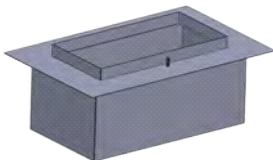
#### Surface Mounted

These UDC's are designed to match the outside profile of the AtlasX Dispensers. A unique 2" tall rain lip keeps water from entering the UDC. These dispensers are manufactured out of 12 Gauge 304 stainless or powder coated steel. Rails and stabilizer bars may be ordered in either stainless or powder coated options. Shear valve selection is available in double poppet units with powder coating or stainless options. All UDC's are available with a welded stud for a sensor mounting bracket for Veeder Root "208" sensors. Brackets are available for other sensor diameters. Units can be provided with the alarm sensor installed or the sensor may be provided and installed by the customer. These UDC's come with 4" by 3" feet for mounting to the surface. 5/8" diameter holes are included in the feet for customer provided anchoring systems. Fiberglass Penetration fittings are available in 1 1/2" FPT or 2" FPT for direct piping to the fitting. Internal piping to the share valve is all stainless. Standard units come with optional 3/4" (alarm) and 1" (power) rigid conduit couplings welded into the side of the UDC at locations specified by the customer.



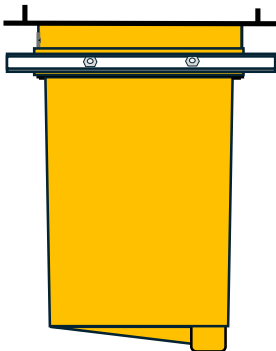
#### Flush Mounted

Flush mounted UDC's are available with all the options offered for surface mounted UDC's except there are no mounting feet. Flush mounted units are provided with a 3" wide flange. Flush mounted UDC's are usually installed in docks where the flange supports the UDC. The UDC may be welded to other support members in the field.



#### Below Grade

Below grade UDC's are manufactured using virgin fiberglass and isophthalic resins. Frames are made from the same fiberglass materials or are available in 16 gauge 304 stainless steel. Frames are slotted on one end to allow electrical components to be installed through the frame of the dispenser. Stabilizer bars and shear valves are available in powder coated or stainless options. Shear valves are double poppet. These under dispenser sumps have a sloping floor and alarm cup at one end of the sump. Rails are extended on each end of the sump for welding to structural steel or for direct burial in concrete. An alarm sensor bracket is available with a slip in feature for the sensor. Sumps are available with the sensor installed. Sensors may be provided and installed by the customer.





TOC

"Better by Design"



Contact Us

Under Dispenser Containment Options

Dispenser Selection



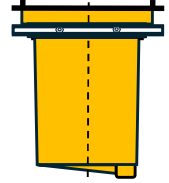
Surface Mount



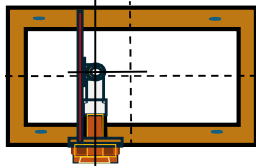
Sump Type  
Flush Mount



Below Grade



8853G & 9153G



Price List  
Data Sheet  
Engr Dwgs Side Outlet  
Engr Dwgs End Outlet

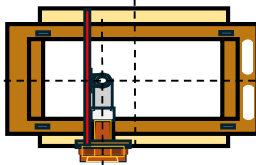


Price List  
Data Sheet  
Engr Dwgs Side Outlet  
Engr Dwgs End Outlet



Price List  
Data Sheet  
Engr Dwgs

8853GX & 9153GX  
8853GXTW1 & 9153GXTW1



Price List  
Data Sheet  
Engr Dwgs Side Outlet  
Engr Dwgs End Outlet

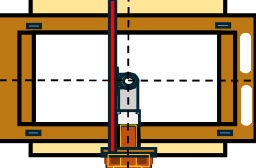


Price List  
Data Sheet  
Engr Dwgs Side Outlet  
Engr Dwgs End Outlet



Price List  
Data Sheet  
Engr Dwgs

8853GTW1M & 9153GTW1M



Price List  
Data Sheet  
Engr Dwgs Side Outlet  
Engr Dwgs End Outlet

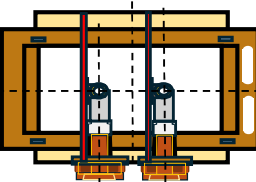


Price List  
Data Sheet  
Engr Dwgs Side Outlet  
Engr Dwgs End Outlet



Price List  
Data Sheet  
Engr Dwgs

8853GXTW2 & 9153GXTW2



Price List  
Data Sheet  
Engr Dwgs Side Outlet  
Engr Dwgs End Outlet

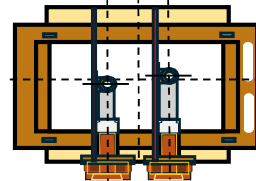


Price List  
Data Sheet  
Engr Dwgs Side Outlet  
Engr Dwgs End Outlet



Price List  
Data Sheet  
Engr Dwgs

8853GTW2 & 9152GTW2



Price List  
Data Sheet  
Engr Dwgs Side Outlet  
Engr Dwgs End Outlet



Price List  
Data Sheet  
Engr Dwgs Side Outlet  
Engr Dwgs End Outlet



Price List  
Data Sheet  
Engr Dwgs



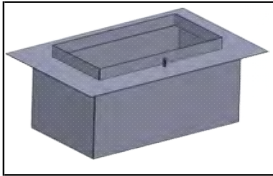
"Better by Design"

UDC's for 9153G Dispensers  
Flush Mounted-Side Outlet or End Outlet



Same pricing for 8853G Dispensers

Flush Mounted

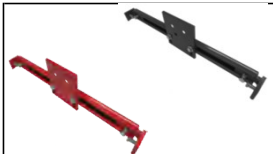
Part #	Description	List Price
ESA-FM-SS	Flush Mounted Stainless No fittings or openings no rails for Stabilizer Bar	\$2,548.49
ESA-FM-PC	Flush Mounted Powder Coated No fittings or openings no rails for Stabilizer Bar	\$1,719.25

Welded Couplings for Power or Alarm Wiring

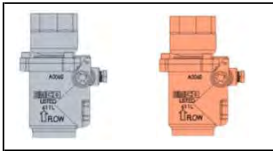
Part #	Description	List Price
SU-H72	3/4" Welded Stainless Coupling (installed)	\$62.85
SU-H73	1" Welded Stainless Coupling (Installed)	\$69.30
SU-H125	3/4" Welded Black Coupling- Powder Coated (installed)	\$55.89
SU-H126	1" Welded Black Coupling Powder Coated (Installed)	\$58.14

Stabilizer Bar Rails and Stabilizer Bar installed

Part #	Description	List Price
SU-SBA-17.5-SS	Stainless Unistrut Rails with Stainless Stabilizer Bar for standard Shear Valves (Installed)	\$339.15
SU-SBA-17.5-PC	Galvanized Unistrut Rails with Stainless Stabilizer Bar for standard Shear Valves all Powder Coated (installed)	\$190.53

Shear Valve Options Installed

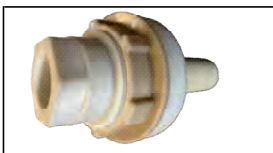
Part #	Description	List Price
SU-H70	Double Poppet Shear Valve 1 1/2" Stainless (Installed)	\$402.06
SU-H68	Double Poppet Shear Valve 1 1/2" Powder Coated (Installed)	\$273.15

Piping Installed

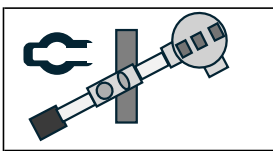
Part #	Description	List Price
SU-Piping-9153G-SS-SO	Piping for AtlasX Stainless Side Outlet (Installed)	\$237.42
SU-Piping-9153G-SS-EO	Piping for AtlasX Stainless End Outlet (Installed)	\$293.72
SU-Piping-9153G-PC-SO	Piping for AtlasX Powder Coated Side Outlet (Installed)	\$213.09
SU-Piping-9153G-PC-EO	Piping for AtlasX Powder Coated End Outlet (Installed)	\$269.39

Fiberglass Penetration Fittings

Part #	Description	List Price
PF-FGT-1.5FPTx2G	1 1/2" FPT Fiberglass Penetration Fitting with sanitary fitting to match piping. (Installed)	\$345.30
PF-FGT-2FPTx2G	2" FPT Fiberglass Penetration Fitting with sanitary fitting to match piping. (installed)	\$345.30

Electrical Alarm Sensor Options

Part #	Description	List Price
ES-EL-Kit	Electrical piping with Seal off, Unilet and sensor mounting Bracket (Installed) Sensor not included	\$597.81
ES-EL-208 Kit	Electrical piping with Seal off, Unilet and sensor mounting Bracket with VR 208 Sensor (Installed)	\$1,572.81

To calculate Total List Price put a "1" only in the box for the options required.  
Note: on conduit couplings, put a check in all boxes requested.

**\$3,453.16**

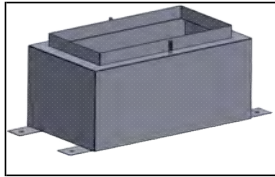


*"Better by Design"*

**UDC's for 9153G Dispensers**  
**Surface Mounted-Side Outlet or End Outlet**  
 Same pricing for 8853G Dispensers



**Surface Mounted**

Part #	Description	List Price
ESA-SM-SS	Surface Mounted Stainless No fittings or openings no rails for Stabilizer Bar	\$2,572.32
ESA-SM-PC	Surface Mounted Powder Coated No fittings or openings no rails for Stabilizer Bar	\$1,726.12

**Welded Couplings for Power or Alarm Wiring**

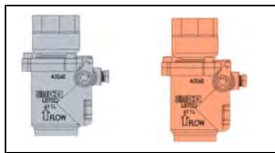
Part #	Description	List Price
SU-H72	3/4" Welded Stainless Coupling (installed)	\$62.85
SU-H73	1" Welded Stainless Coupling (Installed)	\$69.30
SU-H125	3/4" Welded Black Coupling- Powder Coated (installed)	\$55.89
SU-H126	1" Welded Black Coupling Powder Coated (Installed)	\$58.14

**Stabilizer Bar Rails and Stabilizer Bar installed**

Part #	Description	List Price
SU-SBA-17.5-SS	Stainless Unistrut Rails with Stainless Stabilizer Bar for standard Shear Valves (Installed)	\$339.15
SU-SBA-17.5-PC	Galvanized Unistrut Rails with Stainless Stabilizer Bar for standard Shear Valves all Powder Coated (installed)	\$190.53

**Shear Valve Options Installed**

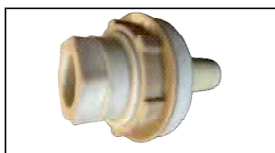
Part #	Description	List Price
SU-H70	Double Poppet Shear Valve 1 1/2" Stainless (Installed)	\$402.06
SU-H68	Double Poppet Shear Valve 1 1/2" Powder Coated (Installed)	\$273.15

**Piping Installed**

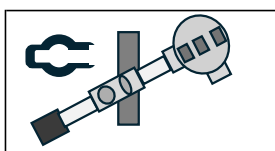
Part #	Description	List Price
SU-Piping-9153G-SS-SO	Piping for AtlasX Stainless Side Outlet (Installed)	\$237.42
SU-Piping-9153G-SS-EO	Piping for AtlasX Stainless End Outlet (Installed)	\$293.72
SU-Piping-9153G-PC-SO	Piping for AtlasX Powder Coated Side Outlet (Installed)	\$213.09
SU-Piping-9153G-PC-EO	Piping for AtlasX Powder Coated End Outlet (Installed)	\$269.39

**Fiberglass Penetration Fittings**

Part #	Description	List Price
PF-FGT-1.5FPTx2G	1 1/2" FPT Fiberglass Penetration Fitting with sanitary fitting to match piping. (Installed)	\$345.30
PF-FGT-2FPTx2G	2" FPT Fiberglass Penetration Fitting with sanitary fitting to match piping. (installed)	\$345.30

**Electrical Alarm Sensor Options**

Part #	Description	List Price
ES-EL-Kit	Electrical piping with Seal off, Unilet and sensor mounting Bracket (Installed) Sensor not included	\$597.81
ES-EL-208 Kit	Electrical piping with Seal off, Unilet and sensor mounting Bracket with VR 208 Sensor (Installed)	\$1,572.81

To calculate Total List Price put a "1" only in the box for the options required.  
 Note: on conduit couplings, put a check in all boxes requested.

**\$3,460.03**

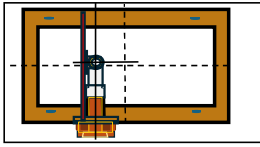


"Better by Design"

UDC's for 9153G Dispensers  
Below Grade Fiberglass UDC  
Same pricing for 8853G Dispensers

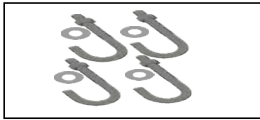


Sump



Part #	Description	List Price
ESA-BG	Below Grade Fiberglass Sump 32"Long 20"Wide 32"Deep with Frame, Rails for Stabilizer Bar, drain to Alarm Cup	\$1,537.67
ESA-BG-SS	Below Grade Fiberglass Sump 32"Long 20"Wide 32"Deep with SS Frame & SS Rails for Stabilizer Bar, drain to Alarm Cup	\$1,726.48

J Bolt Kit



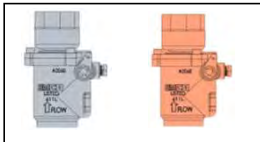
Part #	Description	List Price
SU-J Bolt-4	J Bolt Kit - 4 each 1/2" x 6" J Bolts Stainless	\$52.15
J Bolt Kits are shipped loose		

Stabilizer Bar Rails and Stabilizer Bar installed



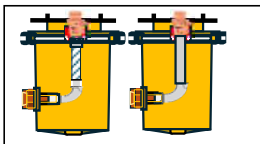
Part #	Description	List Price
SU-SBA-17.5-SS	Stainless Unistrut Rails with Stainless Stabilizer Bar for standard Shear Valves (Installed)	\$339.15
SU-SBA-17.5-PC	Galvanized Unistrut Rails with Stainless Stabilizer Bar for standard Shear Valves all Powder Coated (installed)	\$190.53

Shear Valve Options Installed



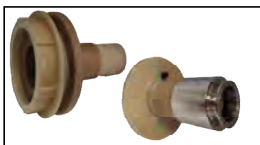
Part #	Description	List Price
SU-H70	Double Poppet Shear Valve 1 1/2" Stainless (Installed)	\$402.06
SU-H68	Double Poppet Shear Valve 1 1/2" Powder Coated (Installed)	\$273.15

Piping Installed



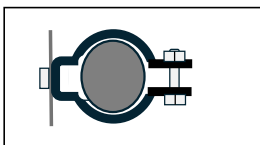
Part #	Description	List Price
SU-Piping-9153G-SS-BGF	Piping, SS for below grade sump with Flex Connector	\$379.86
SU-Piping-9153G-SS-GBH	Piping, SS for below grade sump hard piped	\$192.51
Note: All Piping components are stainless steel for either hard piped applications or for applications using a flex connector.		

Fiberglass Penetration Fittings



Part #	Description	List Price
PF-FGT-3x2G	3" over 2" FPT Fiberglass Penetration Fitting with Air Test and drain, sanitary fitting to match piping. (Installed)	\$345.30

Conduit Mounting Brackets



Part #	Description	List Price
SU-CMB-1.1	Conduit Mounting Bracket for 3/4" Rigid Conduits Shipped Loose	\$30.00
SU-CMB-1.4	Conduit Mounting Bracket for 1" Rigid Conduits Shipped Loose	\$30.00

Electrical Alarm Sensor Options



Part #	Description	List Price
SU-SMK-2.5x1.9	Pipe Clamp Assembly for VR 208 Sensor (Installed)	\$75.00
ES-EL-208 Kit	Electrical piping with Seal off, Unilet and sensor mounting Bracket with VR 208 Sensor (Installed)	\$1,572.81

To calculate Total List Price put quantity desired in the box for the options requested.

**\$2,704.16**



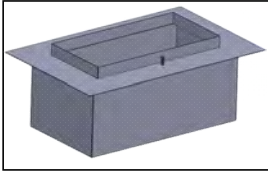


*"Better by Design"*

**UDC's for 9153 GX & 9153GXTW1 Dispensers**  
**Flush Mounted-Side Outlet or End Outlet**  
 Same pricing for 8853GX & 8853GXTW1 Dispensers



**Flush Mounted**

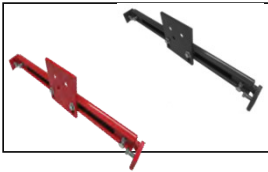

Part #	Description	List Price
ESA-FM-SS	Flush Mounted Stainless No fittings or openings no rails for Stabilizer Bar	\$2,548.49
ESA-FM-PC	Flush Mounted Powder Coated No fittings or openings no rails for Stabilizer Bar	\$1,719.25

**Welded Couplings for Power or Alarm Wiring**

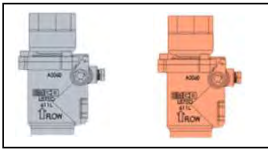

Part #	Description	List Price
SU-H72	3/4" Welded Stainless Coupling (installed)	\$62.85
SU-H73	1" Welded Stainless Coupling (Installed)	\$69.30
SU-H125	3/4" Welded Black Coupling- Powder Coated (installed)	\$55.89
SU-H126	1" Welded Black Coupling Powder Coated (Installed)	\$58.14

**Stabilizer Bar Rails and Stabilizer Bar installed**


Part #	Description	List Price
SU-SBA-17.5-SS	Stainless Unistrut Rails with Stainless Stabilizer Bar for standard Shear Valves (Installed)	\$339.15
SU-SBA-17.5-PC	Galvanized Unistrut Rails with Stainless Stabilizer Bar for standard Shear Valves all Powder Coated (installed)	\$190.53

**Shear Valve Options Installed**

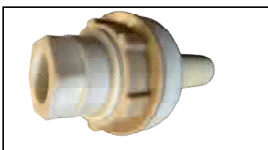

Part #	Description	List Price
SU-H70	Double Poppet Shear Valve 1 1/2" Stainless (Installed)	\$402.06
SU-H68	Double Poppet Shear Valve 1 1/2" Powder Coated (Installed)	\$273.15

**Piping Installed**

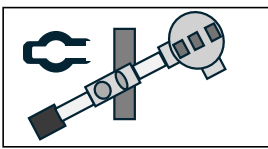

Part #	Description	List Price
SU-Piping-9153GX-SS-SO	Piping for AtlasX Stainless Side Outlet (Installed)	\$237.42
SU-Piping-9153GX-SS-EO	Piping for AtlasX Stainless End Outlet (Installed)	\$293.72
SU-Piping-9153GX-PC-SO	Piping for AtlasX Powder Coated Side Outlet (Installed)	\$213.09
SU-Piping-9153GX-PC-EO	Piping for AtlasX Powder Coated End Outlet (Installed)	\$269.39

**Fiberglass Penetration Fittings**


Part #	Description	List Price
PF-FGT-1.5FPTx2G	1 1/2" FPT Fiberglass Penetration Fitting with sanitary fitting to match piping. (Installed)	\$345.30
PF-FGT-2FPTx2G	2" FPT Fiberglass Penetration Fitting with sanitary fitting to match piping. (installed)	\$345.30

**Electrical Alarm Sensor Options**


Part #	Description	List Price
ES-EL-Kit	Electrical piping with Seal off, Unilet and sensor mounting Bracket (Installed) Sensor not included	\$597.81
ES-EL-208 Kit	Electrical piping with Seal off, Unilet and sensor mounting Bracket with VR208 Sensor (Installed)	\$1,572.81

To calculate Total List Price put a "1" only in the box for the options required.  
 Note: on conduit couplings, put a check in all boxes requested.

**\$3,453.16**



TOC

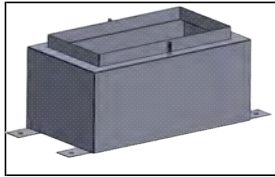
"Better by Design"

UDC's for 9153 GX & 9153GXTW1 Dispensers  
Surface Mounted-Side Outlet or End Outlet  
Same pricing for 8853GX & 8853GXTW1 Dispensers



Contact Us

Surface Mounted



Part #	Description	List Price
ESA-SM-SS	Surface Mounted Stainless No fittings or openings no rails for Stabilizer Bar	\$2,572.32
ESA-SM-PC	Surface Mounted Powder Coated No fittings or openings no rails for Stabilizer Bar	\$1,726.12

Welded Couplings for Power or Alarm Wiring



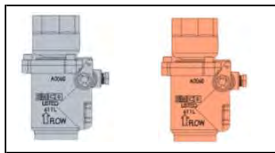
Part #	Description	List Price
SU-H72	3/4" Welded Stainless Coupling (installed)	\$62.85
SU-H73	1" Welded Stainless Coupling (Installed)	\$69.30
SU-H125	3/4" Welded Black Coupling- Powder Coated (installed)	\$55.89
SU-H126	1" Welded Black Coupling Powder Coated (Installed)	\$58.14

Stabilizer Bar Rails and Stabilizer Bar installed



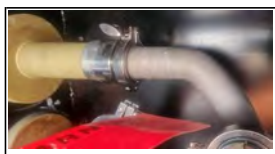
Part #	Description	List Price
SU-SBA-17.5-SS	Stainless Unistrut Rails with Stainless Stabilizer Bar for standard Shear Valves (Installed)	\$339.15
SU-SBA-17.5-PC	Galvanized Unistrut Rails with Stainless Stabilizer Bar for standard Shear Valves all Powder Coated (installed)	\$190.53

Shear Valve Options Installed



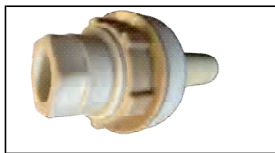
Part #	Description	List Price
SU-H70	Double Poppet Shear Valve 1 1/2" Stainless (Installed)	\$402.06
SU-H68	Double Poppet Shear Valve 1 1/2" Powder Coated (Installed)	\$273.15

Piping Installed



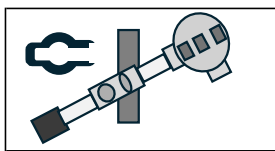
Part #	Description	List Price
SU-Piping-9153GX-SS-SO	Piping for AtlasX Stainless Side Outlet (Installed)	\$237.42
SU-Piping-9153GX-SS-EO	Piping for AtlasX Stainless End Outlet (Installed)	\$293.72
SU-Piping-9153GX-PC-SO	Piping for AtlasX Powder Coated Side Outlet (Installed)	\$213.09
SU-Piping-9153GX-PC-EO	Piping for AtlasX Powder Coated End Outlet (Installed)	\$269.39

Fiberglass Penetration Fittings



Part #	Description	List Price
PF-FGT-1.5FPTx2G	1 1/2" FPT Fiberglass Penetration Fitting with sanitary fitting to match piping. (Installed)	\$345.30
PF-FGT-2FPTx2G	2" FPT Fiberglass Penetration Fitting with sanitary fitting to match piping. (installed)	\$345.30

Electrical Alarm Sensor Options



Part #	Description	List Price
ES-EL-Kit	Electrical piping with Seal off, Unilet and sensor mounting Bracket (Installed) Sensor not included	\$597.81
ES-EL-208 Kit	Electrical piping with Seal off, Unilet and sensor mounting Bracket with VR 208 Sensor (Installed)	\$1,572.81

To calculate Total List Price put a "1" only in the box for the options required.  
Note: on conduit couplings, put a check in all boxes requested.

**\$3,460.03**



TOC

"Better by Design"

UDC's for 9153GX & 9153GXTW1 Dispensers

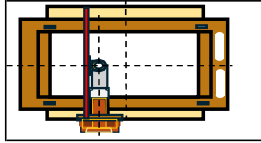
Below Grade Fiberglass UDC

Same pricing for 8853G Dispensers



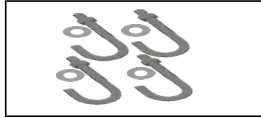
Contact Us

Sump



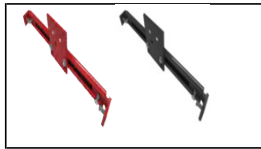
Part #	Description	List Price
ESA-BG	Below Grade Fiberglass Sump 32"Long 20"Wide 32"Deep with Frame, Rails for Stabilizer Bar, drain to Alarm Cup	\$1,537.67
ESA-BG-SS	Below Grade Fiberglass Sump 32"Long 20"Wide 32"Deep with SS Frame & SS Rails for Stabilizer Bar, drain to Alarm Cup	\$1,726.48

J Bolt Kit



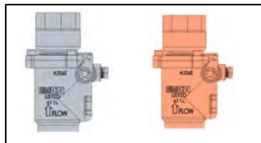
Part #	Description	List Price
SU-J Bolt-4	J Bolt Kit - 4 each 1/2" x 6" J Bolts Stainless	\$52.15
J Bolt Kits are shipped loose		

Stabilizer Bar Rails and Stabilizer Bar installed



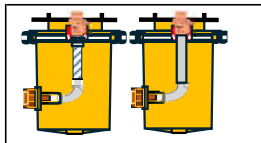
Part #	Description	List Price
SU-SBA-17.5-SS	Stainless Unistrut Rails with Stainless Stabilizer Bar for standard Shear Valves (Installed)	\$339.15
SU-SBA-17.5-PC	Galvanized Unistrut Rails with Stainless Stabilizer Bar for standard Shear Valves all Powder Coated (installed)	\$190.53

Shear Valve Options Installed



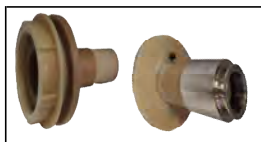
Part #	Description	List Price
SU-H70	Double Poppet Shear Valve 1 1/2" Stainless (Installed)	\$402.06
SU-H68	Double Poppet Shear Valve 1 1/2" Powder Coated (Installed)	\$273.15

Piping Installed



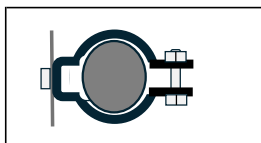
Part #	Description	List Price
SU-Piping-9153GX-SS-BGF	Piping, SS for below grade sump with Flex Connector	\$379.86
SU-Piping-9153GX-SS-BGH	Piping, SS for below grade sump hard piped	\$192.51
Note: All Piping components are stainless steel for either hard piped applications or for applications using a flex connector.		

Fiberglass Penetration Fittings



Part #	Description	List Price
PF-FGT-3x2G	3" over 2" FPT Fiberglass Penetration Fitting with Air Test and drain, sanitary fitting to match piping. (Installed)	\$345.30

Conduit Mounting Brackets



Part #	Description	List Price
SU-CMB-1.1	Conduit Mounting Bracket for 3/4" Rigid Conduits Shipped Loose	\$30.00
SU-CMB-1.4	Conduit Mounting Bracket for 1" Rigid Conduits Shipped Loose	\$30.00

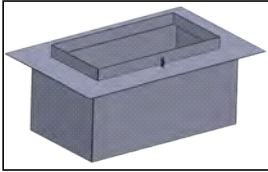
Electrical Alarm Sensor Options



Part #	Description	List Price
SU-SMK-2.5x1.9	Pipe Clamp Assembly for VR 208 Sensor (Installed)	\$75.00
ES-EL-208 Kit	Electrical piping with Seal off, Unilet and sensor mounting Bracket with VR 208 Sensor (Installed)	\$1,572.81

To calculate Total List Price put quantity desired in the box for the options requested.	<b>\$2,704.16</b>
--	-------------------

**Flush Mounted**

Part #	Description	List Price
ESA-FM-SS	Flush Mounted Stainless No fittings or openings no rails for Stabilizer Bar	\$2,548.49
ESA-FM-PC	Flush Mounted Powder Coated No fittings or openings no rails for Stabilizer Bar	\$1,719.25

**Welded Couplings for Power or Alarm Wiring**

Part #	Description	List Price
SU-H72	3/4" Welded Stainless Coupling (installed)	\$62.85
SU-H73	1" Welded Stainless Coupling (Installed)	\$69.30
SU-H125	3/4" Welded Black Coupling- Powder Coated (installed)	\$55.89
SU-H126	1" Welded Black Coupling Powder Coated (Installed)	\$58.14

**Stabilizer Bar Rails and Stabilizer Bar installed**

Part #	Description	List Price
SU-SBA-17.5-SS	Stainless Unistrut Rails with Stainless Stabilizer Bar for standard Shear Valves (Installed)	\$339.15
SU-SBA-17.5-PC	Galvanized Unistrut Rails with Stainless Stabilizer Bar for standard Shear Valves all Powder Coated (installed)	\$190.53

**Shear Valve Options Installed**



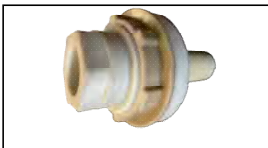

Part #	Description	List Price
SU-H70	Double Poppet Shear Valve 1 1/2" Stainless (Installed)	\$402.06

**Piping Installed**

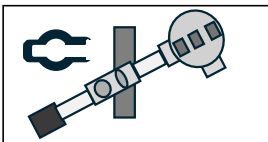
Part #	Description	List Price
SU-Piping-9153GTW1M-SS-SO	Piping for AtlasX Stainless Side Outlet (Installed)	\$256.68
SU-Piping-9153GTW1M-SS-EO	Piping for AtlasX Stainless End Outlet (Installed)	\$312.98
SU-Piping-9153GTW1M-PC-SO	Piping for AtlasX Powder Coated Side Outlet (Installed)	\$211.68
SU-Piping-9153GTW1M-PC-EO	Piping for AtlasX Powder Coated End Outlet (Installed)	\$267.98

**Fiberglass Penetration Fittings**




Part #	Description	List Price
PF-FGT-2FPTx2G	2" FPT Fiberglass Penetration Fitting with sanitary fitting to match piping. (installed)	\$345.30

**Electrical Alarm Sensor Options**

Part #	Description	List Price
ES-EL-Kit	Electrical piping with Seal off, Unilet and sensor mounting Bracket (Installed) Sensor not included	\$597.81
ES-EL-208 Kit	Electrical piping with Seal off, Unilet and sensor mounting Bracket with VR 208 Sensor (Installed)	\$1,572.81

To calculate Total List Price put a "1" only in the box for the options required.  
Note: on conduit couplings, put a check in all boxes requested.

**\$2,833.30**

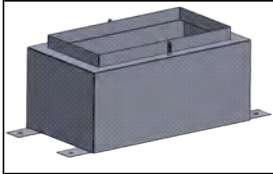


*"Better by Design"*

**UDC's for 9153GTW1M Dispensers**  
**Surface Mounted-Side Outlet or End Outlet**  
 Same pricing for 8853GTW1M Dispensers



**Surface Mounted**

Part #	Description	List Price
ESA-SM-SS	Surface Mounted Stainless No fittings or openings no rails for Stabilizer Bar	\$2,572.32
ESA-SM-PC	Surface Mounted Powder Coated No fittings or openings no rails for Stabilizer Bar	\$1,726.12

**Welded Couplings for Power or Alarm Wiring**

Part #	Description	List Price
SU-H72	3/4" Welded Stainless Coupling (installed)	\$62.85
SU-H73	1" Welded Stainless Coupling (Installed)	\$69.30
SU-H125	3/4" Welded Black Coupling- Powder Coated (installed)	\$55.89
SU-H126	1" Welded Black Coupling Powder Coated (Installed)	\$58.14

**Stabilizer Bar Rails and Stabilizer Bar installed**

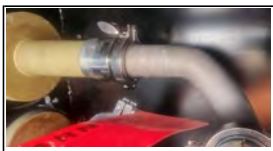
Part #	Description	List Price
SU-SBA-17.5-SS	Stainless Unistrut Rails with Stainless Stabilizer Bar for standard Shear Valves (Installed)	\$339.15
SU-SBA-17.5-PC	Galvanized Unistrut Rails with Stainless Stabilizer Bar for standard Shear Valves all Powder Coated (installed)	\$190.53

**Shear Valve Options Installed**



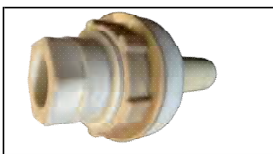

Part #	Description	List Price
SU-H70	Double Poppet Shear Valve 2" Stainless (Installed)	\$767.88

**Piping Installed**

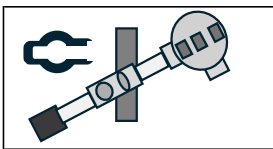
Part #	Description	List Price
SU-Piping-9153GTW1M-SS-SO	Piping for AtlasX Stainless Side Outlet (Installed)	\$256.68
SU-Piping-9153GTW1M-SS-EO	Piping for AtlasX Stainless End Outlet (Installed)	\$293.72
SU-Piping-9153GTW1M-PC-SO	Piping for AtlasX Powder Coated Side Outlet (Installed)	\$211.68
SU-Piping-9153GTW1M-PC-EO	Piping for AtlasX Powder Coated End Outlet (Installed)	\$269.39

**Fiberglass Penetration Fittings**




Part #	Description	List Price
PF-FGT-2FPTx2G	2" FPT Fiberglass Penetration Fitting with sanitary fitting to match piping. (installed)	\$345.30

**Electrical Alarm Sensor Options**

Part #	Description	List Price
ES-EL-Kit	Electrical piping with Seal off, Unilet and sensor mounting Bracket (Installed) Sensor not included	\$597.81
ES-EL-208 Kit	Electrical piping with Seal off, Unilet and sensor mounting Bracket with VR 208 Sensor (Installed)	\$1,572.81

To calculate Total List Price put a "1" only in the box for the options required.  
 Note: on conduit couplings, put a check in all boxes requested.

**\$2,840.17**

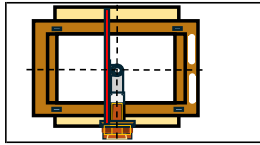


"Better by Design"

UDC's for 9153GX & 9153GXTW1 Dispensers  
Below Grade Fiberglass UDC  
Same pricing for 8853G Dispensers



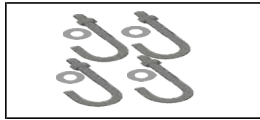
**Sump**



1

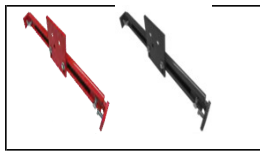
Part #	Description	List Price
ESA-BG	Below Grade Fiberglass Sump 32"Long 20"Wide 32"Deep with Frame, Rails for Stabilizer Bar, drain to Alarm Cup	\$1,537.67
ESA-BG-SS	Below Grade Fiberglass Sump 32"Long 20"Wide 32"Deep with SS Frame & SS Rails for Stabilizer Bar, drain to Alarm Cup	\$1,726.48

**J Bolt Kit**



Part #	Description	List Price
SU-J Bolt-4	J Bolt Kit - 4 each 1/2" x 6" J Bolts Stainless	\$52.15
J Bolt Kits are shipped loose		

**Stabilizer Bar Rails and Stabilizer Bar installed**



1

Part #	Description	List Price
SU-SBA-17.5-SS	Stainless Unistrut Rails with Stainless Stabilizer Bar for standard Shear Valves (Installed)	\$339.15
SU-SBA-17.5-PC	Galvanized Unistrut Rails with Stainless Stabilizer Bar for standard Shear Valves all Powder Coated (installed)	\$190.53

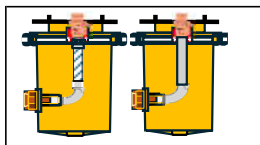
**Shear Valve Options Installed**



1

Part #	Description	List Price
SU-H71	Double Poppet Shear Valve 2" Stainless (Installed)	\$766.98

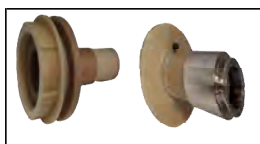
**Piping Installed**



1

Part #	Description	List Price
SU-Piping-9153GTW1M-SS-BGF	Piping, SS for below grade sump with Flex Connector	\$391.95
SU-Piping-9153GTW1M-SS-BGH	Piping, SS for below grade sump hard piped	\$220.41
Note: All Piping components are stainless steel for either hard piped applications or for applications using a flex connector.		

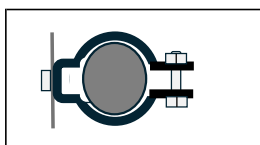
**Fiberglass Penetration Fittings**



1

Part #	Description	List Price
PF-FGT-3x2G	3" over 2" FPT Fiberglass Penetration Fitting with Air Test and drain, sanitary fitting to match piping. (Installed)	\$345.30

**Conduit Mounting Brackets**

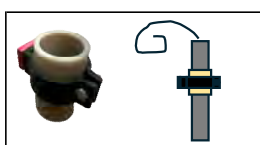


2

1

Part #	Description	List Price
SU-CMB-1.1	Conduit Mounting Bracket for 3/4" Rigid Conduits Shipped Loose	\$30.00
SU-CMB-1.4	Conduit Mounting Bracket for 1" Rigid Conduits Shipped Loose	\$30.00

**Electrical Alarm Sensor Options**



1

Part #	Description	List Price
SU-SMK-2.5x1.9	Pipe Clamp Assembly for VR 208 Sensor (Installed)	\$75.00
ES-EL-208 Kit	Electrical piping with Seal off, Unilet and sensor mounting Bracket with VR 208 Sensor (Installed)	\$1,572.81

To calculate Total List Price put quantity desired in the box for the options requested.	<b>\$3,225.89</b>
--	-------------------

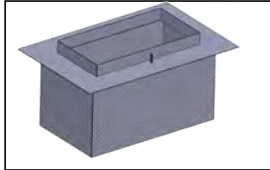


*"Better by Design"*

**UDC's for 9153GXTW2 Dispensers**  
**Flush Mounted-Side Outlet or End Outlet**  
 Same pricing for 8853GXTW2 Dispensers



**Flush Mounted**



Part #	Description	List Price
ESA-FM-SS	Flush Mounted Stainless No fittings or openings no rails for Stabilizer Bar	\$2,548.49
ESA-FM-PC	Flush Mounted Powder Coated No fittings or openings no rails for Stabilizer Bar	\$1,719.25

**Welded Couplings for Power or Alarm Wiring**



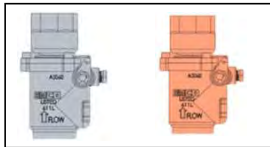
Part #	Description	List Price
SU-H72	3/4" Welded Stainless Coupling (installed)	\$62.85
SU-H73	1" Welded Stainless Coupling (Installed)	\$69.30
SU-H125	3/4" Welded Black Coupling- Powder Coated (installed)	\$55.89
SU-H126	1" Welded Black Coupling Powder Coated (Installed)	\$58.14

**Stabilizer Bar Rails and Stabilizer Bar installed**



Part #	Description	List Price
SU-SBA-17.5-SS	Stainless Unistrut Rails with Stainless Stabilizer Bar for standard Shear Valves (Installed)	\$339.15
SU-SBA-17.5-PC	Galvanized Unistrut Rails with Stainless Stabilizer Bar for standard Shear Valves all Powder Coated (installed)	\$190.53

**Shear Valve Options Installed**



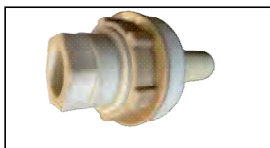
Part #	Description	List Price
SU-H70	Double Poppet Shear Valve 1 1/2" Stainless (Installed)	\$402.06
SU-H68	Double Poppet Shear Valve 1 1/2" Powder Coated (Installed)	\$273.15

**Piping Installed**



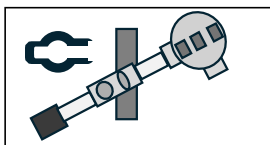
Part #	Description	List Price
SU-Piping-9153GXTW2-SS-SO	Piping for AtlasX Stainless Side Outlet (Installed)	\$256.68
SU-Piping-9153GXTW2-SS-EO	Piping for AtlasX Stainless End Outlet (Installed)	\$312.98
SU-Piping-9153GXTW2-PC-SO	Piping for AtlasX Powder Coated Side Outlet (Installed)	\$211.68
SU-Piping-9153GXTW2-PC-EO	Piping for AtlasX Powder Coated End Outlet (Installed)	\$267.98

**Fiberglass Penetration Fittings**



Part #	Description	List Price
PF-FGT-1.5FPTx2G	1 1/2" FPT Fiberglass Penetration Fitting with sanitary fitting to match piping. (Installed)	\$345.30
PF-FGT-2FPTx2G	2" FPT Fiberglass Penetration Fitting with sanitary fitting to match piping. (installed)	\$345.30

**Electrical Alarm Sensor Options**

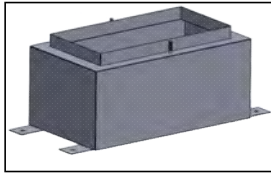


Part #	Description	List Price
ES-EL-Kit	Electrical piping with Seal off, Unilet and sensor mounting Bracket (Installed) Sensor not included	\$597.81
ES-EL-208 Kit	Electrical piping with Seal off, Unilet and sensor mounting Bracket with VR 208 Sensor (Installed)	\$1,572.81

This Dispenser has two product Lines. Put a "1" or "2" in the appropriate boxes to get the correct List Price.  
 Note: on conduit couplings, put a check in all boxes requested.

**\$4,472.41**

**Flush Mounted**


Part #	Description	List Price
ESA-SM-SS	Surface Mounted Stainless No fittings or openings no rails for Stabilizer Bar	\$2,572.32
ESA-SM-PC	Surface Mounted Powder Coated No fittings or openings no rails for Stabilizer Bar	\$1,726.12

**Welded Couplings for Power or Alarm Wiring**

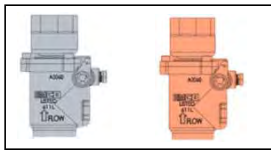

Part #	Description	List Price
SU-H72	3/4" Welded Stainless Coupling (installed)	\$62.85
SU-H73	1" Welded Stainless Coupling (Installed)	\$69.30
SU-H125	3/4" Welded Black Coupling- Powder Coated (installed)	\$55.89
SU-H126	1" Welded Black Coupling Powder Coated (Installed)	\$58.14

**Stabilizer Bar Rails and Stabilizer Bar installed**


Part #	Description	List Price
SU-SBA-17.5-SS	Stainless Unistrut Rails with Stainless Stabilizer Bar for standard Shear Valves (Installed)	\$339.15
SU-SBA-17.5-PC	Galvanized Unistrut Rails with Stainless Stabilizer Bar for standard Shear Valves all Powder Coated (installed)	\$190.53

**Shear Valve Options Installed**

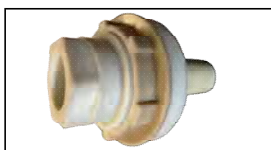

Part #	Description	List Price
SU-H70	Double Poppet Shear Valve 1 1/2" Stainless (Installed)	\$402.06
SU-H68	Double Poppet Shear Valve 1 1/2" Powder Coated (Installed)	\$273.15

**Piping Installed**

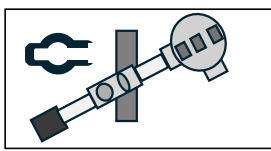

Part #	Description	List Price
SU-Piping-9153GXTW2-SS-SO	Piping for AtlasX Stainless Side Outlet (Installed)	\$256.68
SU-Piping-9153GXTW2-SS-EO	Piping for AtlasX Stainless End Outlet (Installed)	\$312.98
SU-Piping-9153GXTW2-PC-SO	Piping for AtlasX Powder Coated Side Outlet (Installed)	\$211.68
SU-Piping-9153GXTW2-PC-EO	Piping for AtlasX Powder Coated End Outlet (Installed)	\$267.98

**Fiberglass Penetration Fittings**


Part #	Description	List Price
PF-FGT-1.5FPTx2G	1 1/2" FPT Fiberglass Penetration Fitting with sanitary fitting to match piping. (Installed)	\$345.30
PF-FGT-2FPTx2G	2" FPT Fiberglass Penetration Fitting with sanitary fitting to match piping. (installed)	\$345.30

**Electrical Alarm Sensor Options**


Part #	Description	List Price
ES-EL-Kit	Electrical piping with Seal off, Unilet and sensor mounting Bracket (Installed) Sensor not included	\$597.81
ES-EL-208 Kit	Electrical piping with Seal off, Unilet and sensor mounting Bracket with VR 208 Sensor (Installed)	\$1,572.81

This Dispenser has two product Lines. Put a "1" or "2" in the appropriate boxes to get the correct List Price.  
 Note: on conduit couplings, put a check in all boxes requested.

**\$4,479.28**



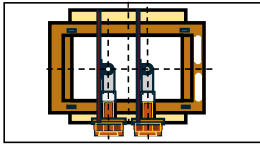


"Better by Design"

**UDC's for 9153GXTW2 Dispensers**  
**Below Grade Fiberglass UDC**  
 Same pricing for 8853G Dispensers

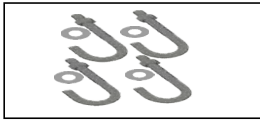


**Sump**



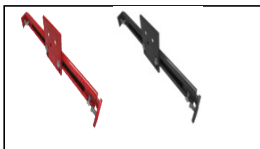
Part #	Description	List Price
ESA-BG	Below Grade Fiberglass Sump 32"Long 20"Wide 32"Deep with Frame, Rails for Stabilizer Bar, drain to Alarm Cup	\$1,537.67
ESA- BG-SS	Below Grade Fiberglass Sump 32"Long 20"Wide 32"Deep with SS Frame & SS Rails for Stabilizer Bar, drain to Alarm Cup	\$1,726.48

**J Bolt Kit**



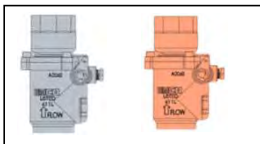
Part #	Description	List Price
SU-J Bolt-4	J Bolt Kit - 4 each 1/2" x 6" J Bolts Stainless	\$52.15
J Bolt Kits are shipped loose		

**Stabilizer Bar Rails and Stabilizer Bar installed**



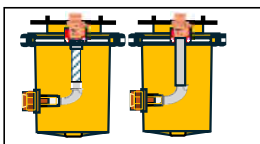
Part #	Description	List Price
SU-SBA-17.5-SS	Stainless Unistrut Rails with Stainless Stabilizer Bar for standard Shear Valves (Installed) (two Required)	\$339.15
SU-SBA-17.5-PC	Galvanized Unistrut Rails with Stainless Stabilizer Bar for Shear Valves all Powder Coated (installed) (two required)	\$190.53

**Shear Valve Options Installed**



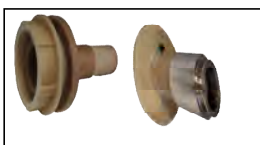
Part #	Description	List Price
SU-H70	Double Poppet Shear Valve 1 1/2" Stainless (Installed) (2 Required for this Dispenser Model)	\$402.06
SH-H68	Double Poppet Shear Valve 1 1/2" Powder Coated (Installed) (1 2 Required for this dispenser Model)	\$273.15

**Piping Installed**



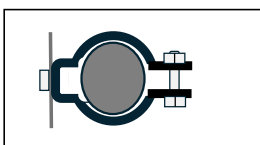
Part #	Description	List Price
SU-Piping-9153GXTW2-SS-BGF	Piping, SS for below grade sump with Flex Connector	\$391.95
SU-Piping-9153GXTW2-SS-BGH	Piping, SS for below grade sump hard piped	\$220.41
Note: All Piping components are stainless steel for either hard piped applications or for applications using a flex connector. (two lines required for this dispenser model)		

**Fiberglass Penetration Fittings**



Part #	Description	List Price
PF-FGT-3x2G	3" over 2" FPT Fiberglass Penetration Fitting with Air Test and drain, sanitary fitting to match piping. (Installed) (Two required for this dispenser model)	\$345.30

**Conduit Mounting Brackets**



Part #	Description	List Price
SU-CMB-1.1	Conduit Mounting Bracket for 3/4" Rigid Conduits Shipped Loose	\$30.00
SU-CMB-1.4	Conduit Mounting Bracket for 1" Rigid Conduits Shipped Loose	\$30.00

**Electrical Alarm Sensor Options**



Part #	Description	List Price
SU-SMK-2.5x1.9	Pipe Clamp Assembly for VR 208 Sensor (Installed)	\$75.00
ES-EL-208 Kit	Electrical piping with Seal off, Unilet and sensor mounting Bracket with VR 208 Sensor (Installed)	\$1,572.81

To calculate Total List Price put quantity desired in the box for the options requested.	<b>\$2,860.97</b>
--	-------------------

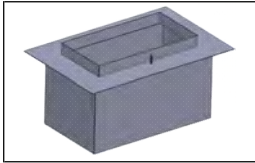


*"Better by Design"*

**UDC's for 9153GTW2 Dispensers**  
**Flush Mounted-Side Outlet or End Outlet**  
 Same pricing for 8853GTW2 Dispensers



**Flush Mounted**



Part #	Description	List Price
ESA-FM-SS	Flush Mounted Stainless No fittings or openings no rails for Stabilizer Bar	\$2,548.49
ESA-FM-PC	Flush Mounted Powder Coated No fittings or openings no rails for Stabilizer Bar	\$1,719.25

**Welded Couplings for Power or Alarm Wiring**



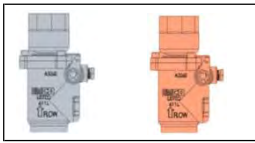
Part #	Description	List Price
SU-H72	3/4" Welded Stainless Coupling (installed)	\$62.85
SU-H73	1" Welded Stainless Coupling (Installed)	\$69.30
SU-H125	3/4" Welded Black Coupling- Powder Coated (installed)	\$55.89
SU-H126	1" Welded Black Coupling Powder Coated (Installed)	\$58.14

**Stabilizer Bar Rails and Stabilizer Bar installed**



Part #	Description	List Price
SU-SBA-17.5-SS	Stainless Unistrut Rails with Stainless Stabilizer Bar for standard Shear Valves (Installed)	\$339.15
SU-SBA-17.5-PC	Galvanized Unistrut Rails with Stainless Stabilizer Bar for standard Shear Valves all Powder Coated (installed)	\$190.53

**Shear Valve Options Installed**



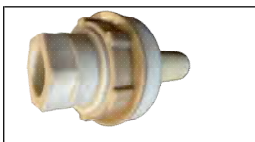
Part #	Description	List Price
SU-H70	Double Poppet Shear Valve 1 1/2" Stainless (Installed)	\$402.06
SU-H68	Double Poppet Shear Valve 1 1/2" Powder Coated (Installed)	\$273.15

**Piping Installed**



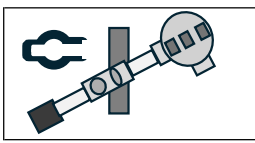
Part #	Description	List Price
SU-Piping-9153GTW2-SS-SO	Piping for AtlasX Stainless Side Outlet (Installed)	\$256.68
SU-Piping-9153GTW2-SS-EO	Piping for AtlasX Stainless End Outlet (Installed)	\$312.98
SU-Piping-9153GTW2-PC-SO	Piping for AtlasX Powder Coated Side Outlet (Installed)	\$211.68
SU-Piping-9153GTW2-PC-EO	Piping for AtlasX Powder Coated End Outlet (Installed)	\$267.98

**Fiberglass Penetration Fittings**



Part #	Description	List Price
PF-FGT-1.5FPTx2G	1 1/2" FPT Fiberglass Penetration Fitting with sanitary fitting to match piping. (Installed)	\$345.30
PF-FGT-2FPTx2G	2" FPT Fiberglass Penetration Fitting with sanitary fitting to match piping. (installed)	\$345.30

**Electrical Alarm Sensor Options**



Part #	Description	List Price
ES-EL-Kit	Electrical piping with Seal off, Unilet and sensor mounting Bracket (Installed) Sensor not included	\$597.81
ES-EL-208 Kit	Electrical piping with Seal off, Unilet and sensor mounting Bracket with VR 208 Sensor (Installed)	\$1,572.81

This Dispenser has two product Lines. Put a "1" or "2" in the appropriate boxes to get the correct List Price.  
 Note: on conduit couplings, put a check in all boxes requested.

**\$4,472.41**

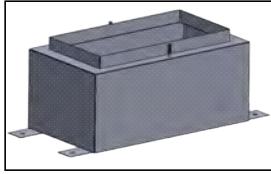


*"Better by Design"*

**UDC's for 9153GTW2 Dispensers**  
**Surface Mounted-Side Outlet or End Outlet**  
 Same pricing for 8853GTW2 Dispensers



**Flush Mounted**



Part #	Description	List Price
ESA-SM-SS	Surface Mounted Stainless No fittings or openings no rails for Stabilizer Bar	\$2,572.32
ESA-SM-PC	Surface Mounted Powder Coated No fittings or openings no rails for Stabilizer Bar	\$1,726.12

**Welded Couplings for Power or Alarm Wiring**



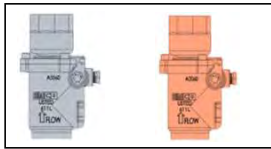
Part #	Description	List Price
SU-H72	3/4" Welded Stainless Coupling (installed)	\$62.85
SU-H73	1" Welded Stainless Coupling (Installed)	\$69.30
SU-H125	3/4" Welded Black Coupling- Powder Coated (installed)	\$55.89
SU-H126	1" Welded Black Coupling Powder Coated (Installed)	\$58.14

**Stabilizer Bar Rails and Stabilizer Bar installed**



Part #	Description	List Price
SU-SBA-17.5-SS	Stainless Unistrut Rails with Stainless Stabilizer Bar for standard Shear Valves (Installed)	\$339.15
SU-SBA-17.5-PC	Galvanized Unistrut Rails with Stainless Stabilizer Bar for standard Shear Valves all Powder Coated (installed)	\$190.53

**Shear Valve Options Installed**



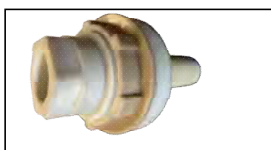
Part #	Description	List Price
SU-H70	Double Poppet Shear Valve 1 1/2" Stainless (Installed)	\$402.06
SU-H68	Double Poppet Shear Valve 1 1/2" Powder Coated (Installed)	\$273.15

**Piping Installed**



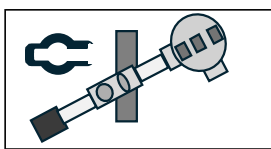
Part #	Description	List Price
SU-Piping-9153GTW2-SS-SO	Piping for AtlasX Stainless Side Outlet (Installed)	\$256.68
SU-Piping-9153GTW2-SS-EO	Piping for AtlasX Stainless End Outlet (Installed)	\$312.98
SU-Piping-9153GTW2-PC-SO	Piping for AtlasX Powder Coated Side Outlet (Installed)	\$211.68
SU-Piping-9153GTW2-PC-EO	Piping for AtlasX Powder Coated End Outlet (Installed)	\$267.98

**Fiberglass Penetration Fittings**



Part #	Description	List Price
PF-FGT-1.5FPTx2G	1 1/2" FPT Fiberglass Penetration Fitting with sanitary fitting to match piping. (Installed)	\$345.30
PF-FGT-2FPTx2G	2" FPT Fiberglass Penetration Fitting with sanitary fitting to match piping. (installed)	\$345.30

**Electrical Alarm Sensor Options**



Part #	Description	List Price
ES-EL-Kit	Electrical piping with Seal off, Unilet and sensor mounting Bracket (Installed) Sensor not included	\$597.81
ES-EL-208 Kit	Electrical piping with Seal off, Unilet and sensor mounting Bracket with VR 208 Sensor (Installed)	\$1,572.81

This Dispenser has two product Lines. Put a "1" or "2" in the appropriate boxes to get the correct List Price.  
 Note: on conduit couplings, put a check in all boxes requested.

**\$4,479.28**

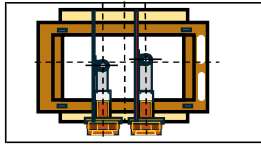


"Better by Design"

**UDC's for 9153GTW2 Dispensers**  
**Below Grade Fiberglass UDC**  
 Same pricing for 8853G Dispensers

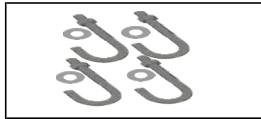


**Sump**



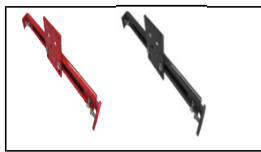
Part #	Description	List Price
ESA-BG	Below Grade Fiberglass Sump 32"Long 20"Wide 32"Deep with Frame, Rails for Stabilizer Bar, drain to Alarm Cup	\$1,537.67
ESA-BG-SS	Below Grade Fiberglass Sump 32"Long 20"Wide 32"Deep with SS Frame & SS Rails for Stabilizer Bar, drain to Alarm Cup	\$1,719.25

**J Bolt Kit**



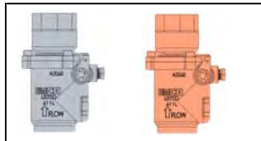
Part #	Description	List Price
SU-J Bolt-4	J Bolt Kit - 4 each 1/2" x 6" J Bolts Stainless	\$52.15
J Bolt Kits are shipped loose		

**Stabilizer Bar Rails and Stabilizer Bar installed**



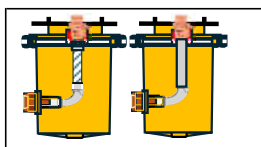
Part #	Description	List Price
SU-SBA-17.5-SS	Stainless Unistrut Rails with Stainless Stabilizer Bar for standard Shear Valves (Installed) (two Required)	\$339.15
SU-SBA-17.5-PC	Galvanized Unistrut Rails with Stainless Stabilizer Bar for Shear Valves all Powder Coated (installed) (two required)	\$190.53

**Shear Valve Options Installed**



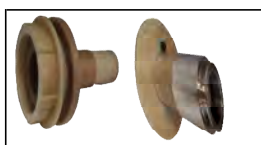
Part #	Description	List Price
SU-H70	Double Poppet Shear Valve 1 1/2" Stainless (Installed) (2 Required for this Dispenser Model)	\$402.06
SH-H68	Double Poppet Shear Valve 1 1/2" Powder Coated (Installed) (2 Required for this dispenser Model)	\$273.15

**Piping Installed**



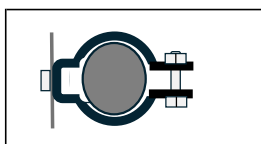
Part #	Description	List Price
SU-Piping-9153GTW2-SS-BGF	Piping, SS for below grade sump with Flex Connector	\$391.95
SU-Piping-9153GTW2-SS-BGH	Piping, SS for below grade sump hard piped	\$220.41
Note: All Piping components are stainless steel for either hard piped applications or for applications using a flex connector. (two lines required for this dispenser model)		

**Fiberglass Penetration Fittings**



Part #	Description	List Price
PF-FGT-3x2G	3" over 2" FPT Fiberglass Penetration Fitting with Air Test and drain, sanitary fitting to match piping. (Installed) (Two required for this dispenser model)	\$345.30

**Conduit Mounting Brackets**



Part #	Description	List Price
SU-CMB-1.1	Conduit Mounting Bracket for 3/4" Rigid Conduits Shipped Loose	\$30.00
SU-CMB-1.4	Conduit Mounting Bracket for 1" Rigid Conduits Shipped Loose	\$30.00

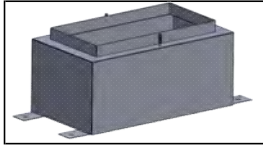
**Electrical Alarm Sensor Options**



Part #	Description	List Price
SU-SMK-2.5x1.9	Pipe Clamp Assembly for VR 208 Sensor (Installed)	\$75.00
ES-EL-208 Kit	Electrical piping with Seal off, Unilet and sensor mounting Bracket with VR 208 Sensor (Installed)	\$1,572.81

To calculate Total List Price put quantity desired in the box for the options requested.	<b>\$2,860.97</b>
--	-------------------

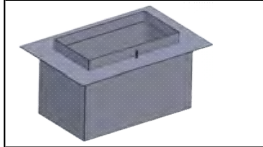
**Sump for Surface Mounting**



1

Part #	Description	List Price
ESA-9153G SM	Below Grade Fiberglass Sump 32" Long 20" Wide 32" Deep with Frame, Rails for Stabilizer Bar, drain to Alarm Cup	\$1,726.12
ESA-9153G SM-SS	Below Grade Fiberglass Sump 32" Long 20" Wide 32" Deep with SS Frame & SS Rails for Stabilizer Bar, drain to Alarm Cup	\$2,572.32

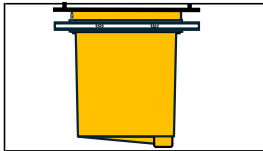
**Sump for Flush Mounting**



3

Part #	Description	List Price
ESA-9153G FM	Below Grade Fiberglass Sump 32" Long 20" Wide 32" Deep with Frame, Rails for Stabilizer Bar, drain to Alarm Cup	\$1,719.25
ESA-9153G FM-SS	Below Grade Fiberglass Sump 32" Long 20" Wide 32" Deep with SS Frame & SS Rails for Stabilizer Bar, drain to Alarm Cup	\$2,548.49

**Sump for Below Grade Mounting**



1

1

Part #	Description	List Price
ESA-9153G BG	Below Grade Fiberglass Sump 32" Long 20" Wide 32" Deep with Frame, Rails for Stabilizer Bar, drain to Alarm Cup	\$1,537.67
ESA-9153G BG-SS	Below Grade Fiberglass Sump 32" Long 20" Wide 32" Deep with SS Frame & SS Rails for Stabilizer Bar, drain to Alarm Cup	\$1,726.48

**Stabilizer Bar Assemblies**

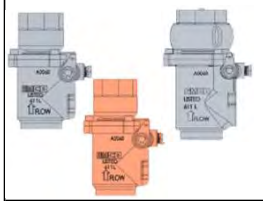


1

2

Part #	Description	List Price
SU-SBA-17.5-PCB	Galvanized Unistrut Rails with Stainless Stabilizer Bar for standard Shear Valves all Powder Coated (boxed)	\$101.50
SU-SBA-17.5-SSB	Stainless Unistrut Rails with Stainless Stabilizer Bar for standard Shear Valves (boxed)	\$160.00

**Shear Valve Options**

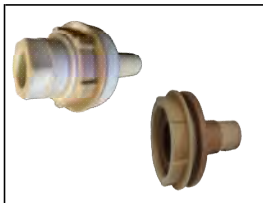


1

1

Part #	Description	List Price
SH-H68	Double Poppet Shear Valve 1 1/2" Powder Coated	\$165.60
SU-H70	Double Poppet Shear Valve 1 1/2" Stainless	\$251.54
SU-H71	Double Poppet Shear Valve 2" Stainless	\$494.82

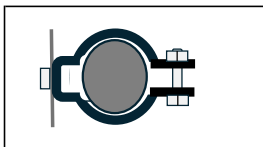
**Fiberglass Penetration Fittings**



1

Part #	Description	List Price
PF-FGT-1.5FPTx2G	1 1/2" FPT Fiberglass Penetration Fitting with sanitary fitting to match piping. For Surface & Flush Mtd Sumps	\$185.00
PF-FGT-2FPTx2G	2" FPT Fiberglass Penetration Fitting with sanitary fitting to match piping. For Surface & Flush Mtd Sumps	\$185.00
PF-FGT-3x2G	3" over 2" FPT Fiberglass Penetration Fitting with Air Test and drain, sanitary fitting to match piping. For Below Grade Sumps	\$180.00

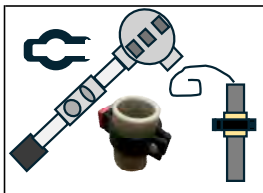
**Conduit Mounting Brackets**



1

Part #	Description	List Price
SU-CMB-1.1	Conduit Mounting Bracket for 3/4" Rigid Conduits Shipped Loose	\$30.00
SU-CMB-1.4	Conduit Mounting Bracket for 1" Rigid Conduits Shipped Loose	\$30.00

**Alarm Sensors & Mounting Brackets**



1

1

Part #	Description	List Price
ES-EL-Kit	Electrical piping with Seal off, Unilet and sensor mounting Bracket for Surface & Flush Mtd Sumps.	\$597.81
SU-SMK-2.5x1.9	Pipe Clamp Assembly for VR 208 Sensor for Below Grade Sumps	\$75.00
ES-EL-208 Kit	Electrical piping with Seal off, Unilet and sensor mounting Bracket with VR 208 Sensor for Surface & Flush Mounted Sumps	\$1,572.81

To calculate Total List Price put quantity desired in the box for the options requested.

\$13,092.75

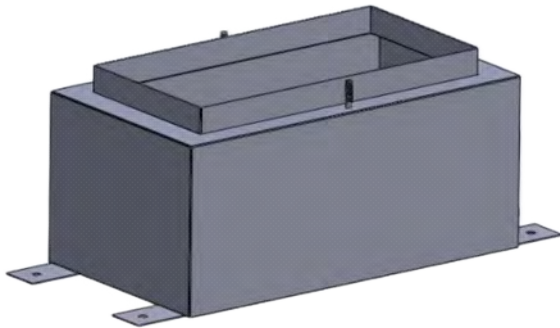
### AtlasX Surface Mounted Under Dispenser Containment

#### Technical Data Sheet

Since the introduction of EPA driven regulatory activities in 1988, contractors have been buying components to comply with these regulations. Multiple manufacturers offered products and contractors had to sort out all dimensional issues, compatibility between manufacturers and had to have complex estimating procedures. Diversified has now solved these and other problems with the introduction of our Engineered UDC Systems for the Gasboy AtlasX series of Dispensers.

All components are either UL Listed or third party approved for their respective applications.

The AtlasX Surface Mounted UDC's feature 12 gauge Stainless or powder coated Steel. The UDC's are specifically designed for the AtlasX 8853G and 9153G series of Dispensers



These sumps are available in stand alone units for contractor fabrication or are available in a factory manufactured complete units.

All internal piping components may be removed and replaced using quick release sanitary fittings.

Available in side outlet or end outlet configurations.

Manufactured units are available with 1 1/2" powder coated or stainless shear valves or 2" stainless shear valves.

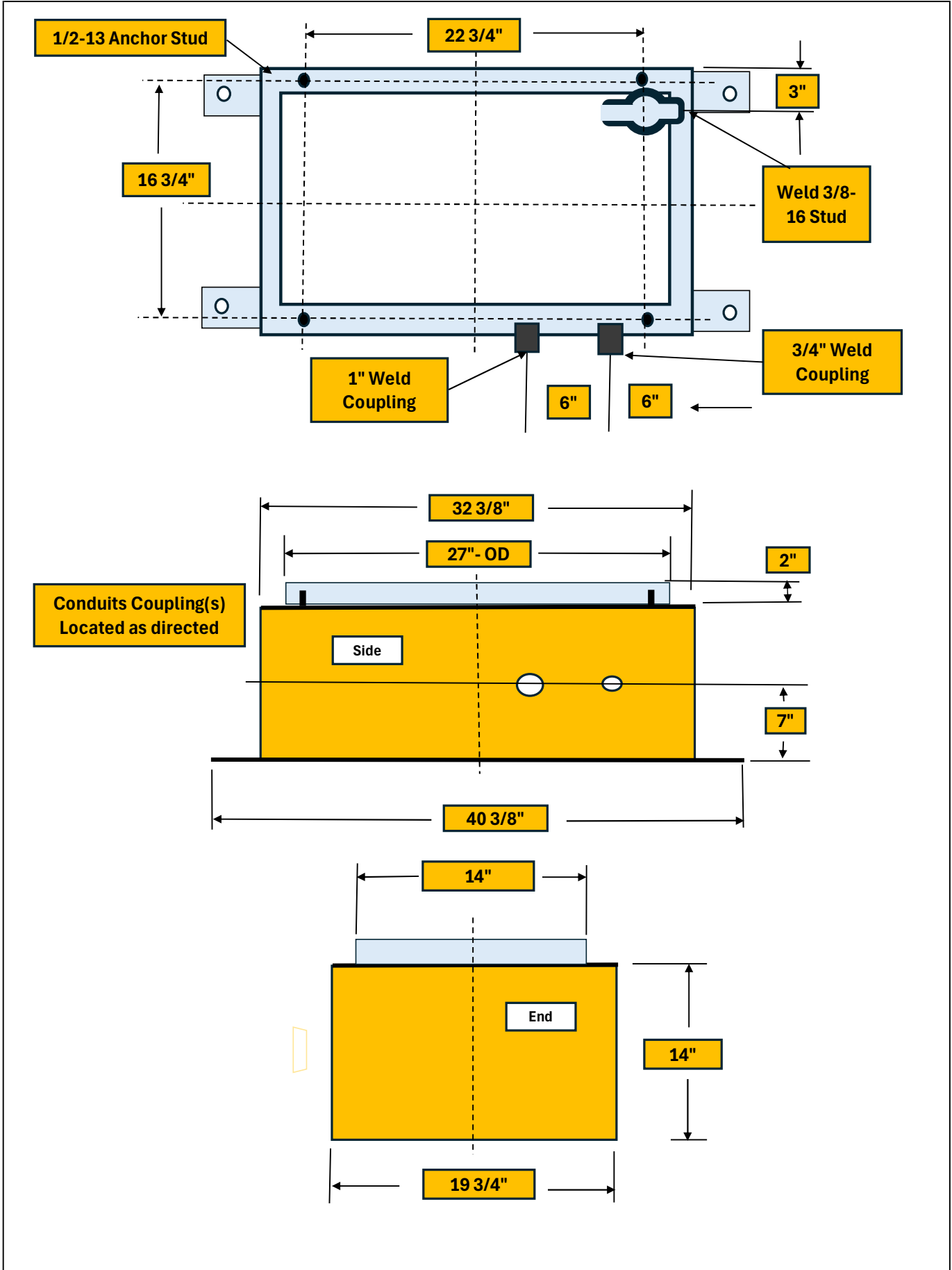
Manufactured sumps are available with stainless rails, stabilizer bar, piping and shear valve or in a powder coated option.

Factory piping is designed to mate to the dispenser piping eliminating the need for offsets.

Optional alarm sensor brackets are available installed in the UDC. The factory will install, as an option, the alarm sensor specified.

#### Third Party Approvals







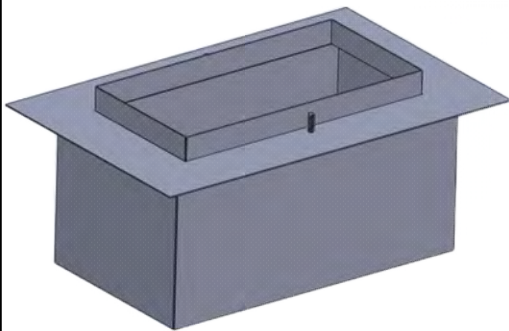
# AtlasX Flush Mounted Under Dispenser Containment

## Technical Data Sheet

Since the introduction of EPA driven regulatory activities in 1988, contractors have been buying components to comply with these regulations. Multiple manufacturers offered products and contractors had to sort out all dimensional issues, compatibility between manufacturers and had to have complex estimating procedures. Diversified has now solved these and other problems with the introduction of our Engineered UDC Systems for the Gasboy AtlasX series of Dispensers.

All components are either UL Listed or third party approved for their respective applications.

The AtlasX Flush Mounted UDC's feature 12 gauge Stainless or powder coated Steel. The UDC's are specifically designed for the AtlasX 8853G and 9153G series of Dispensers



These sumps are available in stand alone units for contractor fabrication or are available in a factory manufactured complete units.

All internal piping components may be removed and replaced using quick release sanitary fittings.

Available in side outlet or end outlet configurations.

Manufactured units are available with 1 1/2" powder coated or stainless shear valves or 2" stainless shear valves.

Manufactured sumps are available with stainless rails, stabilizer bar, piping and shear valve or in a powder coated option.

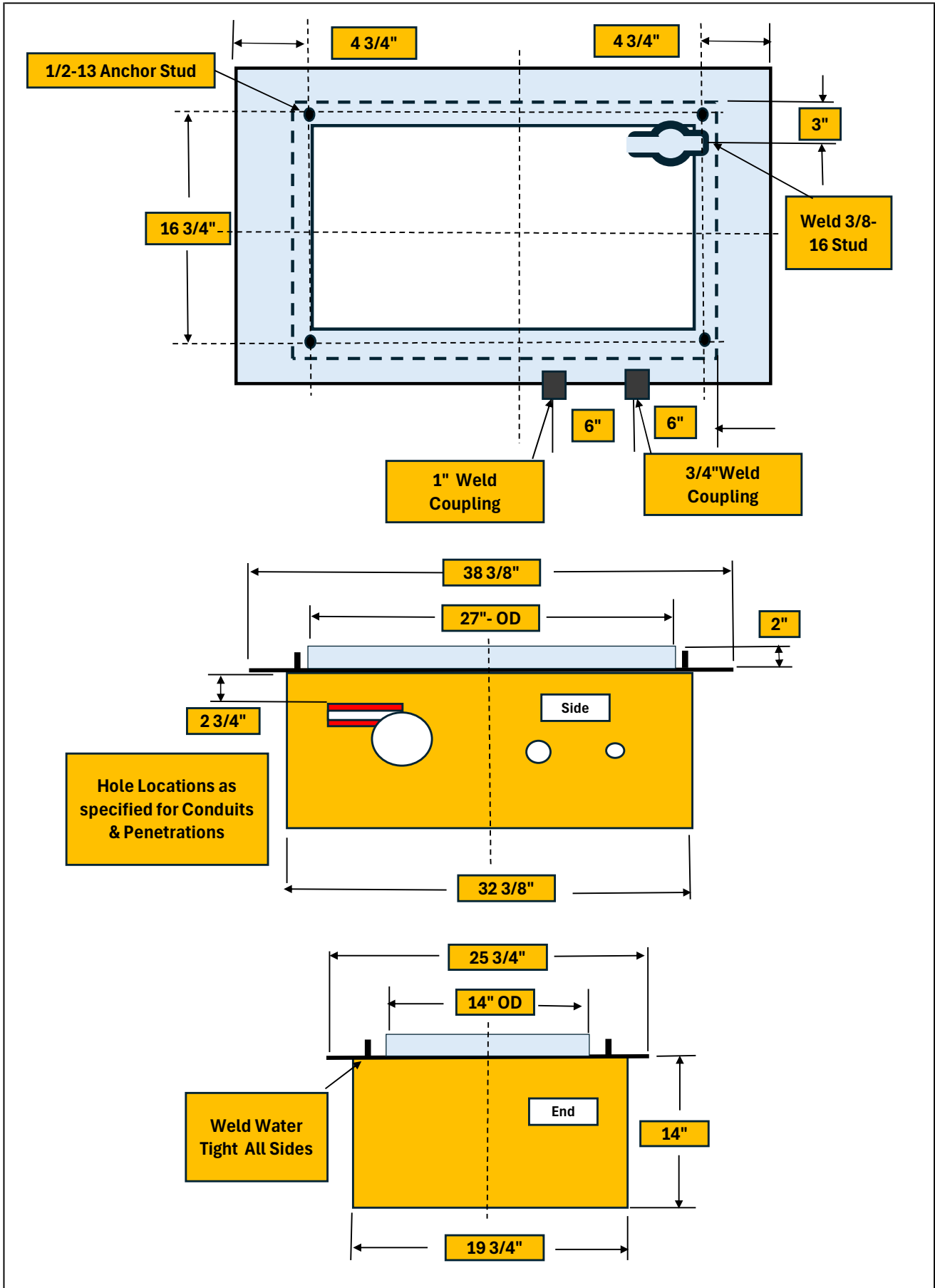
Factory piping is designed to mate to the dispenser piping eliminating the need for offsets.

Optional alarm sensor brackets are available installed in the UDC. The factory will install, as an option, the alarm sensor specified.

### Third Party Approvals









TOC



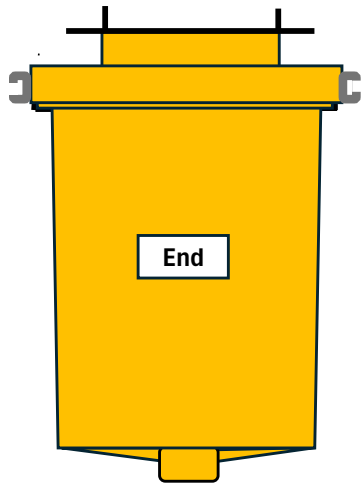
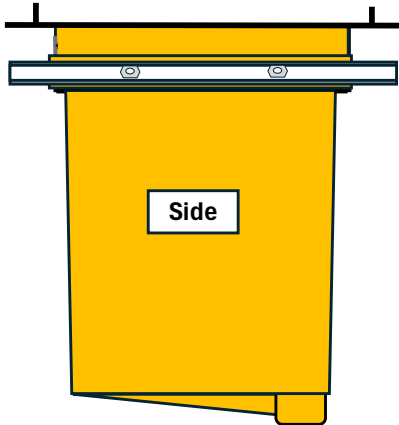
Contact Us

## "Better By Design"

### AtlasX Below Grade Under Dispenser Containment

#### Technical Data Sheet

Since the introduction of EPA driven regulatory activities in 1988, contractors have been buying components to comply with these regulations. Multiple manufacturers offered products and contractors had to sort out all dimensional issues, compatibility between manufacturers and had to have complex estimating procedures. Diversified has now solved these and other problems with the introduction of our Engineered UDC Systems for the Gasboy AtlasX series of Dispensers. These sumps may be ordered Dri Sump compatible.



All components are either UL Listed or third party approved for their respective applications.

The AtlasX below grade UDC's feature Fiberglass Sumps and Frames. The UDC's are specifically designed for the AtlasX 8853G and 9153G series of Dispensers

These sumps are available in stand alone for contractor fabrication or are available in a factory manufactured complete units.

All internal piping components may be removed and replaced using quick release sanitary fittings.

These sumps are available in single wall or double wall configurations.

Manufactured units are available with 1 1/2" powder coated or stainless shear valves or 2" Stainless shear valves.

Manufactured sumps are available with stainless rails, stabilizer bar, piping and shear valve or in a powder coated option.

Manufactured systems are available in a hard piped or flex connector configurations.

Fiberglass UDC's feature sloping floors to a drain cup for early alarm of fluids and easy mounting kits for the sensor provided.

Factory piping is designed to mate to the dispenser piping eliminating the need for offsets.

#### Third Party Approvals



EQ-742 EQ-801 EQ-836



THIRD-PARTY UL 2647

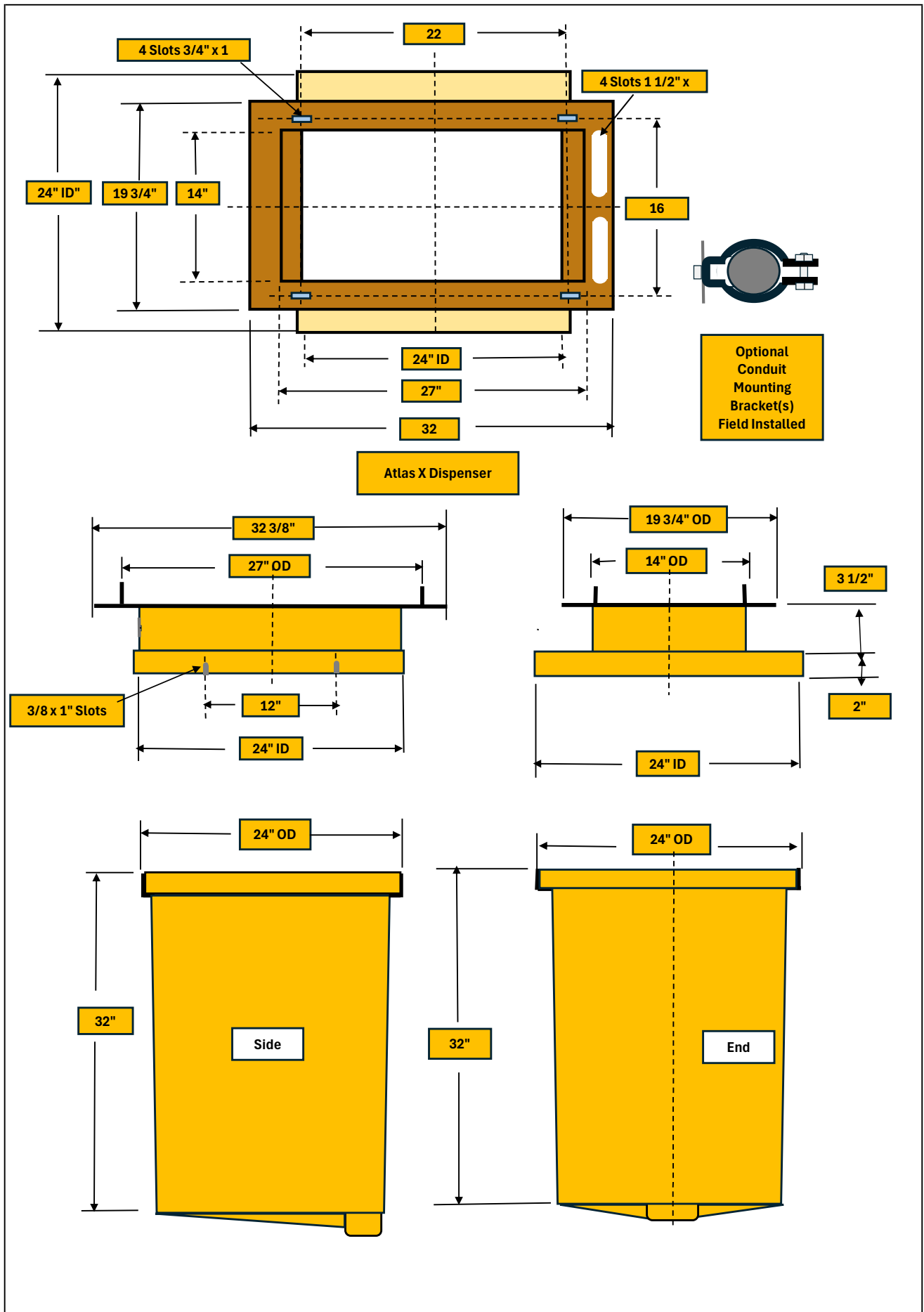


Diversified Products Manufacturing

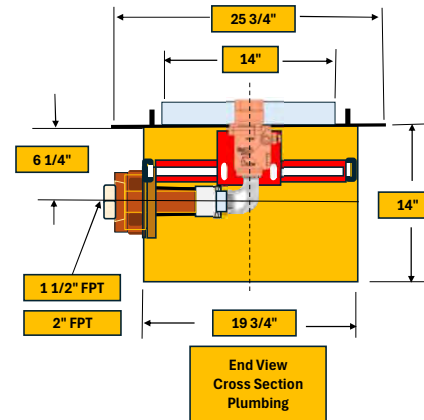
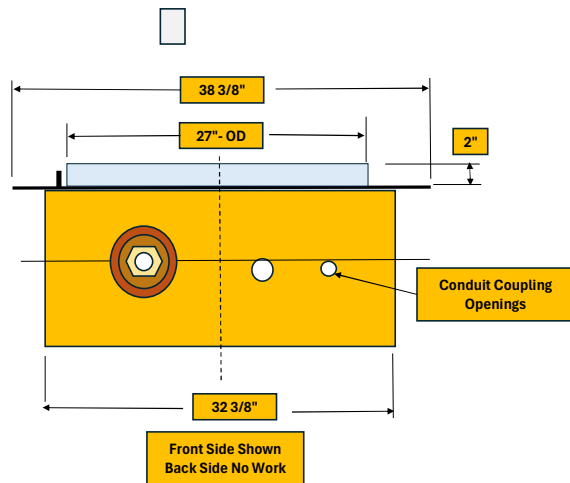
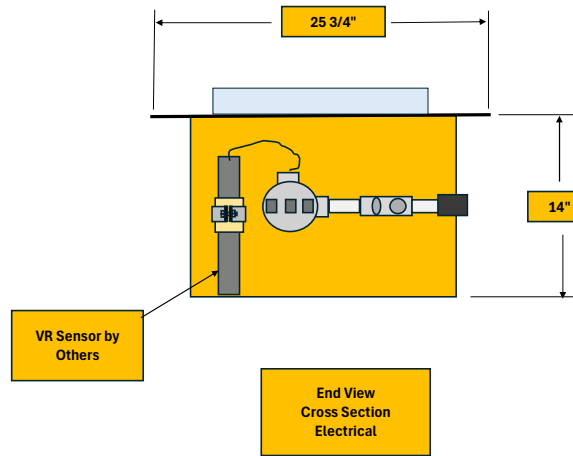
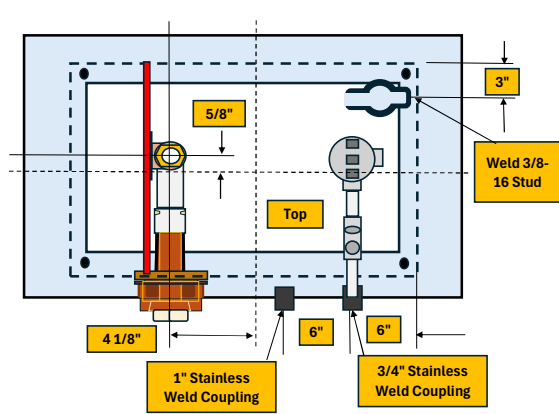
5523 Baggett Marysville Road Oroville CA 95965

530-534-3966 - www.dpm-co.com - Order Entry Email: sales@dpm-llc.com





Description	Parts List	Qty	Product Number
AtlasX 8853G & 9153G Flush Mtd UDC		1	ESA-FM-SS



- Options
- Powder Coated Steel Sump
  - 2" Penetration Fitting
  - Stainless Shear Valve
  - Alarm Sensor by DPM

Material: 12 Gauge 304 Stainless Steel

This Layout is for the AtlasX 8853G  
or AtlasX 9153G Dispensers  
Side Outlet Configuration

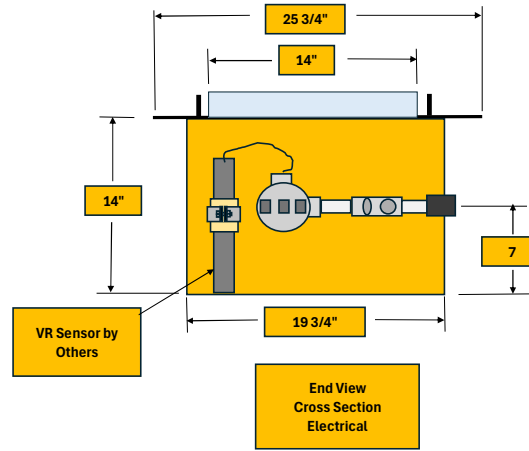
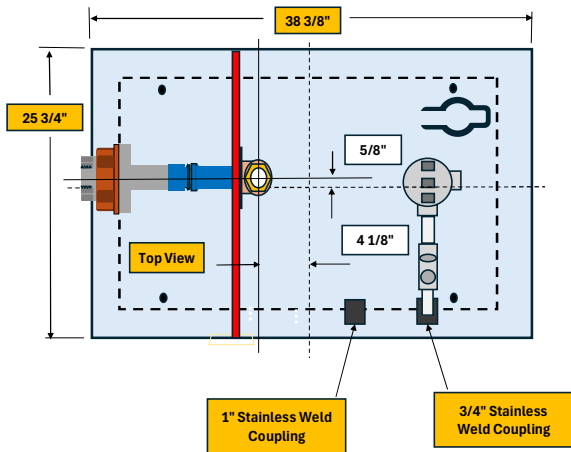
**Diversified Products Manufacturing Inc**

AtlasX 8800 & 9100 - Flush Mounted - Under Dispenser Containment

Revision: New  
By: jwr  
Date: 7.14.2024

Graphics

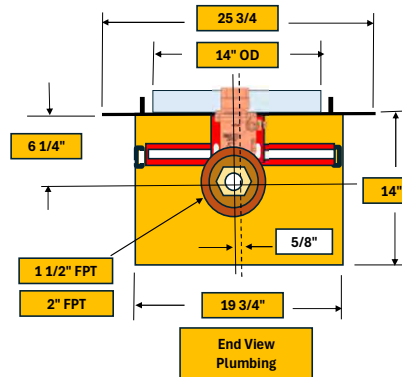
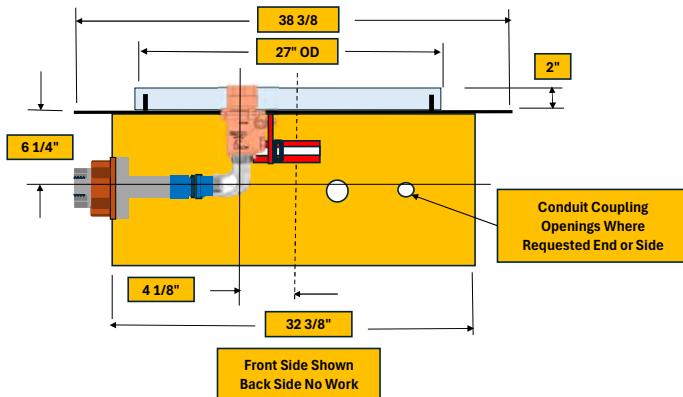




Description	Parts List Qty	Product Number
AtlasX 8853 or 9153 Flush Mtd UDC	1	ESA-FM-SS

**Options**

- Powder Coated Steel Sump
- 2" Penetration Fitting
- Stainless Shear Valve
- Alarm Sensor by DPM



Material: 12 Gauge 304 Stainless Steel

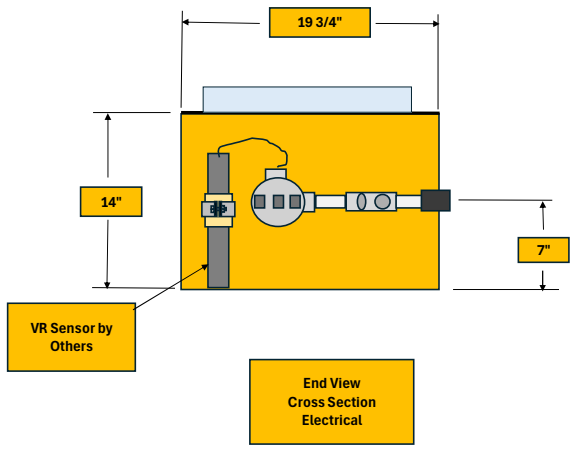
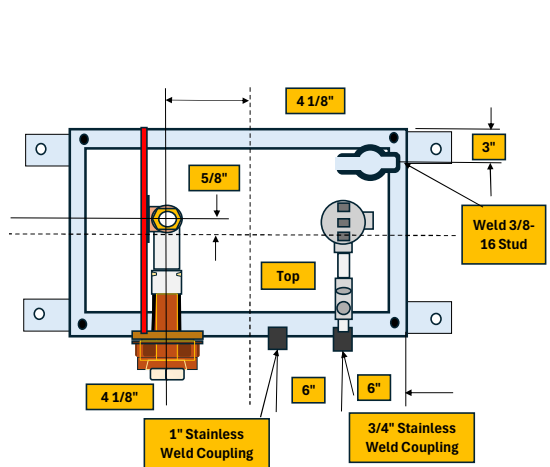
This Layout is for the AtlasX 8853G  
or AtlasX 9153G Dispensers  
End Outlet Configuration

**Diversified Products Manufacturing Inc**  
AtlasX 8800 & 9100 - Flush Mounted - Under Dispenser Containment

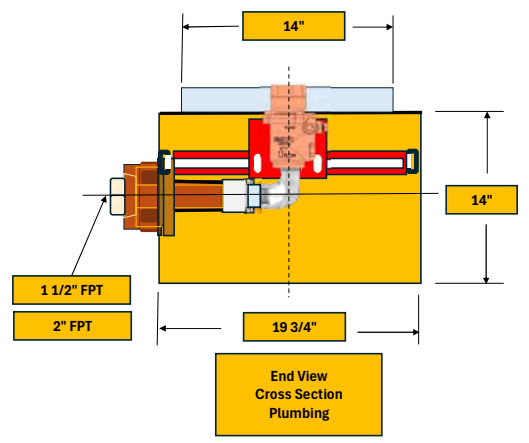
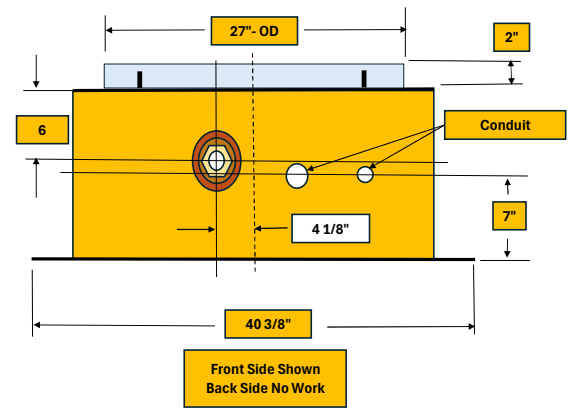
Revision: New  
By: jwr  
Date: 7.14.2024

Graphics 

Description	Parts List Qty	Product Number
AtlasX 8853 or 9153 Surface Mtd UDC	1	ESA SM SS



- Options
- Powder Coated Steel Sump
  - 2" Penetration Fitting
  - Stainless Shear Valve
  - Alarm Sensor by DPM



Material: 12 Gauge 304 Stainless Steel

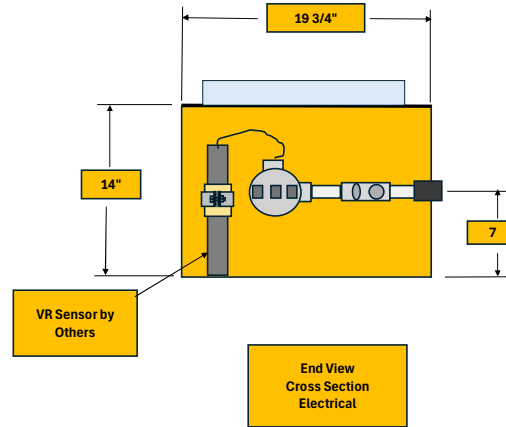
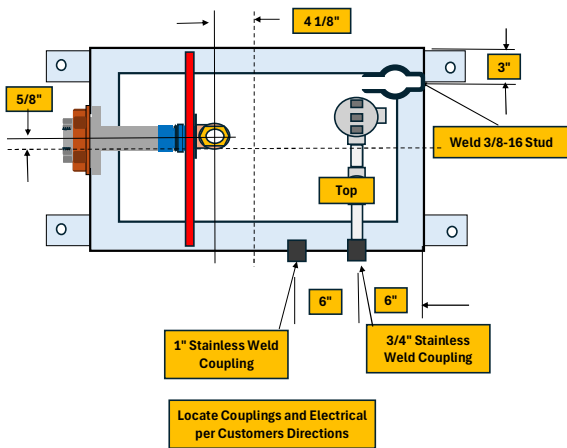
This Layout is for the AtlasX 8853G or AtlasX 9153G Dispensers Side Outlet Configuration

**Diversified Products Manufacturing Inc**  
 AtlasX 8800 & 9100 - Surface Mounted - Under Dispenser Containment

Revision: New  
 By: jwr  
 Date: 7.14.2024

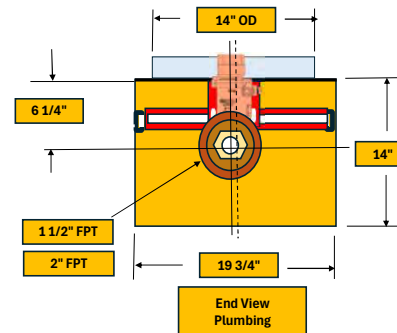
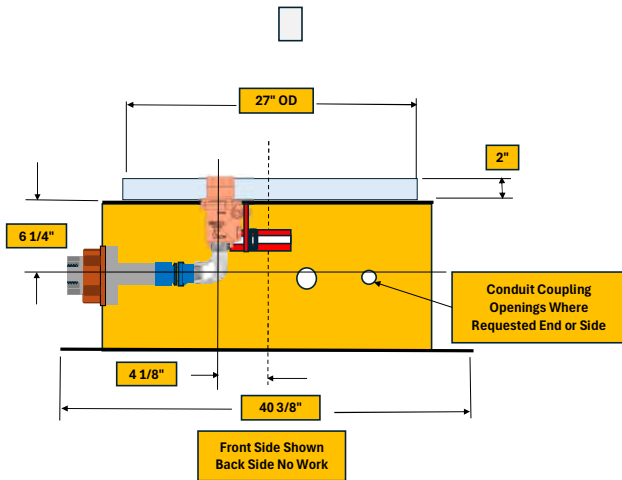
Graphics

		Parts List	
Description		Qty	Product Number
AtlasX 8853 or 9153 Surface Mtd UDC		1	ESA SM SS



Options

Powder Coated Steel Sump	<input type="checkbox"/>
2" Penetration Fitting	<input type="checkbox"/>
Stainless Shear Valve	<input type="checkbox"/>
Alarm Sensor by DPM	<input type="checkbox"/>



Material: 12 Gauge 304 Stainless Steel

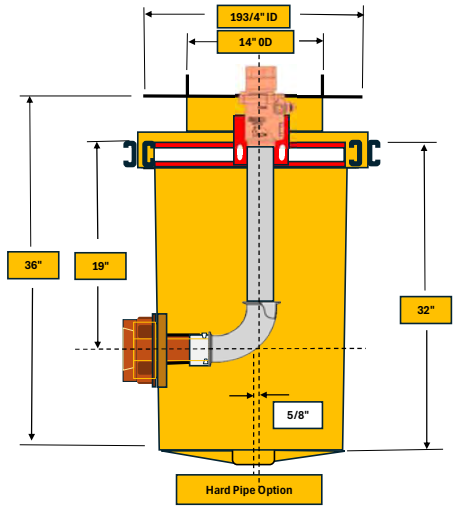
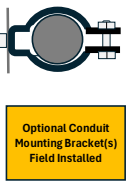
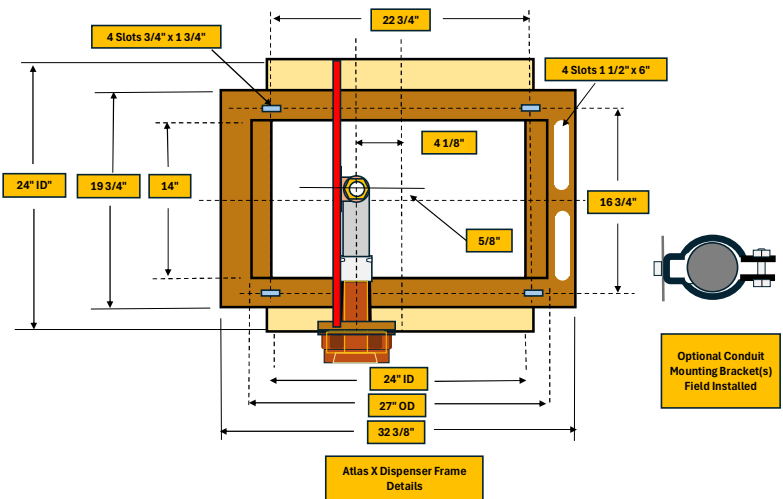
This Layout is for the AtlasX 8853G  
or AtlasX 9153G Dispensers  
End Outlet Configuration

**Diversified Products Manufacturing Inc**  
AtlasX 8800 & 9100 - Surface Mounted - Under Dispenser Containment

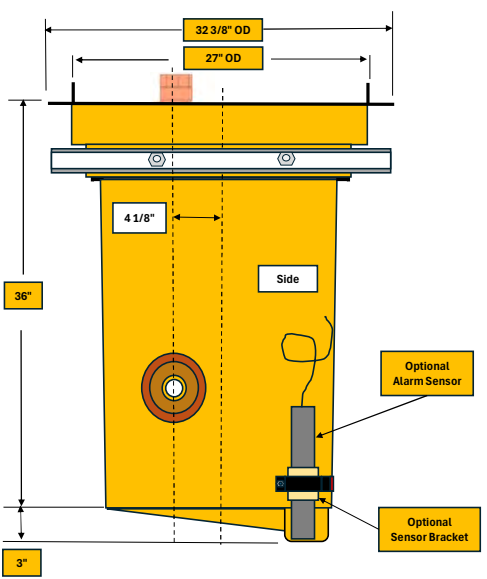
Revision: New  
By: jwr  
Date: 7.14.2024

Graphics 

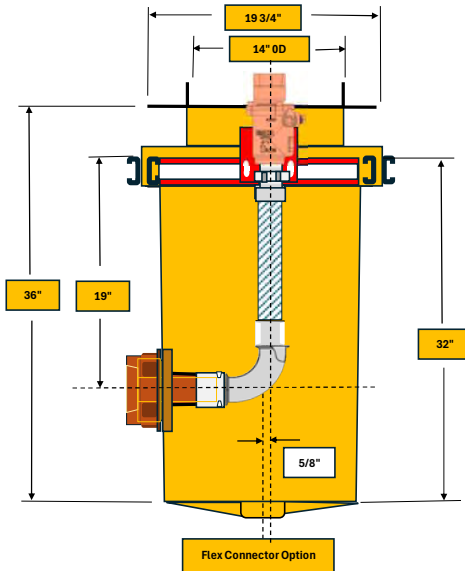
Description	Parts List	Qty	Product Number
AtlasX 8853G or 9153G Below Grade UDC		1	ESA BG



- Options
- Stainless Shear Valve
  - Alarm Sensor by DPM
  - Sensor Bracket Installed by DPM
  - Hard Pipe in Lieu of Flex Connector
  - 3/4" & 1" Rigid Conduit Mounting Brackets




Material: Virgin Fiberglass 1/4" Wall Standard - Isophthalic Resin



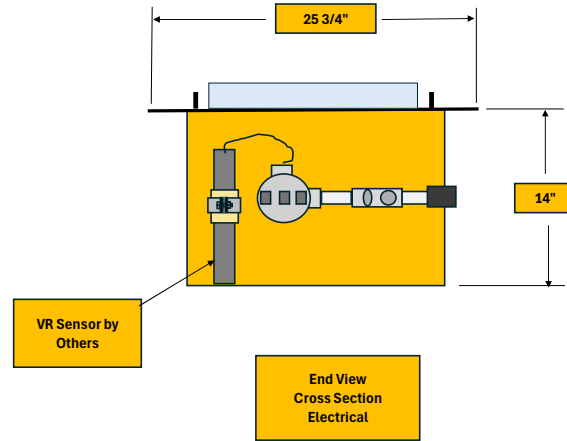
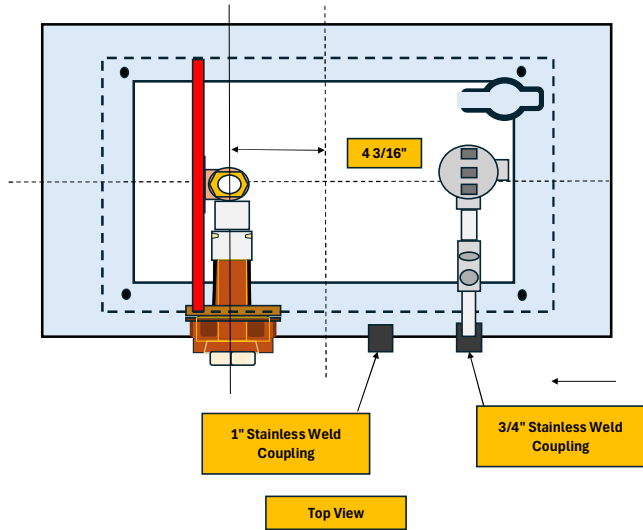
This Layout is for the AtlasX 8853G or AtlasX 9153G Dispensers Below Grade UDC

<b>Diversified Products Manufacturing Inc</b>	
AtlasX 8800 & 9100 - Below Grade - Under Dispenser Containment	
Revision:	New
By:	jwr
Date:	8.14.2024

**Graphics** 

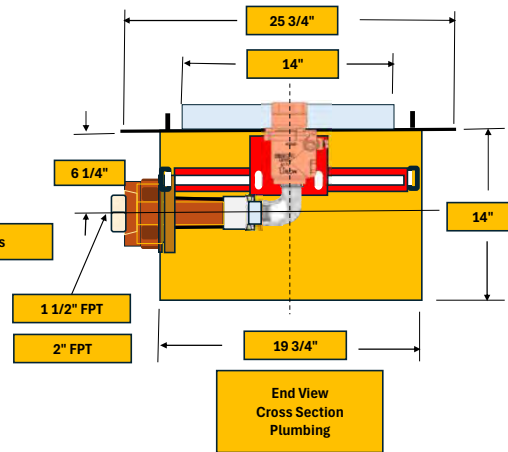
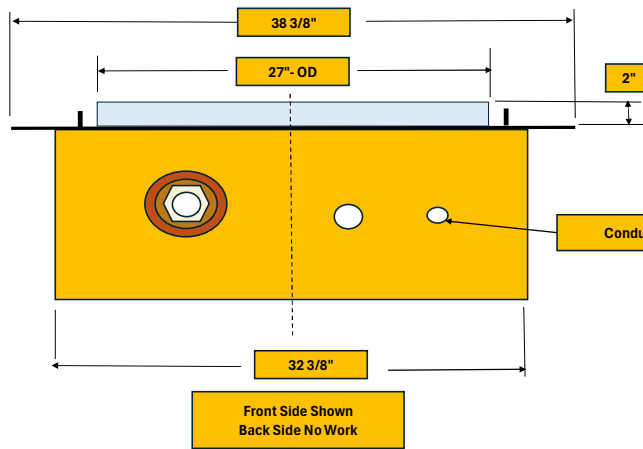


Description	Parts List Qty	Product Number
AtlasX 8853G & 9153G Flush Mtd UDC	1	ESA FM SS



Options

Powder Coated Steel Sump	<input type="checkbox"/>
2" Penetration Fitting	<input type="checkbox"/>
Stainless Shear Valve	<input type="checkbox"/>
Alarm Sensor by DPM	<input type="checkbox"/>



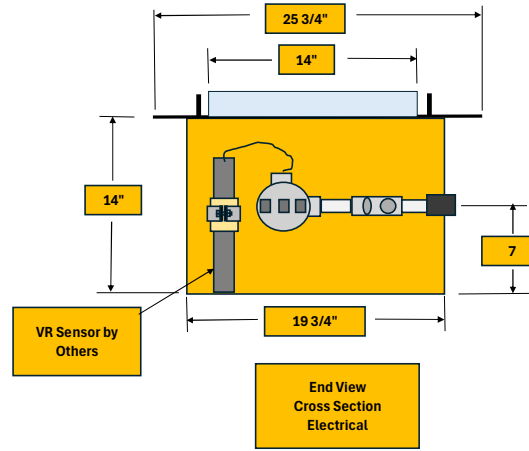
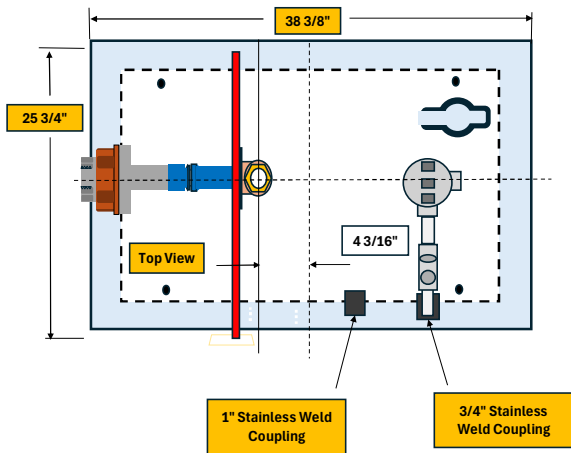
Material: 12 Gauge 304 Stainless Steel

This Layout is for the AtlasX 8853GXor 9153GX Dispensers  
 And Atlas X 8853GXTW1or 9153GXTW1 Dispensers  
 Side Outlet Configuration

**Diversified Products Manufacturing Inc**  
 AtlasX 8800 & 9100 - Flush Mounted - Under Dispenser Containment

Revision: New  
 By: jwr  
 Date: 7.14.2024

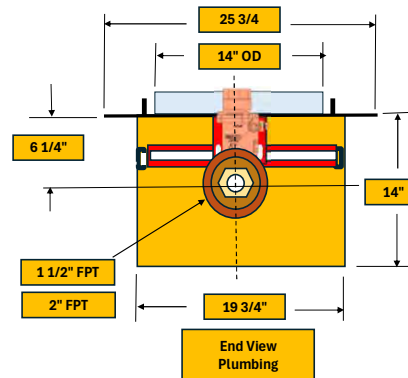
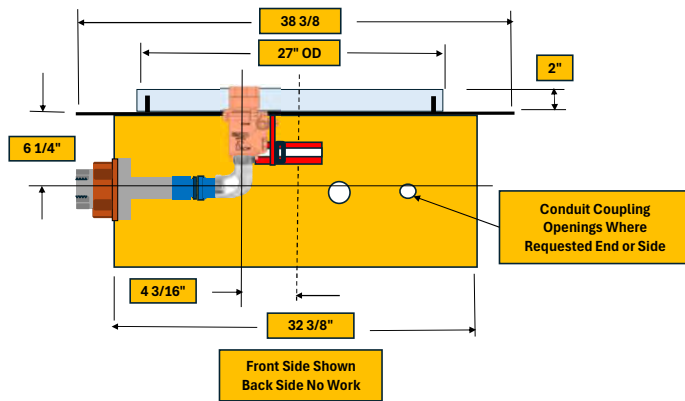
Graphics 



Description	Parts List Qty	Product Number
AtlasX 8853 or 9153 Flush Mtd UDC	1	ESA FM SS

**Options**

- Powder Coated Steel Sump
- 2" Penetration Fitting
- Stainless Shear Valve
- Alarm Sensor by DPM



Material: 12 Gauge 304 Stainless Steel

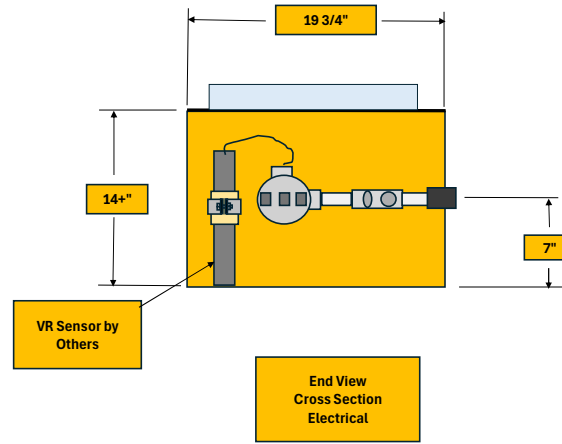
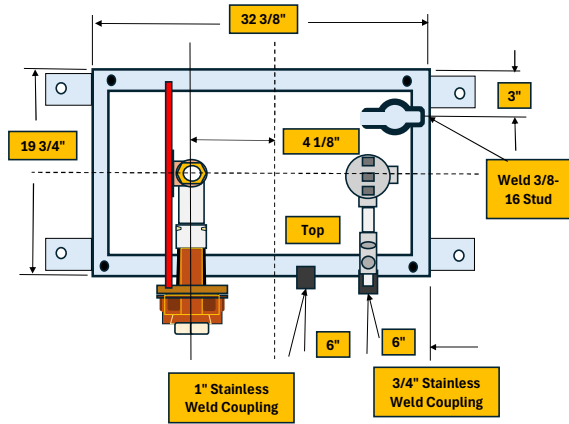
This Layout is for the AtlasX 8853GXor 9153GX Dispensers  
 And Atlas X 8853GXTW1or 9153GXTW1 Dispensers  
 End Outlet Configuration

**Diversified Products Manufacturing Inc**  
 AtlasX 8800 & 9100 - Flush Mounted - Under Dispenser Containment

Revision: New  
 By: jwr  
 Date: 7.14.2024

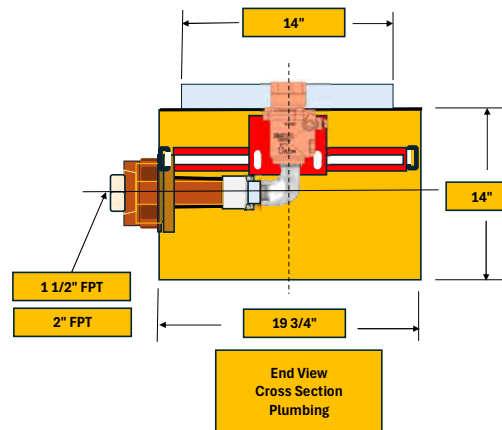
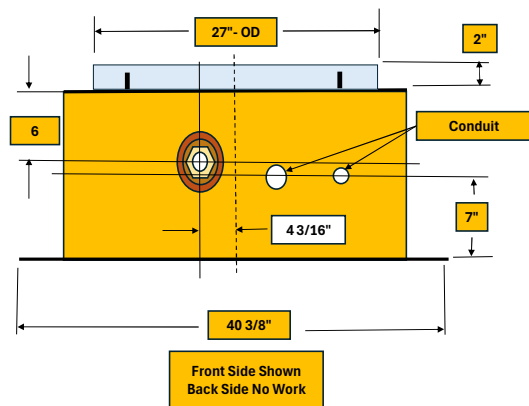
Graphics 

		Parts List	
Description	Qty		Product Number
AtlasX 8853 or 9153 Surface Mtd UDC	1		ESA SM SS



**Options**

- Powder Coated Steel Sump
- 2" Penetration Fitting
- Stainless Shear Valve
- Alarm Sensor by DPM



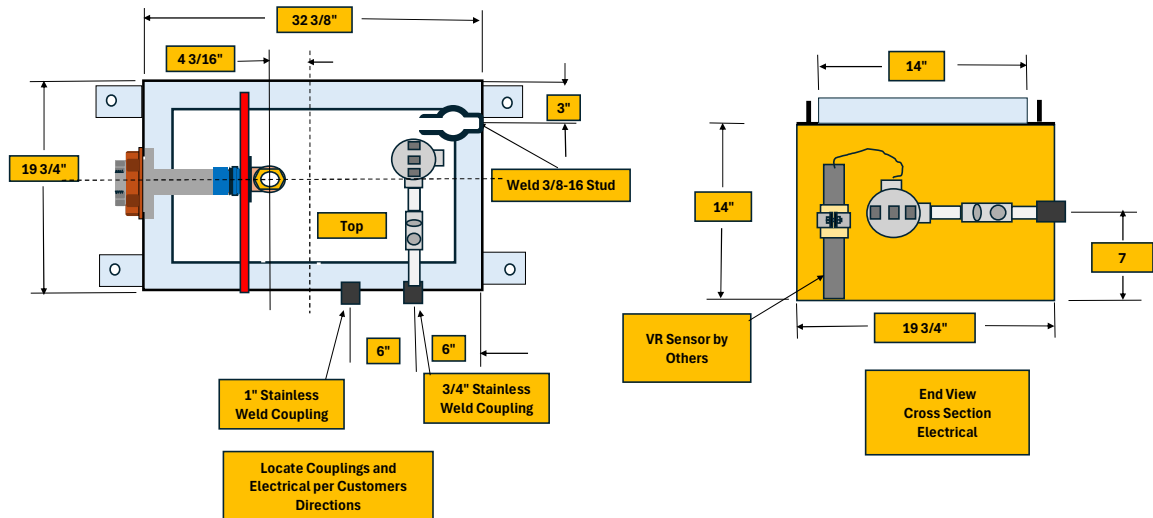
Material: 12 Gauge 304 Stainless Steel

This Layout is for the AtlasX 8853Gx or 9153GX Dispensers  
 And Atlas X 8853GXTW1 or 9153GXTW1 Dispensers  
 Side Outlet Configuration

**Diversified Products Manufacturing Inc**  
 AtlasX 8800 & 9100 - Surface Mounted - Under Dispenser Containment

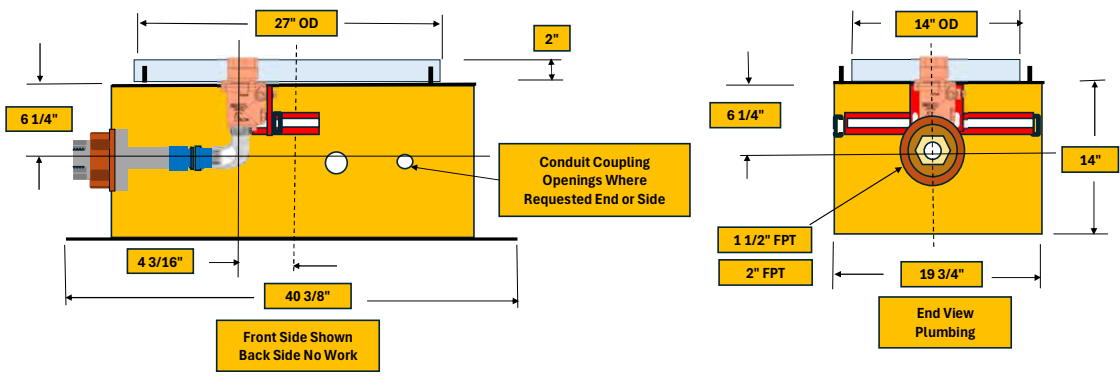
Revision: New  
 By: jwr  
 Date: 7.14.2024

Graphics 



Description	Parts List Qty	Product Number
AtlasX 8853 or 9153 Surface Mtd UDC	1	ESA-SM-SS

- Options
- Powder Coated Steel Sump
  - 2" Penetration Fitting
  - Stainless Shear Valve
  - Alarm Sensor by DPM




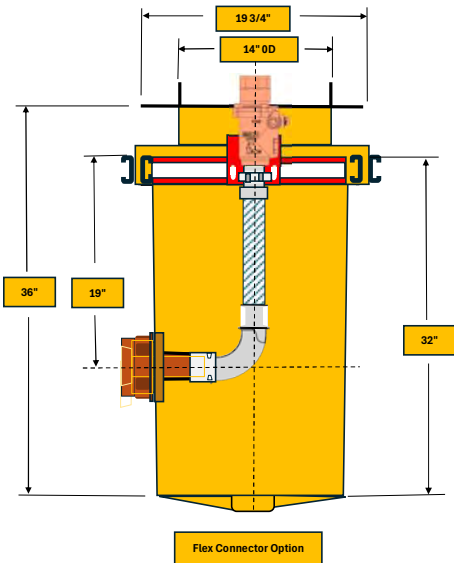
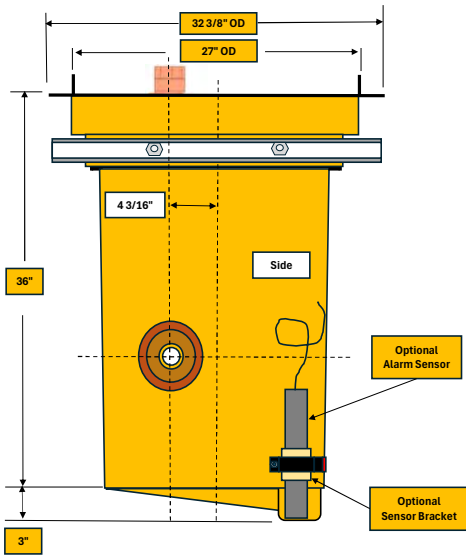
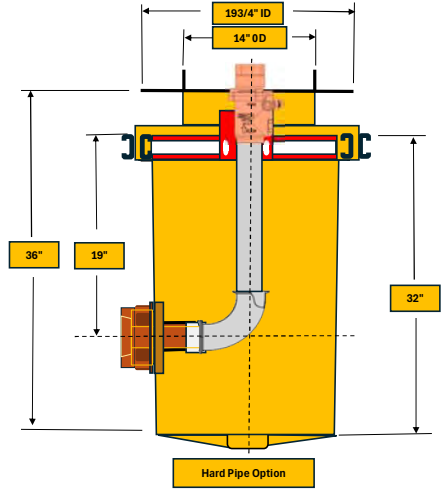
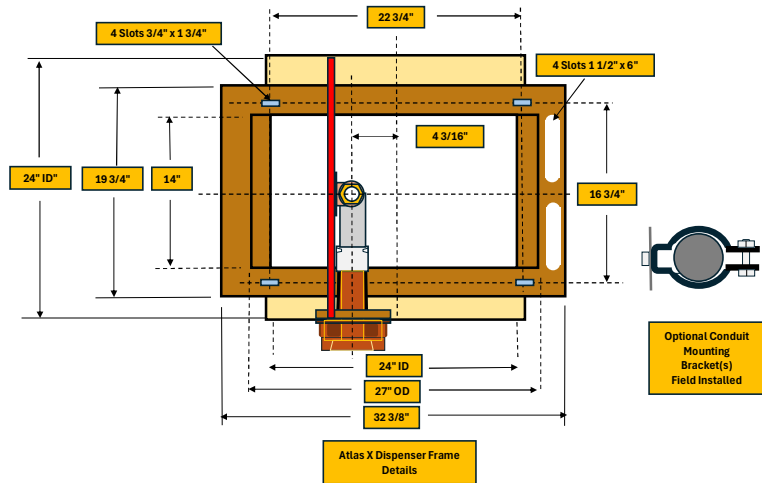
Material: 12 Gauge 304 Stainless Steel

This Layout is for the AtlasX 8853G or 9153GX Dispensers  
 And AtlasX 8853GXTW1 or 9153GXTW1 Dispensers  
 End Outlet Configuration

**Diversified Products Manufacturing Inc**  
 AtlasX 8800 & 9100 - Surface Mounted - Under Dispenser Containment

Revision: New  
 By: jwr  
 Date: 7.23.2024

Graphics 



Material: Virgin Fiberglass 1/4" Wall Standard - Isophthalic Resin

Description	Parts List	Qty	Product Number
AtlasX 8853G or 9153G Below Grade UDC		1	ESA BG

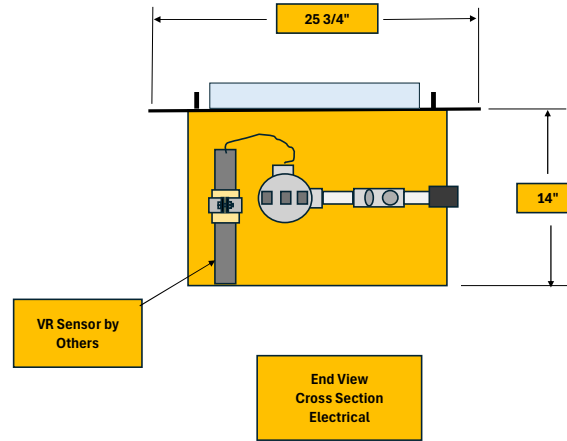
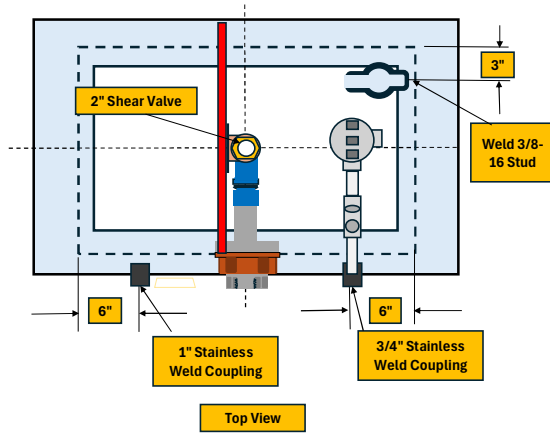
- Options
- Stainless Shear Valve
  - Alarm Sensor by DPM
  - Sensor Bracket Installed by DPM
  - Hard Pipe in Lieu of Flex Connector
  - 3/4" & 1" Rigid Conduit Mounting Brackets

This Layout is for the AtlasX 8853GXTW1 or AtlasX 9153GXTW1 Dispensers Below Grade UDC

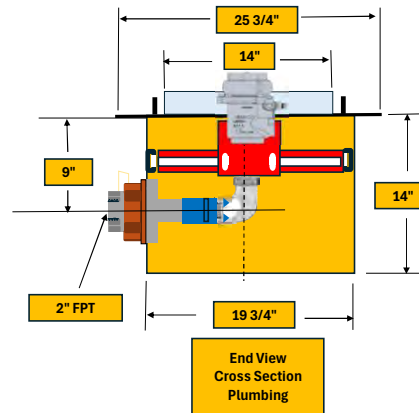
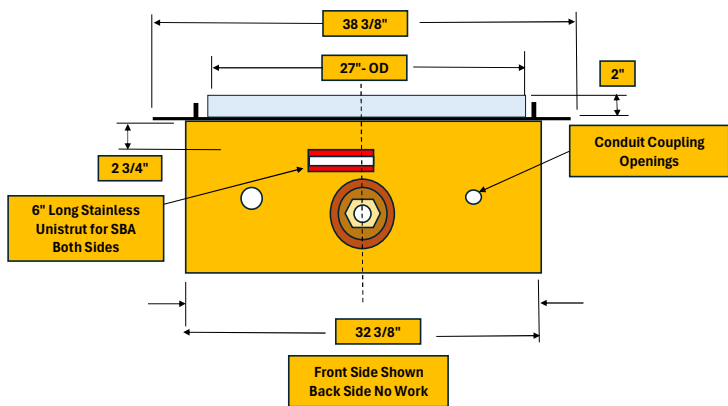
<b>Diversified Products Manufacturing Inc</b>	
AtlasX 8800 & 9100 - Below Grade - Under Dispenser Containment	
Revision:	New
By:	jwr
Date:	8.14.2024

 Graphics

Description	Parts List Qty	Product Number
AtlasX 8853 or 9153 Flush Mtd UDC	1	ESA FM SS



- Options
- Powder Coated Steel Sump
  - Alarm Sensor by DPM



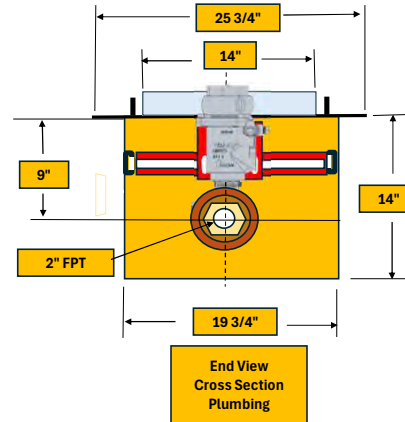
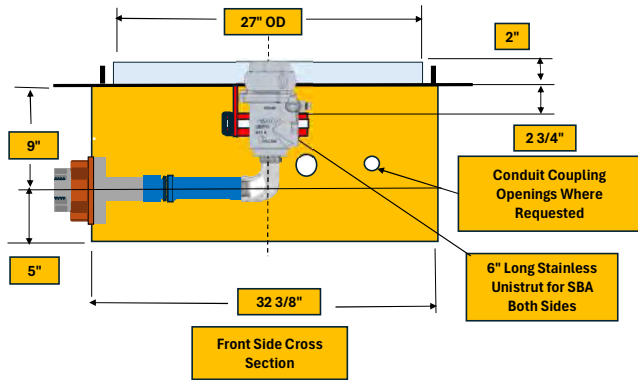
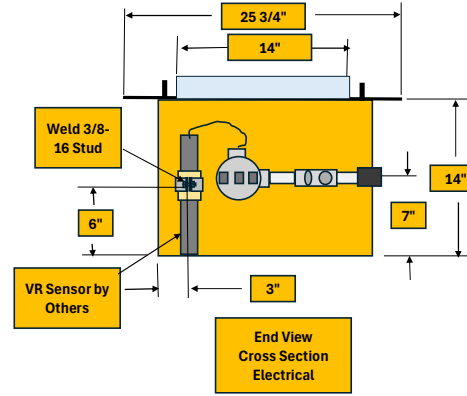
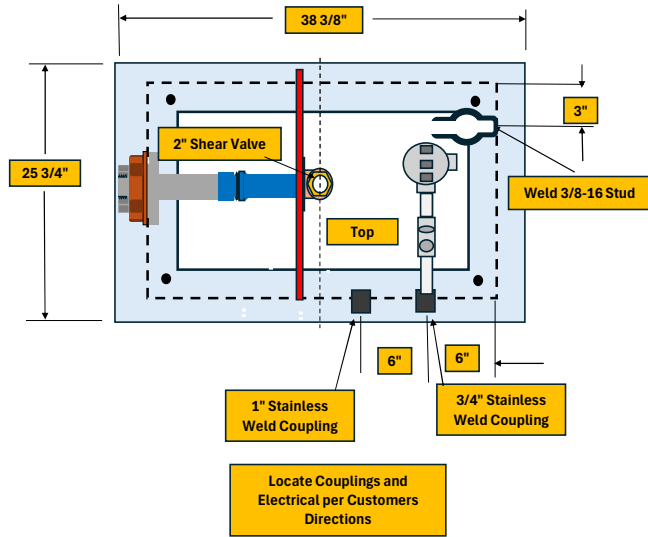
Material: 12 Gauge 304 Stainless Steel

This Layout is for the AtlasX 8853GTW1M or AtlasX 9153GTW1M Dispensers  
Side Outlet Configuration

**Diversified Products Manufacturing Inc**  
AtlasX 8853G or 9153G Series - Flush Mounted - Under Dispenser Containment

Revision: New  
By: jwr  
Date: 7.14.2024

Graphics



Description	Parts List Qty	Product Number
AtlasX 8853 or 9153 Flush Mtd UDC	1	ESA FM SS

Options

Powder Coated Steel Sump	<input type="checkbox"/>
Alarm Sensor by DPM	<input type="checkbox"/>

Material: 12 Gauge 304 Stainless

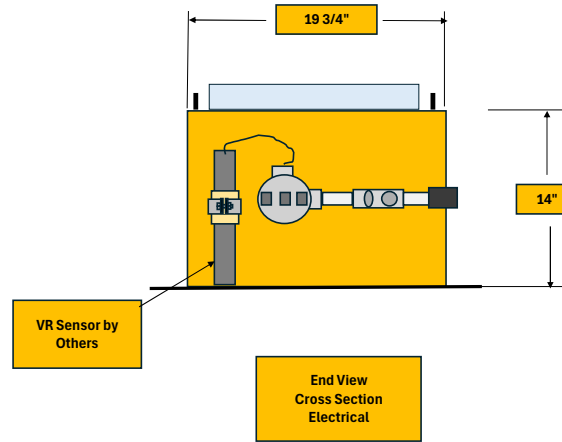
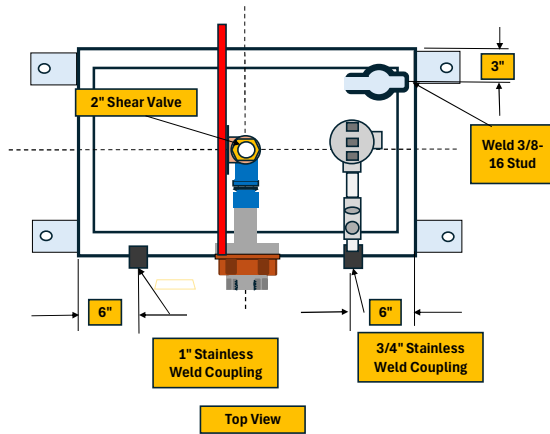
This Layout is for the AtlasX 8853GTW1M or AtlasX 9153GTW1M Dispensers  
End Outlet Configuration

**Diversified Products Manufacturing Inc**  
AtlasX 8800 & 9100 - Flush Mounted - Under Dispenser Containment

Revision: New  
By: jwr  
Date: 7.14.2024

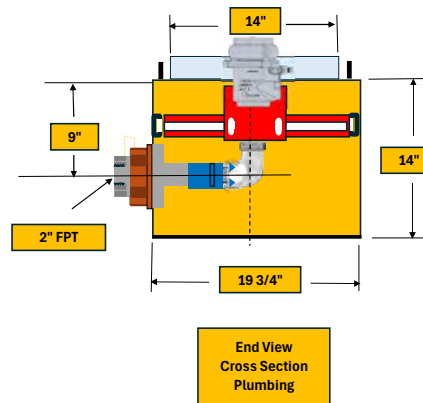
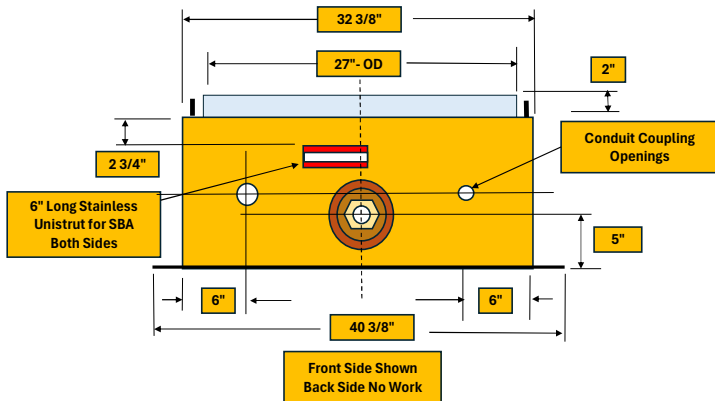
Graphics 

Description	Parts List Qty	Product Number
AtlasX 8853 or 9153 Surface Mtd UDC	1	ESA-SM-SS



Options

Powder Coated Steel Sump	<input type="checkbox"/>
Alarm Sensor by DPM	<input type="checkbox"/>



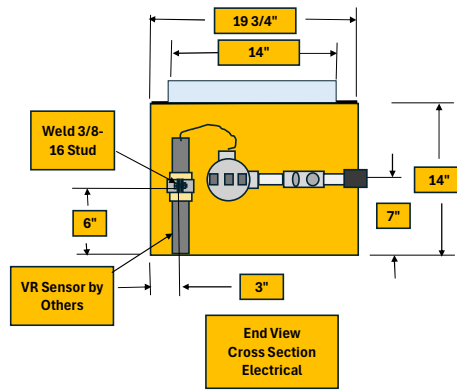
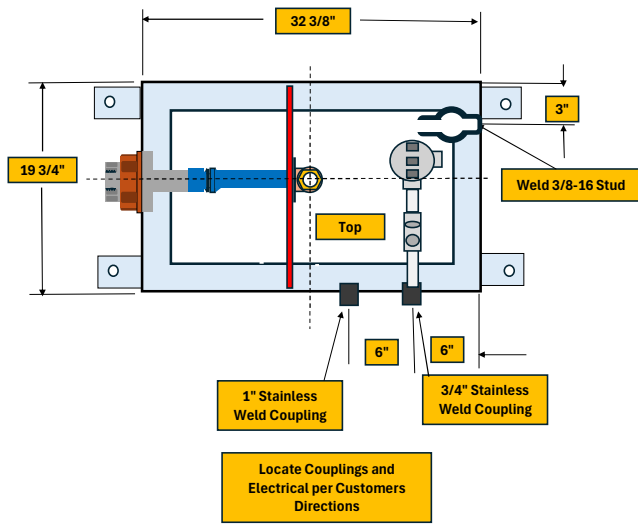
Material: 12 Gauge 304 Stainless Steel

This Layout is for the AtlasX 8853GTW1M  
or AtlasX 9153GTW1M Dispensers  
Side Outlet Configuration

**Diversified Products Manufacturing Inc**  
 AtlasX 8853G or 9153G Series - Surface Mounted - Under Dispenser Containment  
 Revision: New  
 By: jwr  
 Date: 7.14.2024

Graphics 

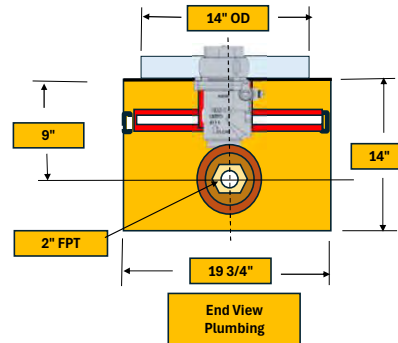
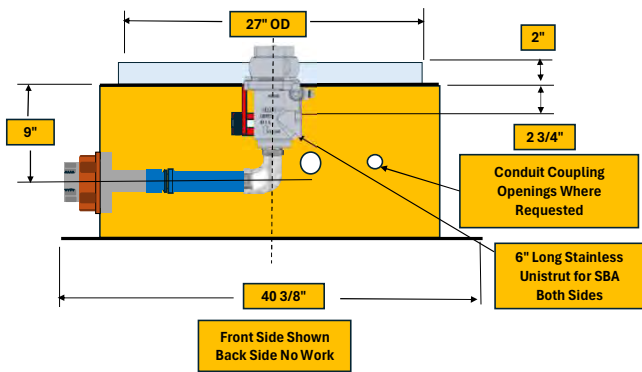




Description	Parts List Qty	Product Number
AtlasX 8853 or 9153 Surface Mtd UDC	1	ESA-SM-SS

Options

Powder Coated Steel Sump	<input type="checkbox"/>
Alarm Sensor by DPM	<input type="checkbox"/>



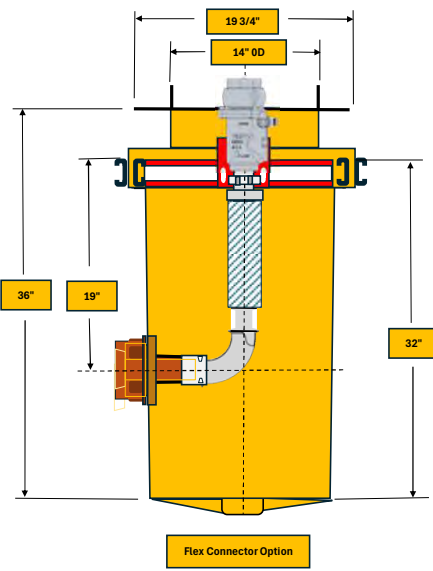
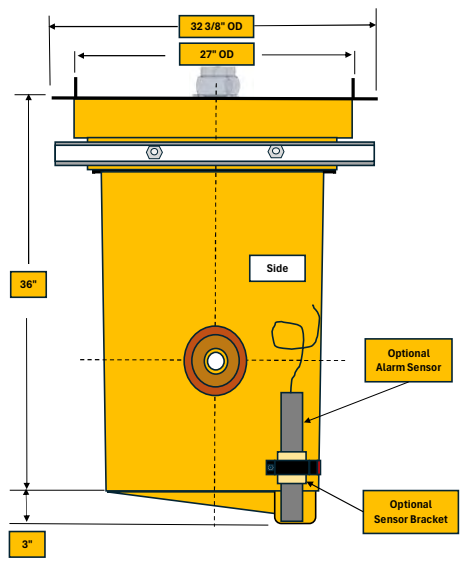
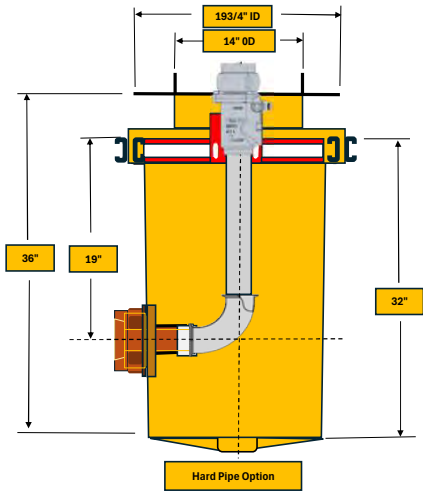
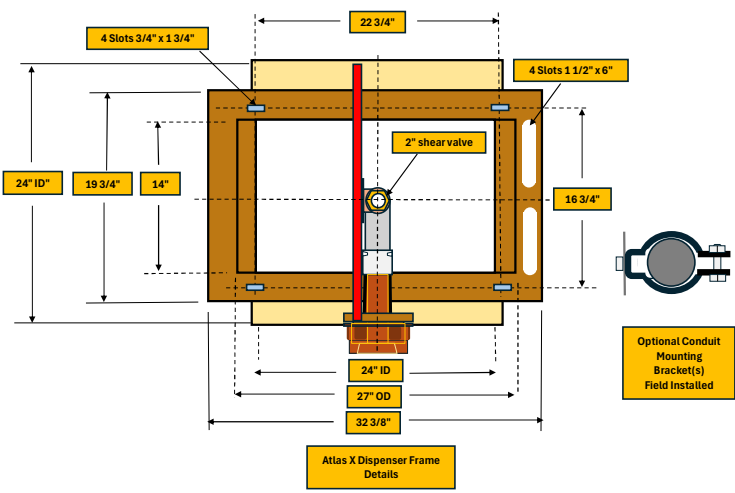
This Layout is for the AtlasX 8853GTW1M or AtlasX 9153GTW1M Dispensers End Outlet Configuration

Material: 12 Gauge 304 Stainless

**Diversified Products Manufacturing Inc**  
 AtlasX 8853G or 9153G Series - Surface Mounted - Under Dispenser Containment  
 Revision: New  
 By: jwr  
 Date: 7.14.2024



Graphics




Material: Virgin Fiberglass 1/4" Wall Standard - Isophthalic Resin

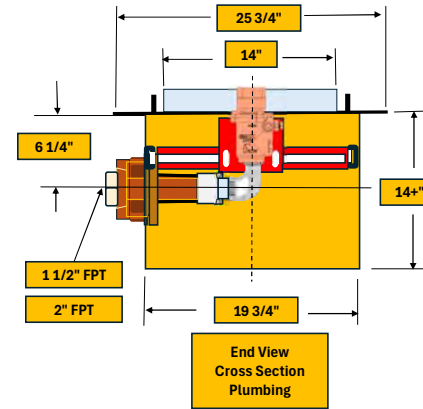
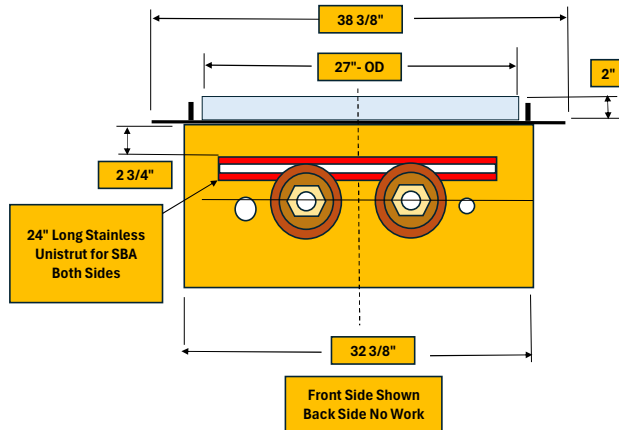
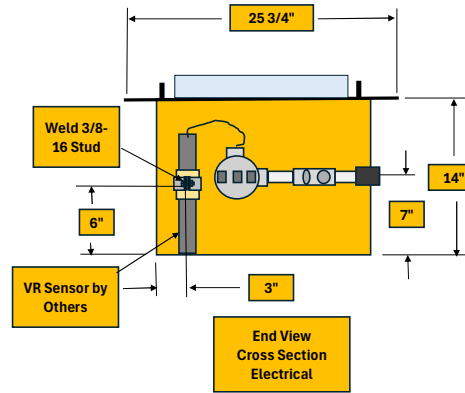
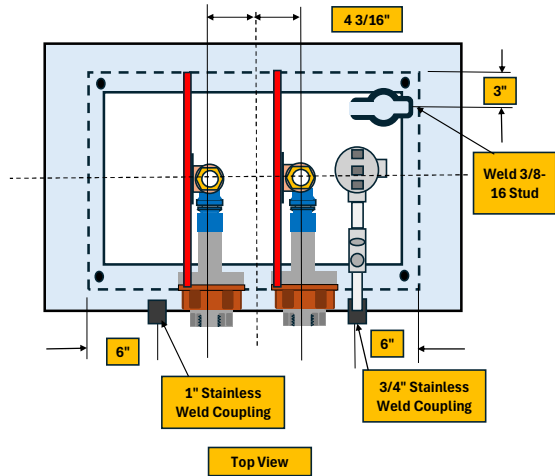
Description	Parts List	Qty	Product Number
AtlasX 8853G or 9153G Below Grade UDC		1	ESA BG

- Options
- Alarm Sensor by DPM
  - Sensor Bracket Installed by DPM
  - Hard Pipe in Lieu of Flex Connector
  - 3/4" & 1" Rigid Conduit Mounting Brackets

This Layout is for the AtlasX 8853GTW1M or AtlasX 9153GTW1M Dispensers Below Grade UDC

<b>Diversified Products Manufacturing Inc</b>	
AtlasX 8800 & 9100 - Below Grade - Under Dispenser Containment	
Revision:	New
By:	jwr
Date:	8.14.2024

**Graphics** 



Description	Parts List	Qty	Product Number
AtlasX 8853 or 9153 Flush Mtd UDC		1	ESA FM SS

**Options**

Powder Coated Steel Sump	<input type="checkbox"/>
2" Penetration Fitting	<input type="checkbox"/>
Stainless Shear Valve	<input type="checkbox"/>
Alarm Sensor by DPM	<input type="checkbox"/>

This Layout is for the AtlasX 8853GXTW2 or  
or AtlasX 9153GXTW2 Dispensers  
Side Outlet Configuration

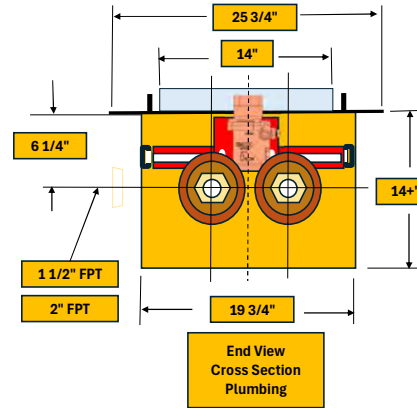
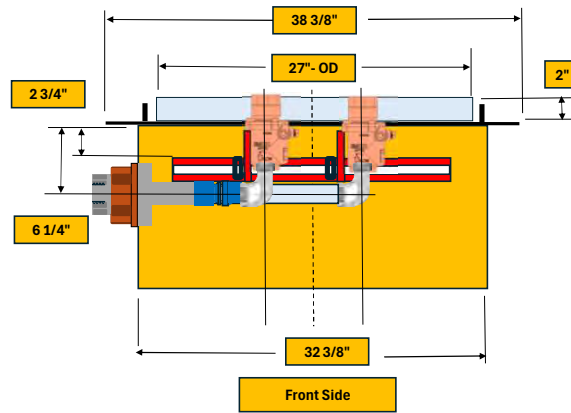
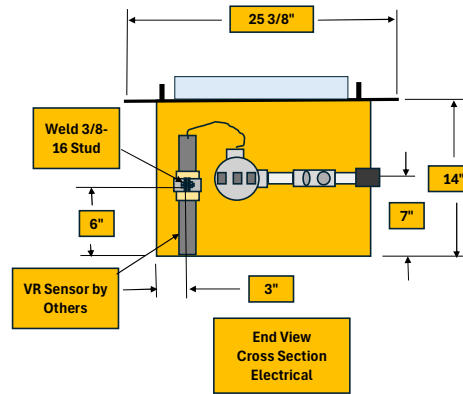
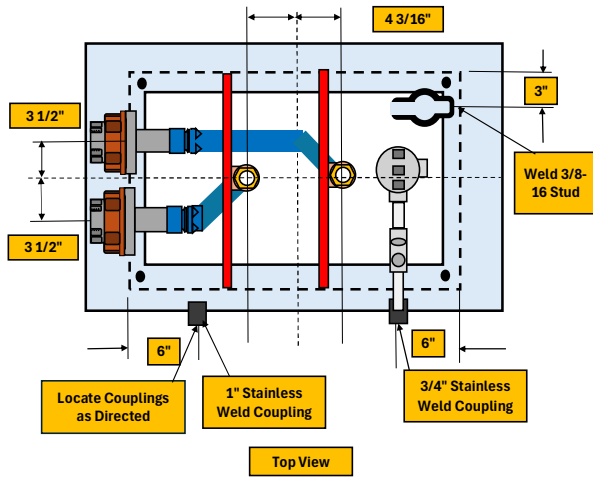
Material: 12 Gauge 304 Stainless Steel

**Diversified Products Manufacturing Inc**  
AtlasX 8800 & 9100 - Flush Mounted - Under Dispenser Containment

Revision: New  
By: jwr  
Date: 7.28.2024

Graphics





Description	Qty	Product Number
AtlasX 8853 or 9153 Flush Mtd UDC	1	ESA FM SS

**Options**

- Powder Coated Steel Sump
- 2" Penetration Fittings
- Stainless Shear Valves
- Alarm Sensor by DPM

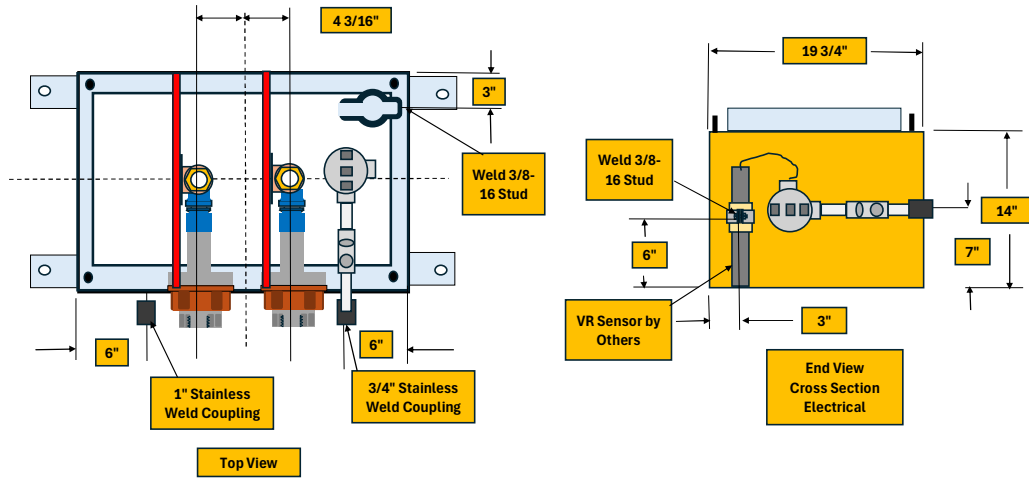
Material: 12 Gauge 304 Stainless Steel

This Layout is for the AtlasX 8853GXTW2 or AtlasX 9153GXTW2 Dispensers  
End Outlet Configuration

**Diversified Products Manufacturing Inc**  
AtlasX 8800 & 9100 - Flush Mounted - Under Dispenser Containment

Revision: New  
By: jwr  
Date: 7.28.2024

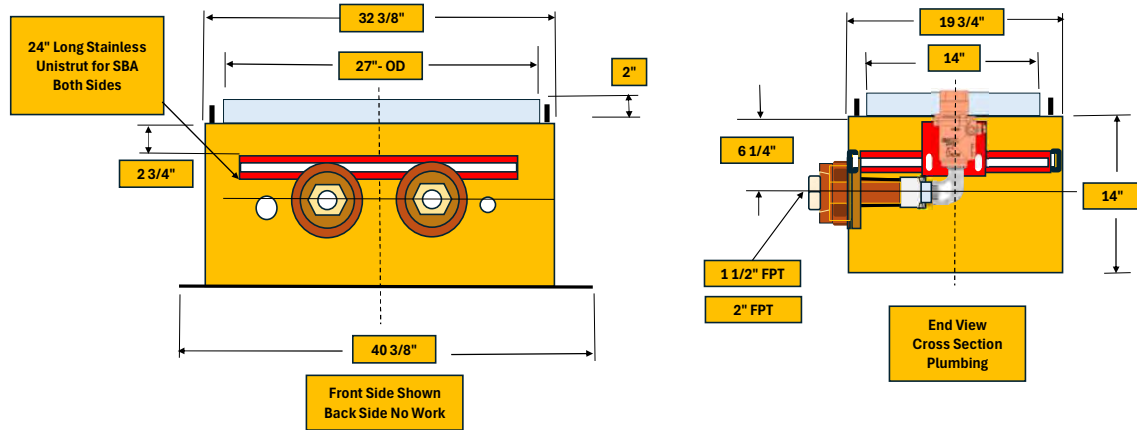
Graphics 



Description	Parts List	Qty	Product Number
AtlasX 8853 or 9153 Surface Mtd UDC		1	ESA-SM-SS

**Options**

Powder Coated Steel Sump	<input type="checkbox"/>
2" Penetration Fittings	<input type="checkbox"/>
Stainless Shear Valves	<input type="checkbox"/>
Alarm Sensor by DPM	<input type="checkbox"/>



Material: 12 Gauge 304 Stainless Steel

This Layout is for the AtlasX 8853GXTW2 or  
AtlasX 9153GXTW2 Dispensers  
Side Outlet Configuration

**Diversified Products Manufacturing Inc**

AtlasX 8800 & 9100 - Surface Mounted - Under Dispenser Containment

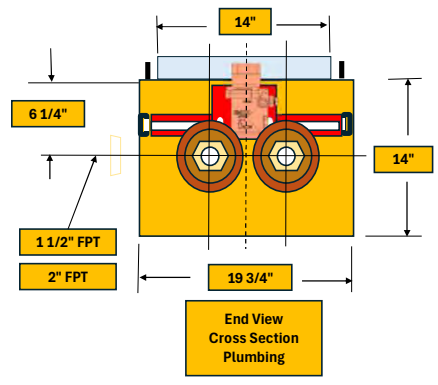
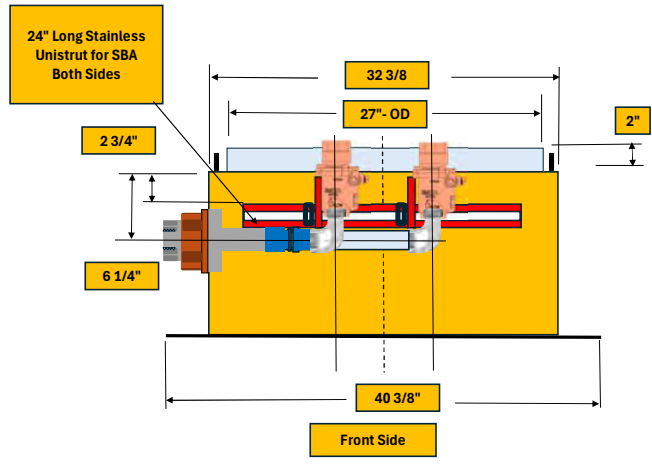
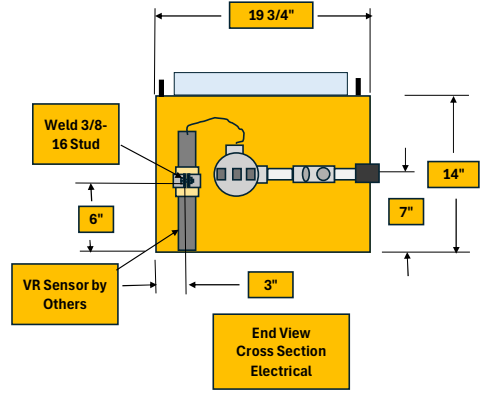
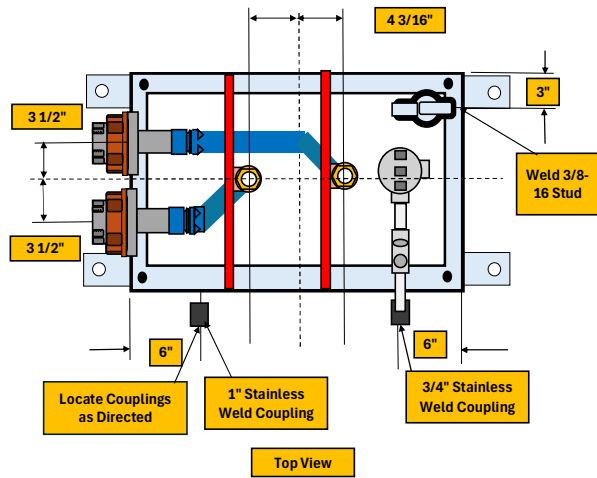
Revision: New

By: jwr

Date: 7.28.2024

Graphics





Description	Parts List	Qty	Product Number
AtlasX 8853 or 9153 Surface Mtd UDC		1	ESA-SM-SS


**Options**

Powder Coated Steel Sump	<input type="checkbox"/>
2" Penetration Fittings	<input type="checkbox"/>
Stainless Shear Valves	<input type="checkbox"/>
Alarm Sensor by DPM	<input type="checkbox"/>

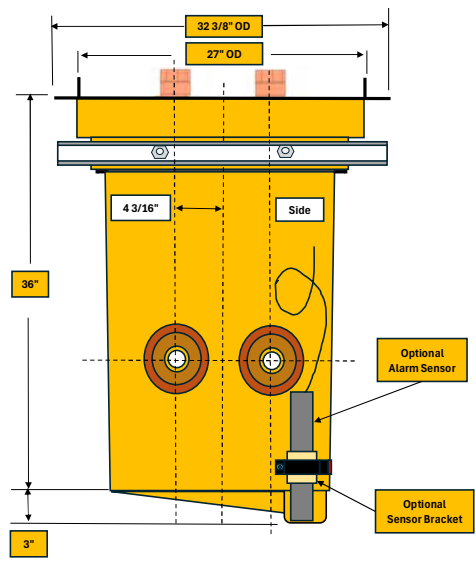
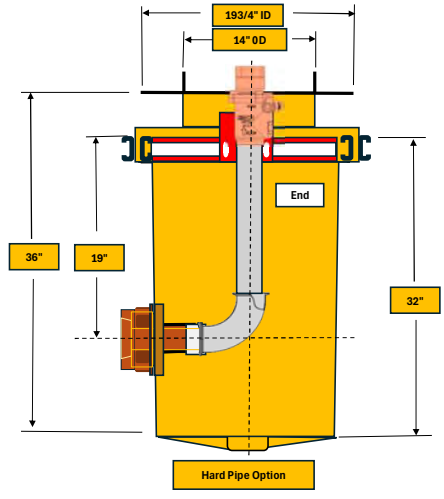
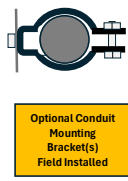
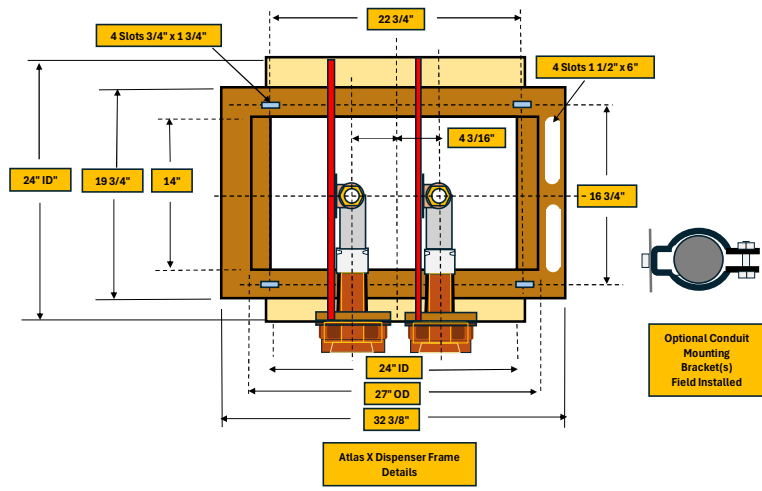
Material: 12 Gauge 304 Stainless Steel

This Layout is for the AtlasX 8853GXTW2 or AtlasX 9153GXTW2 Dispensers  
End Outlet Configuration

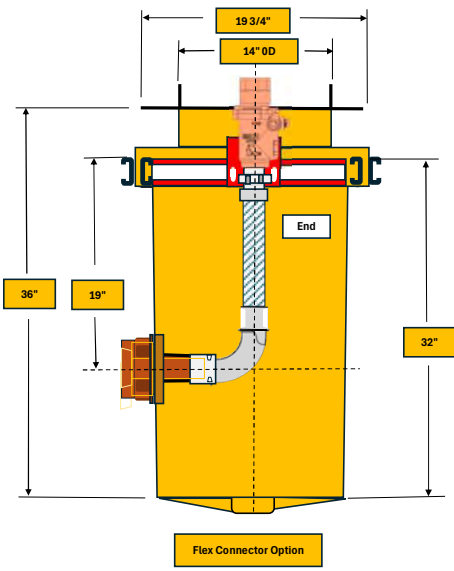
**Diversified Products Manufacturing Inc**  
 AtlasX 8800 & 9100 - Surface Mounted - Under Dispenser Containment  
 Revision: New  
 By: jwr  
 Date: 7.28.2024



Graphics



Material: Virgin Fiberglass 1/4" Wall Standard - Isophthalic Resin




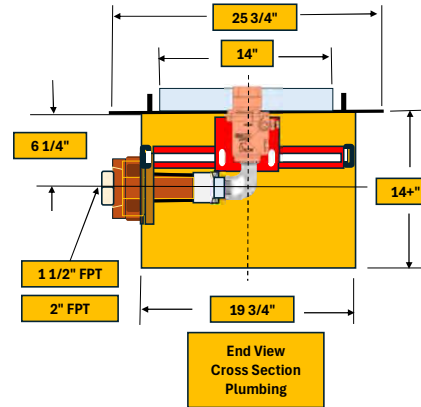
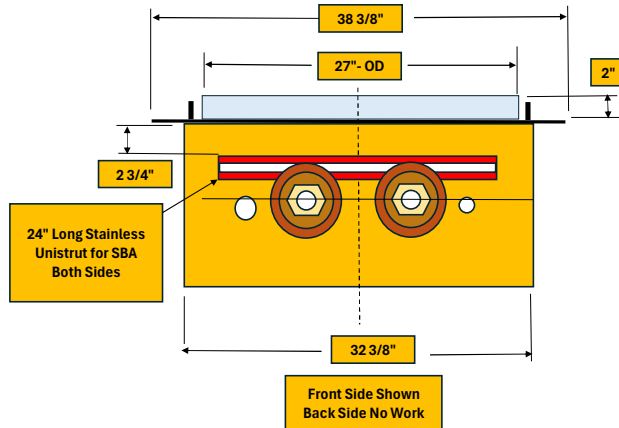
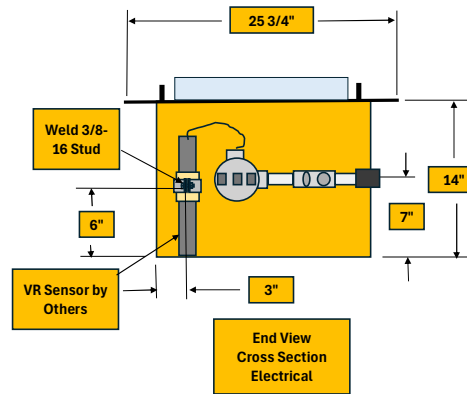
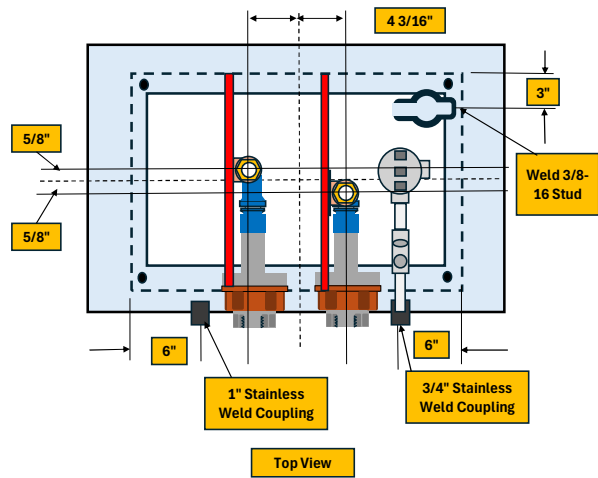
Description	Parts List	Qty	Product Number
AtlasX 8853G or 9153G Below Grade UDC		1	ESA BG

- Options
- Stainless Shear Valve
  - Alarm Sensor by DPM
  - Sensor Bracket Installed by DPM
  - Hard Pipe in Lieu of Flex Connector
  - 3/4" & 1" Rigid Conduit Mounting Brackets

This Layout is for the AtlasX 8853GXTW2 or AtlasX 9153GXTW2 Dispensers Below Grade UDC

Diversified Products Manufacturing Inc	
AtlasX 8800 & 9100 - Below Grade - Under Dispenser Containment	
Revision:	New
By:	jwr
Date:	8.14.2024

Graphics 



Description	Qty	Product Number
AtlasX 8853 or 9153 Flush Mtd UDC	1	ESA FM SS

Options	
Powder Coated Steel Sump	<input type="checkbox"/>
2" Penetration Fittings	<input type="checkbox"/>
Stainless Shear Valves	<input type="checkbox"/>
Alarm Sensor by DPM	<input type="checkbox"/>

Material: 12 Gauge 304 Stainless Steel

This Layout is for the AtlasX 8853GTW2 or AtlasX 9153GTW2 Dispensers Side Outlet Configuration

**Diversified Products Manufacturing Inc**

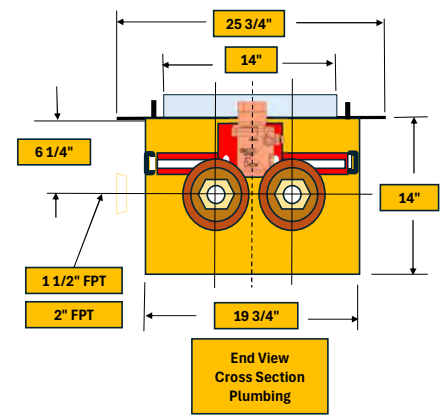
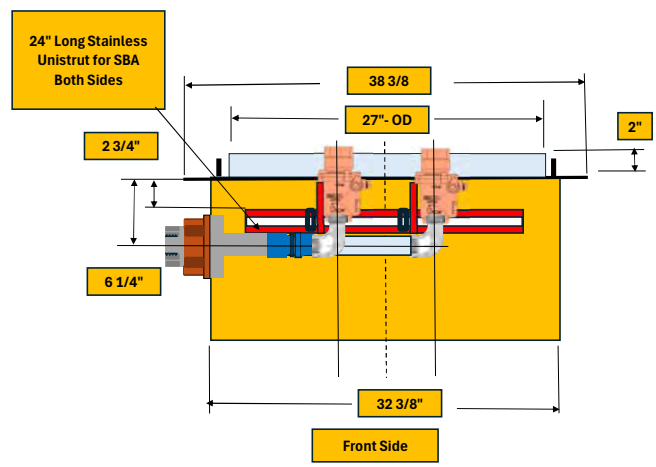
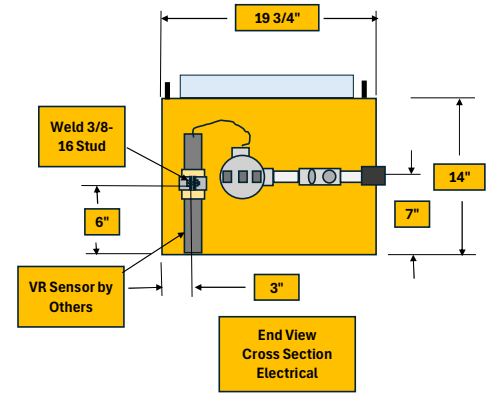
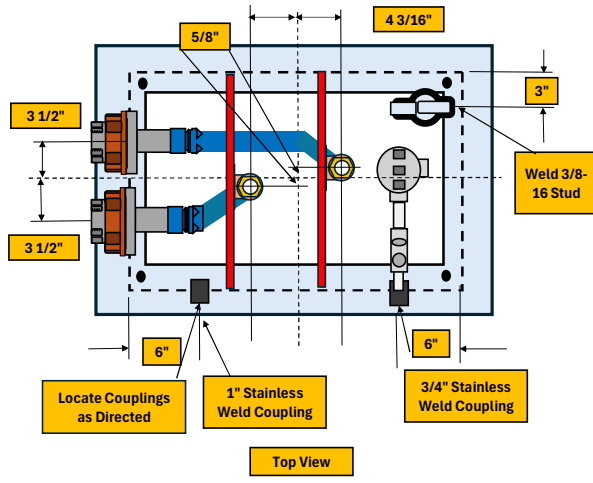
AtlasX 8800 & 9100 - Flush Mounted - Under Dispenser Containment

Revision: New  
By: jwr  
Date: 7.28.2024

Graphics







Description	Qty	Product Number
AtlasX 8853 or 9153 Flush Mtd UDC	1	ESA FM SS

- Options
- Powder Coated Steel Sump
  - 2" Penetration Fittings
  - Stainless Shear Valves
  - Alarm Sensor by DPM

Material: 12 Gauge 304 Stainless Steel

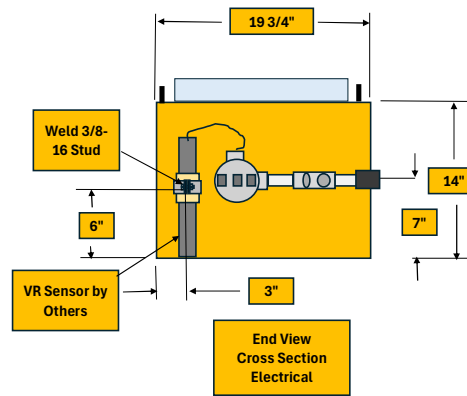
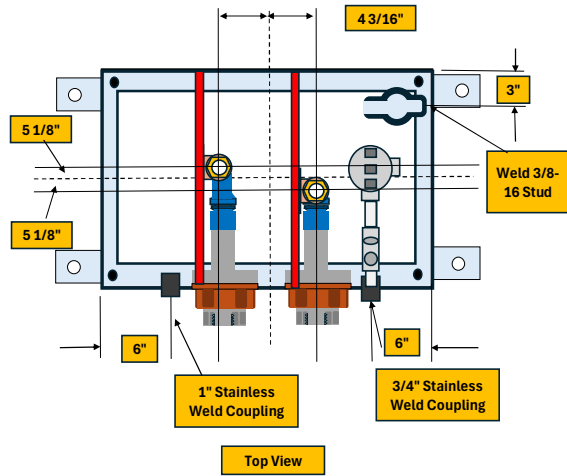
This Layout is for the AtlasX 8853GTW2 or AtlasX 9153GTW2 Dispensers  
End Outlet Configuration

**Diversified Products Manufacturing Inc**  
 AtlasX 8800 & 9100 - Flush Mounted - Under Dispenser Containment

Revision: New  
 By: jwr  
 Date: 7.28.2024

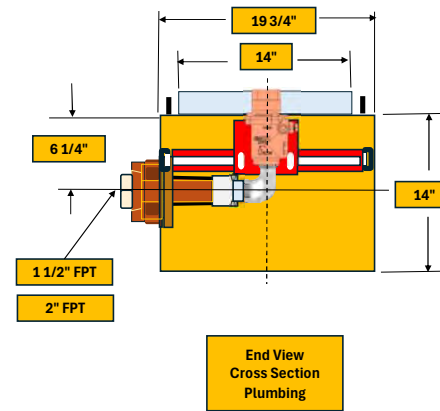
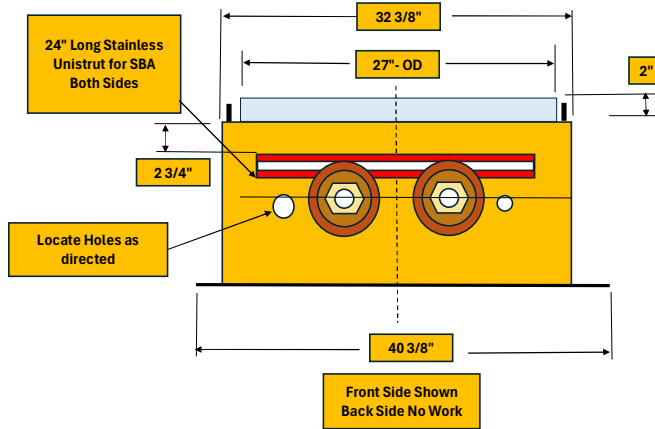
Graphics

Description	Parts List	Qty	Product Number
AtlasX 8853 or 9153 Surface Mtd UDC		1	ESA-SM-SS



Options


Powder Coated Steel Sump	<input type="checkbox"/>
2" Penetration Fittings	<input type="checkbox"/>
Stainless Shear Valves	<input type="checkbox"/>
Alarm Sensor by DPM	<input type="checkbox"/>



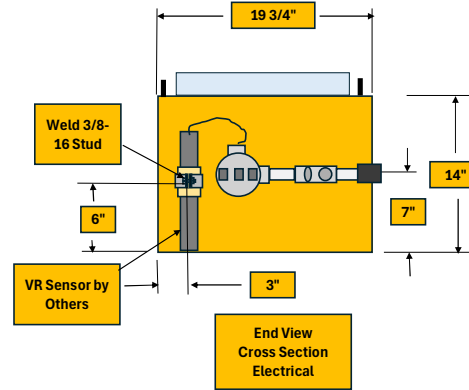
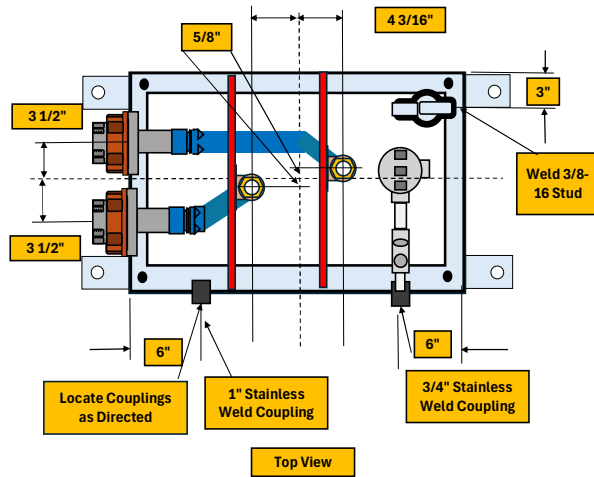
Material: 12 Gauge 304 Stainless

This Layout is for the AtlasX 8853GTW2 or  
or AtlasX 9153GTW2 Dispensers  
Side Outlet Configuration

**Diversified Products Manufacturing Inc**  
 AtlasX 8800 & 9100 - Surface Mounted - Under Dispenser Containment  
 Revision: New  
 By: jwr  
 Date: 7.28.2024

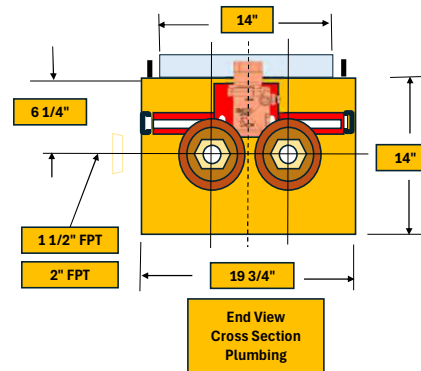
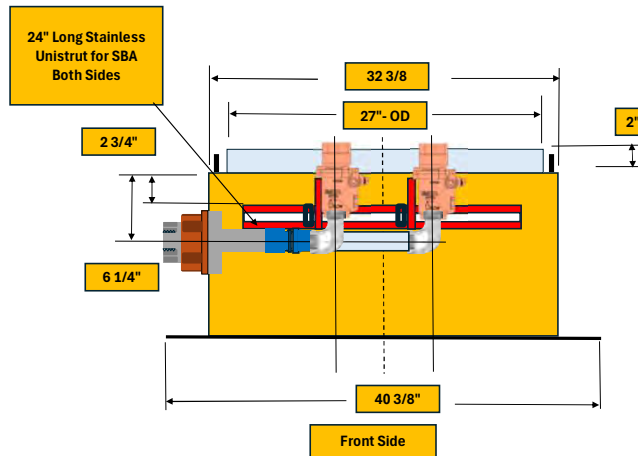
Graphics 

Description	Parts List	Qty	Product Number
AtlasX 8853 or 9153 Surface Mtd UDC		1	ESA-SM-SS



**Options**

- Powder Coated Steel Sump
- 2" Penetration Fittings
- Stainless Shear Valves
- Alarm Sensor by DPM



Material: 12 Gauge 304 Stainless Steel

This Layout is for the AtlasX 8853GTW2 or AtlasX 9153GTW2 Dispensers  
End Outlet Configuration

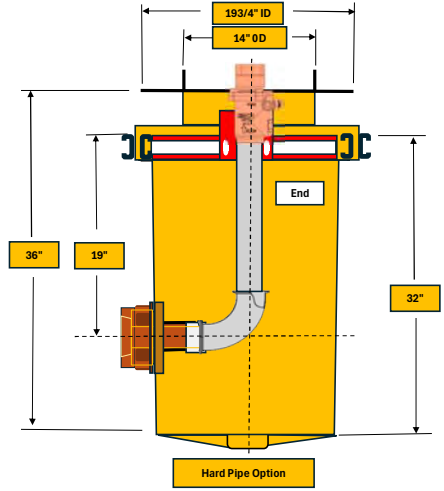
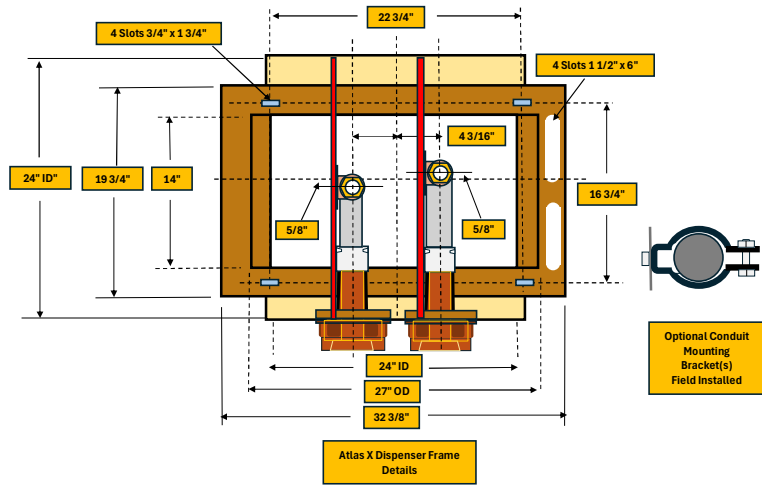
**Diversified Products Manufacturing Inc**

AtlasX 8800 & 9100 - Surface Mounted - Under Dispenser Containment  
Revision: New  
By: jwr  
Date: 7.28.2024

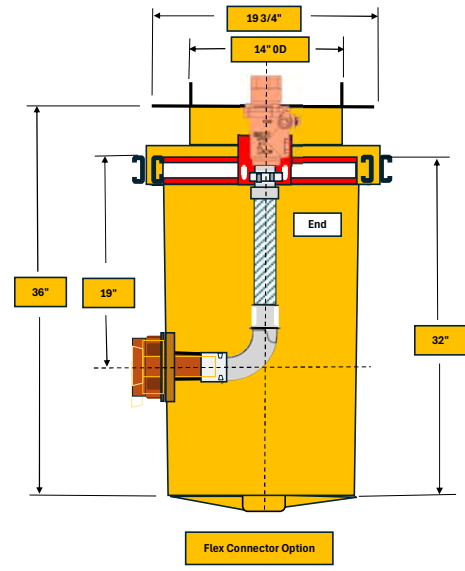
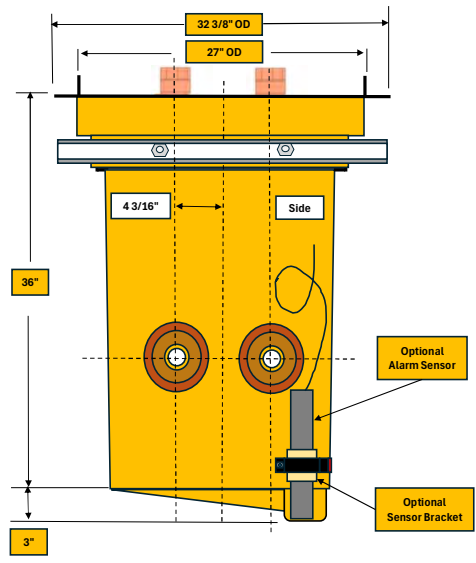
Graphics



Description	Parts List	Qty	Product Number
AtlasX 8853G or 9153G Below Grade UDC		1	ESA BG




- Options**
- Stainless Shear Valve
  - Alarm Sensor by DPM
  - Sensor Bracket Installed by DPM
  - Hard Pipe in Lieu of Flex Connector
  - 3/4" & 1" Rigid Conduit Mounting Brackets



Material: Virgin Fiberglass 1/4" Wall Standard - Isophthalic Resin

This Layout is for the AtlasX 8853GTW2 or AtlasX 9153GTW2 Dispensers Below Grade UDC

<b>Diversified Products Manufacturing Inc</b>	
AtlasX 8800 & 9100 - Below Grade - Under Dispenser Containment	
Revision:	New
By:	jwr
Date:	8.14.2024

Graphics 



TOC

# Reference Data

## Third Party Approval - ROUNDTABLE



Contact Us



October 30, 2020

Mr. Josh Dow  
Diversified Products Manufacturing Inc  
5523 Baggett Marysville Rd  
Oroville, CA 95965

RE: NDE Reference No: NDE20201020  
Third-Party Certification under UL 2447- Outline of Investigation for  
Fittings Accessories for Fuels

Products Evaluated: Split Repair Fittings & Test Reducers for Containment Sumps for  
Fuels PF-Penetration Fittings Series, Sump Entry Fittings and Test  
Reducers  
SR- Split Repair Sump Entry Fittings and Test Reducer Series  
FG/PG Spilt Repair Series  
CH- Series, All Chemicals used in the installation process  
SU- Sumps and Accessories

Dear Mr. Dow,

In reference to the above listed products, our testing partner on this project (N.D. Eryou,  
PhD, PE) has performed our UL 2447 Third-Party inspection and testing. All products  
listed were determined to comply with the "Outline of Investigation for Fittings and  
Accessories for Fuels".

It is our opinion that both the design and materials used in the above products are based  
on sound engineering principles and the materials are compatible with all motor fuels and  
additives currently being used including fuels containing >10% ethanol or 20% biodiesel.  
Therefore, the Spill Containment Liner should have the same chemical resistance to the  
UL 2447 test fuels as the DPM "Products Evaluated" listed above.

Disclaimer: Underwriters Laboratories (UL) is an independent testing laboratory and use  
of, in any way, of the UL Listing or Registered Trade Mark UL is prohibited unless  
specifically authorized by Underwriters Laboratories.

Very truly yours,

*Brian E Lewis*  
Brian E Lewis, PE



Roundtable Engineering Solutions, Inc  
660 Southpointe CT, Unit 300G  
Colorado Springs, CO 80906



# Reference Data



## Third Party Approval - N.D. ERYOU



**Southwest Florida Office**  
5051 Castello Drive, Suite 244  
Naples, FL 34103

**Central Florida Office**  
1460 Breezy Way  
Spring Hill, FL 34608  
(352) 684-7275  
Alex@eryouengineering.com

**New Jersey Office**  
107 Lincoln Avenue  
Florham Park, NJ 07932  
(973) 919-6842  
Robert@eryouengineering.com

### NOTICE OF COMPLETION OF THIRD-PARTY UL 2447 EVALUATION

February 3, 2021

Mr. Josh Dow  
Diversified Products Manufacturing Inc  
5523 Baggett Marysville Rd  
Oroville, CA 95965

RE: NDE Reference No: NDE20201020  
Third-Party Certification under UL 2447- Outline of Investigation for  
Fittings Accessories for Fuels

Products Evaluated: Split Repair Fittings & Test Reducers for Containment Sumps for Fuels  
PF-Penetration Fittings Series, Sump Entry Fittings and Test Reducers  
SR- Split Repair Sump Entry Fittings and Test Reducer Series  
FG/PG Spilt Repair Series  
CH- Series, All Chemicals used in the installation process.  
SU - Sumps and Accessories

Dear Mr. Dow

In reference to the above listed products, we have performed our UL 2447 Third-Party inspection and testing. All products listed were determined to comply with the "Outline of Investigation for Fittings and Accessories for Fuels".

It is our opinion that both the design and materials used in the above products are based on sound engineering principles and the materials are compatible with all motor fuels and additives currently being used including fuels containing >10% ethanol or 20% biodiesel. Therefore, the Spill Containment Liner should have the same chemical resistance to the UL 2447 test fuels as the DPM "Products Evaluated" listed above.

Further to your recent request with regard to your Canadian distributors utilization of the above test results, we have compared the testing requirements of UL (US) 2447 with CAN/ULC-S664:2017 and found them to be virtually identical.

There were only two differences that we found between the two Codes.

1. ULC S664 Section 5.8.5 "Extreme Low Temperature Impact Test – requires testing at -40°F and our tests were conducted at a minimum temperature of -30°F.

2. ULC S664 Section Appendix B 1.1 Defines 21 specific grades of fuel while UL US defines four grades of fuel, which covers the wide range of fuels commonly used by gasoline and diesel-powered vehicles.

Furthermore, we have reviewed the UL (US) website which contains the following relevant statement confirming the sharing of UL specifications between UL – US and UL - Canada:

#### **“UL STANDARDS: ACCREDITED IN THE US AND CANADA**

In the US, UL is accredited by the American National Standards Institute (ANSI) as an audited designator. In 2013, UL was accredited by the Standards Council of Canada (SCC) as a nationally recognized Standards Development Organization (SDO) able to develop National Standards of Canada (NSCs).

UL's Standards Technical Panels (STPs) serve as the consensus body for both American National Standards (ANS) and National Standards of Canada (NSC). Essential information About UL's standards development programs, how to Access Standards, and how to participate in the UL programs used to Develop Standards is available on this site.”

It should not be inferred that our test of DPM products addresses the issue of long-term quality control issues as both UL (US) and UL Canada do with their annual subscription programs.

Disclaimer: Underwriters Laboratories (UL – US & UL - Canada) are independent testing laboratories and use of, in any way, of the UL Listing or Registered Trademark UL is prohibited unless specifically authorized by Underwriters Laboratories (US or Canada).

Very truly yours,



N.D. Eryou, Ph.D., P.E.  
Eryou Engineering  
[dennis@eryouengineering.com](mailto:dennis@eryouengineering.com)



TOC



Contact Us

# "Dare to Compare"

## UDC's for AtlasX



Diversified Products has been producing quality products since 1991. Gasboy recently introduced their Next-Gen Commercial Refueling Dispensers. The following comparisons represent features available in published literature by the three companies at the end of August 2024. In time all products change. Diversified's staff believes this information to be accurate and beneficial to our customer base at this time.

Features	Diversified	Morrison	S Bravo
<b>Above Grade Units</b>			
Surface Mounted UDC to AtlasX Dimensions	32 3/8"x19 3/4"	22 1/4"x12"	36"x20"
Flush Mounted UDC to AtlasX Dimensions	32 3/8"x19 3/4"	n/a	36"c20"
Sensor Mounting Brackets	yes	no	no
Pre-Fabricated	yes	no	no
1 1/2" & 2" Female Pipe Thread on Penetrations	yes	n/a	no
Sensor installed by Manufacturer Option	yes	n/a	no
<b>Below Grade Units</b>			
Below Grade UDC to AtlasX dimensions	32 3/8"x19 3/4"	n/a	37"x28"
Double Wall Option	yes	n/a	yes
Stainless Steel Frame & Stabilizer Bar Options	yes	n/a	?
Sensor Mounting Brackets	yes	n/a	no
Pre-Fabricated	yes	n/a	no
Sensor Installed by Manufacturer Option	yes	n/a	no





Contact Us

## Warranty

**Limited Warranty:** Diversified Products Manufacturing Inc. (DPMI) warrants that the products sold under this agreement are free from defects in design, material or workmanship for a period of (3) years on all non chemical products from the date of shipment. **DPMI MAKES NO OTHER WARRANTY WHATSOEVER, EXPRESSOR OR IMPLIED, WITH RESPECT TO THE GOODS OR WITH RESPECT TO THE MERCHANTABILITY OF THE GOODS OR THE FITNESS OF THE GOODS FOR ANY PURPOSE.** DPMI's sole obligation with respect to any defect in any of the products will be, at DPMI's option, to repair or replace the item or to refund, in the form of a credit on account, the purchase price for that item. Where practical, parts must be returned to DPMI for evaluation. DPMI will not be liable for costs of labor or other costs with the replacement of the defective item. DPMI will not be responsible for any damage to the environment or any other damage associated with the use of the product. To the maximum extent permitted by law, Buyer waives any claim against DPMI by reason of any such defect or any breach of DPMI's warranty herewith; and, without limiting the foregoing, any claim for indirect, incidental or consequential damages. Customer confirms that it has relied, is relying and will rely only on DPMI's warranty and understanding above, and that Buyer has not relied, is not relying and will not rely on any other statements, promise, affirmation, sample or model, any of which are superseded by this agreement. This warranty is conditional of Buyer promptly notifying DPMI of any alleged defect. Any product purchased by DPMI for use on or in conjunction with the Products which are manufactured by DPMI, DPMI extends to Buyer only the warranty that the product of vendor granted to DPMI.

## Terms & Conditions of Sale

**Payment:** DPMI offers a 3% 10 day discount (less freight) from the date of invoice not the date of receipt of goods. Where a prompt payment discount is offered, funds must be received by DPMI by the 10th day following the date of invoice. Should diversified not receive payment in a timely fashion credit terms will be revoked. For payments received beyond 10 days where a discount is taken, Diversified will invoice for the discount taken. These invoices are due upon receipt. Typically all international orders are pre-pay before shipping. If any questions arise concerning accounts receivable Buyer shall contact the Credit Department for assistance. In the event of disputes Buyer shall pay the undisputed portion of the invoice within the above time.

**Methods of Payment:** Preferred methods of payment are by check by Phone, ACH or EFT. Credit cards while acceptable are not preferred as there is a 4% processing fee charged to the invoice. If Buyer chooses to wire funds, buyer is responsible for all bank charges both at Buyers end and DPMI's end. DPMI will invoice Buyer for all shortages on wire transfers. Such shortages must be made up within 30 days or with the next order.

**Delivery:** Sales are F.O.B. DPMI's factory. This means that the title to goods passes to the customer when the carrier leaves DPMI's facility. If shipping damage or loss should occur, buyer is responsible for filing the freight claim with the carrier. Buyer is responsible for noting any damage on the carrier's bill of lading. DPMI will assist in the filing of freight claims if requested to do so by the buyer. Buyer shall report any concealed damage or shortages in the Product to DPMI within (5) working days from the date of delivery.

Should a loss of product occur, after it has been shipped, Buyer is liable for payment of the original invoice as well as for invoices created for products shipped to replace lost or damaged goods. While Diversified may provide assistance to Buyer in filing a claim, financial recover of the loss is between the freight carrier and the Buyer.



**TOC**



**Contact Us**

**Diversified Products Manufacturing Inc.  
Diversified Distribution Centers of California**

**5523 Baggett Marysville RD  
Oroville CA 95965**

**Phone: 530-534-3966  
E-Mail: Sales@DPM-LLC.com  
Web: www.dpm-co.com**

**Operations Manager: Josh Dow E-Mail: JoshD@DPM-LLC.com  
Engineering: John Rowe Cell: 530-599-1422, E-mail: JohnR@DPM-LLC.com  
Accounting: Melissa Gorman E-mail: MelissaG@DPM-LLC.com**